



267

零件列表  
Parts List



# 267

Table of contents	Table / 图表	目录
Arm shaft	1	上轴
Upper feed, feed- and needle bar	2	上送料、下送料和针送料
Presser bar	3	压杆
Needle feed shaft	4	针送料轴
Feed regulator	5, 6	针距调节机构
Sewing foot lift system	7	抬压脚机构
Arm cover and pretension	8	机壳顶盖和过线预夹紧
Thread tension bearer	9, 10	夹线器
Bobbin winder	11	绕线器
Arm and face cover	12	机壳和面板
Bed plate	13	底板
Slide	14	推板
Hook and hook bearing	15, 16	旋梭和旋梭安装座
Belt pulley	17	皮带轮
Lower shaft	18	下轴
Lifter shaft, feed crank	19	抬牙和送料机构
Stand, maintenance unit	20	机架台板
Sewing lamp and transformer	21	缝纫灯和变压器
<del>Motor package</del>	<del>22</del>	<del>马达包</del>
Accessories	23, 24	附件盒
Sewing equipments		缝纫附件

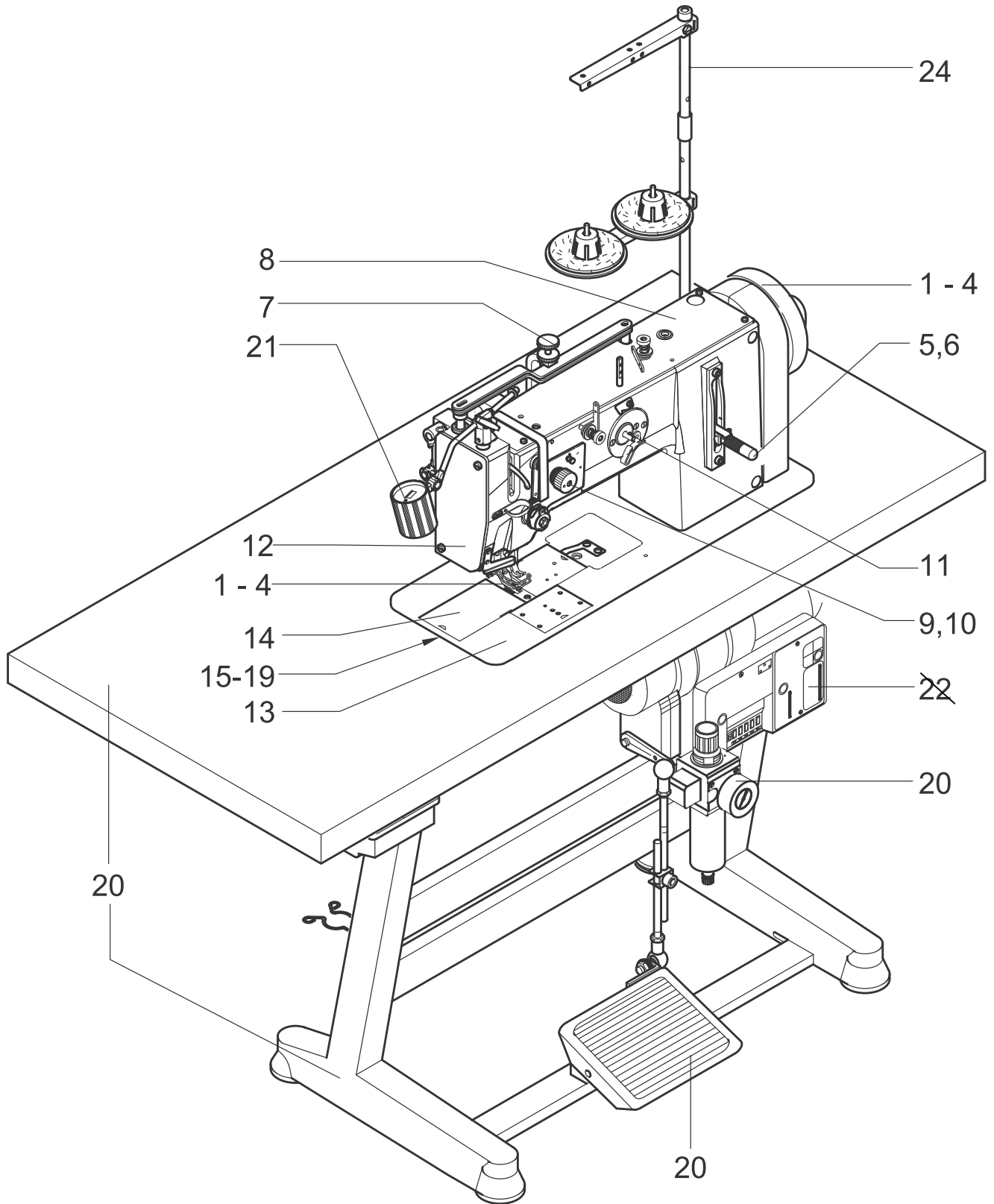
All rights reserved.

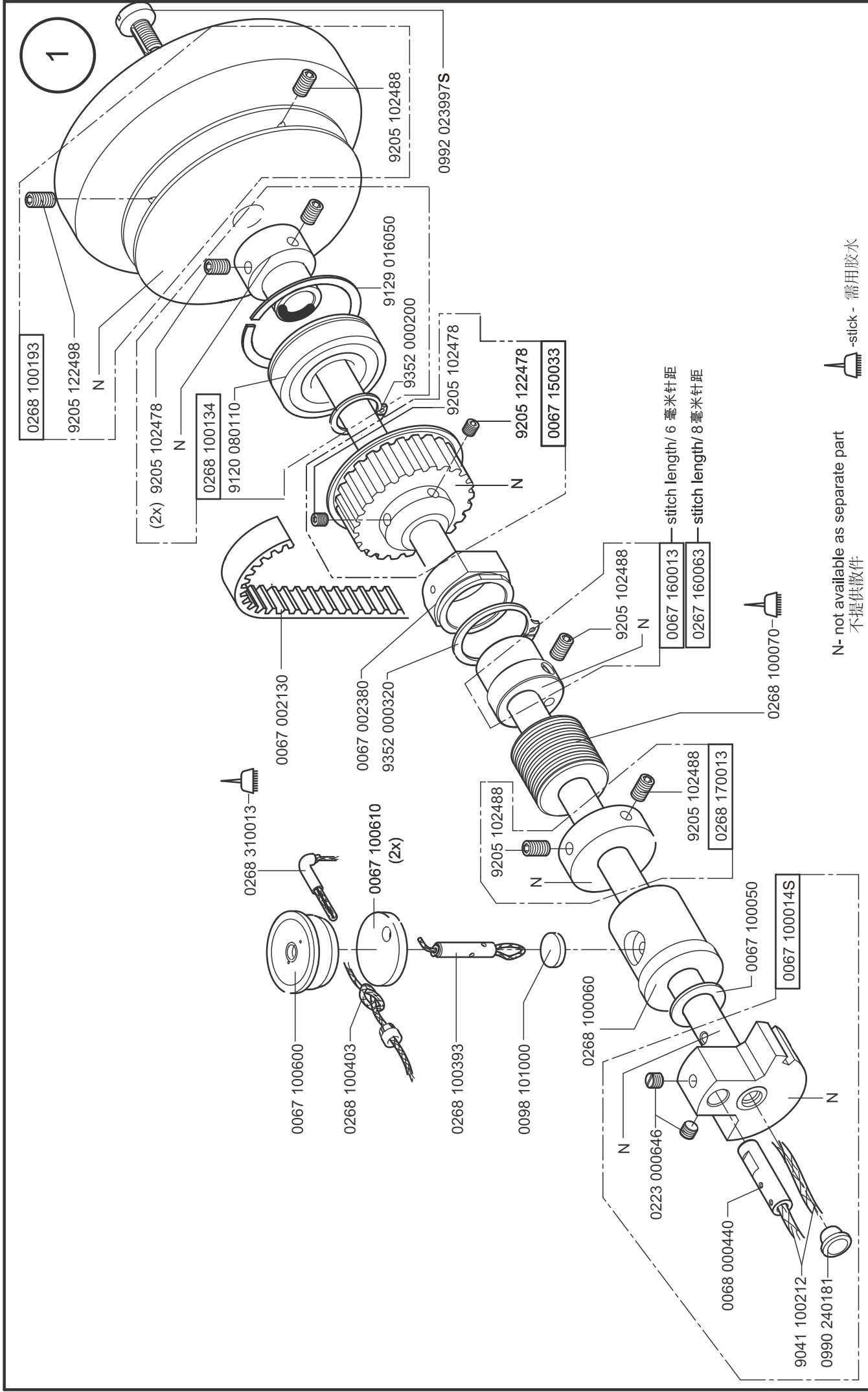
Property of Dürkopp Adler and copyrighted. Reproduction or publication of the content in any manner, even in extracts, without prior written permission of Dürkopp Adler, is prohibited.

版权所有，不许翻印

版权和产权归杜克普爱华股份公司所有。未经杜克普爱华股份公司书面许可，禁止以任何方式翻印或复印本内容，包括摘要。





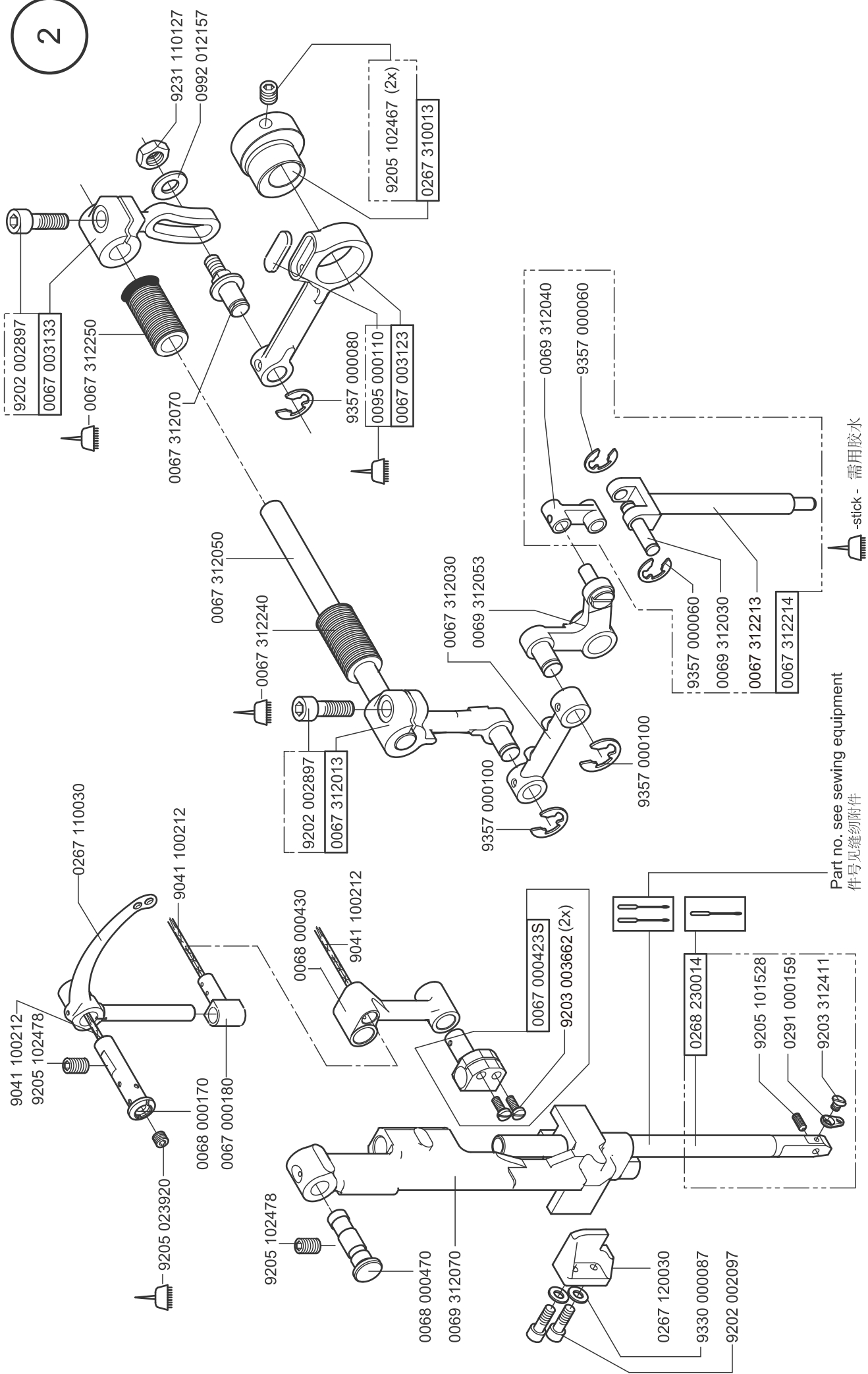


Scale / Scale 50%

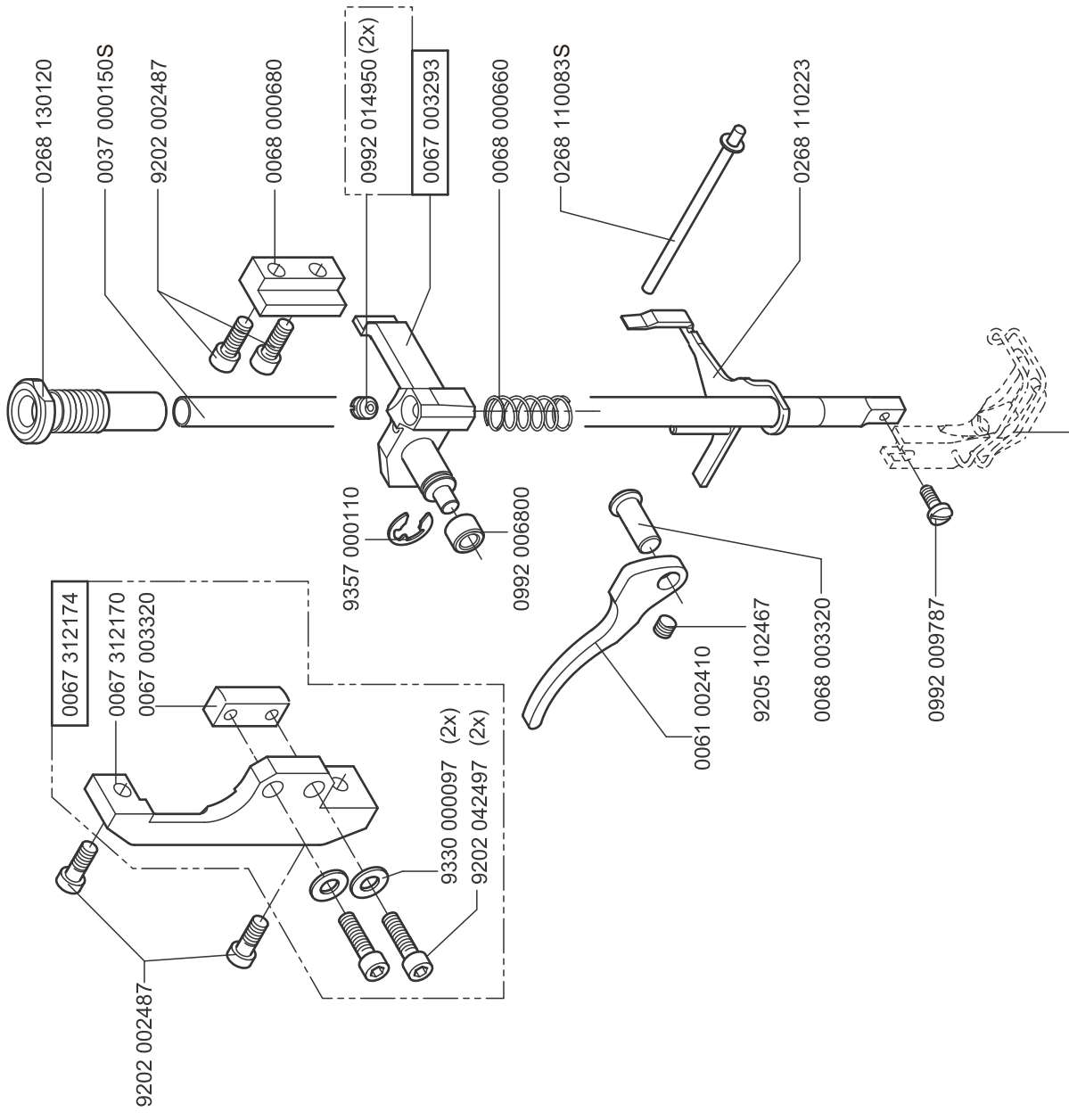
Cl. 267

Edition / 版本 04.2016

2

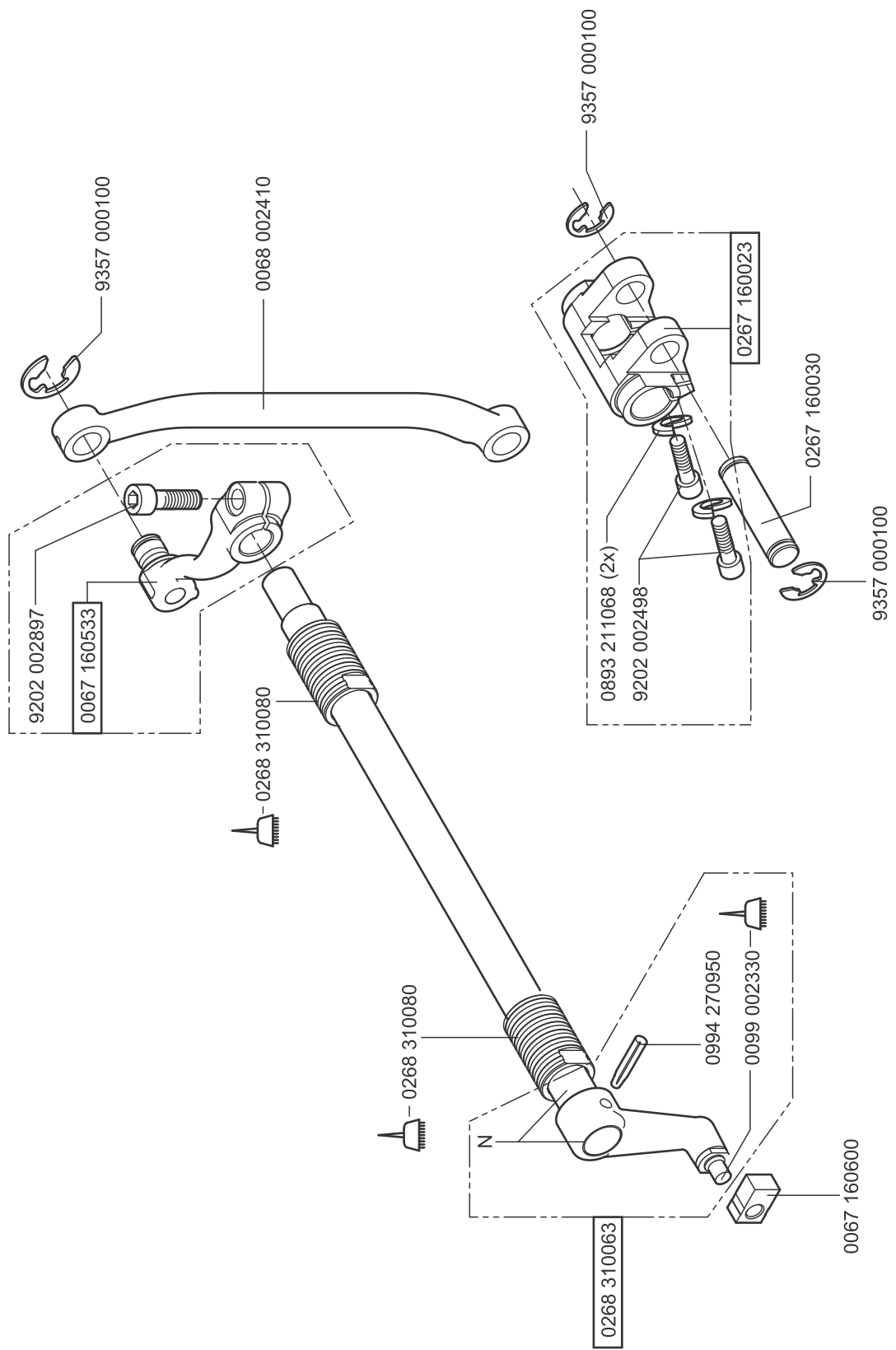


Part no. see sewing equipment  
件号见缝纫附件



Part no. see sewing equipment  
件号见缝纫附件

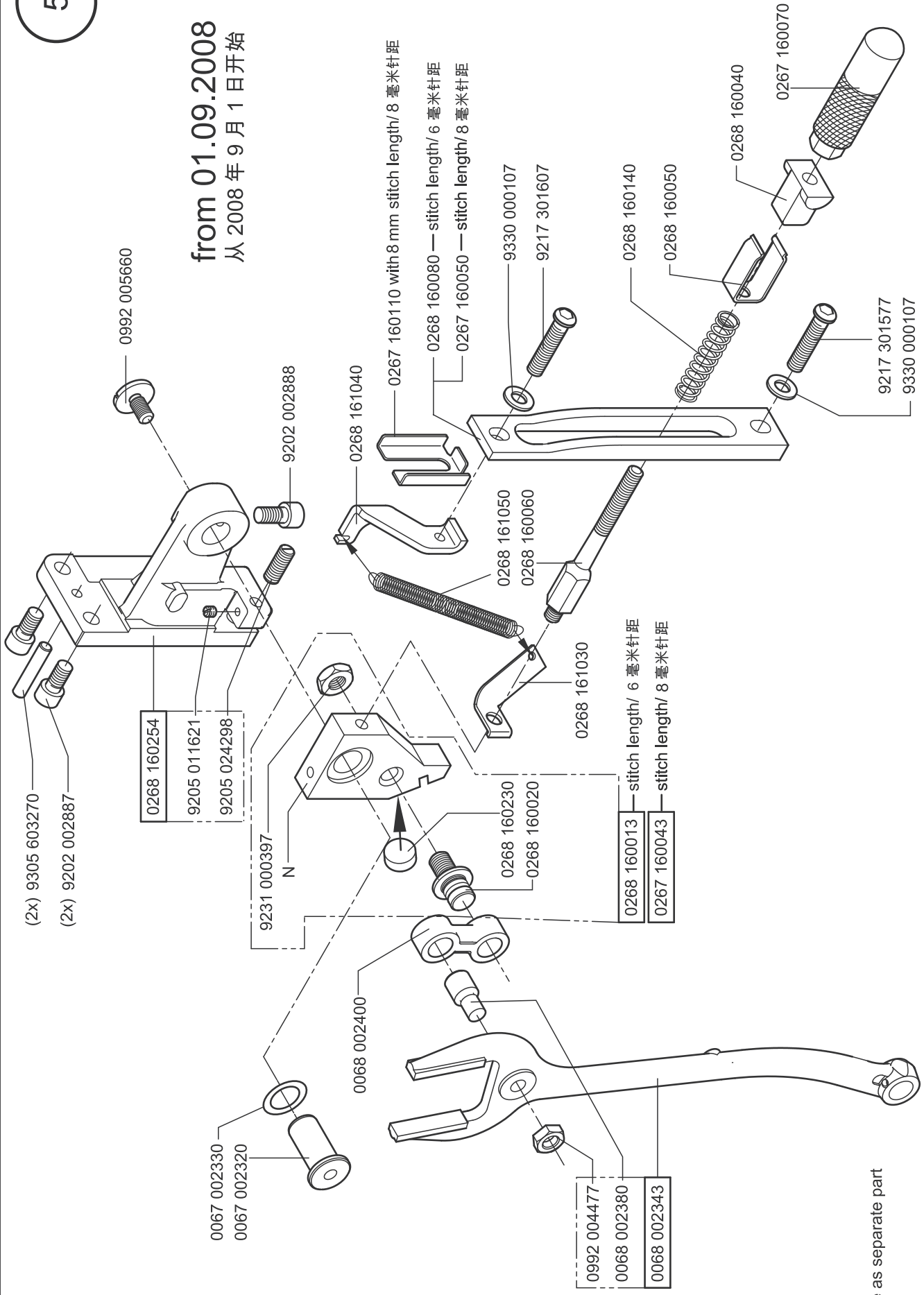




N- not available as separate part  
不提供免费件

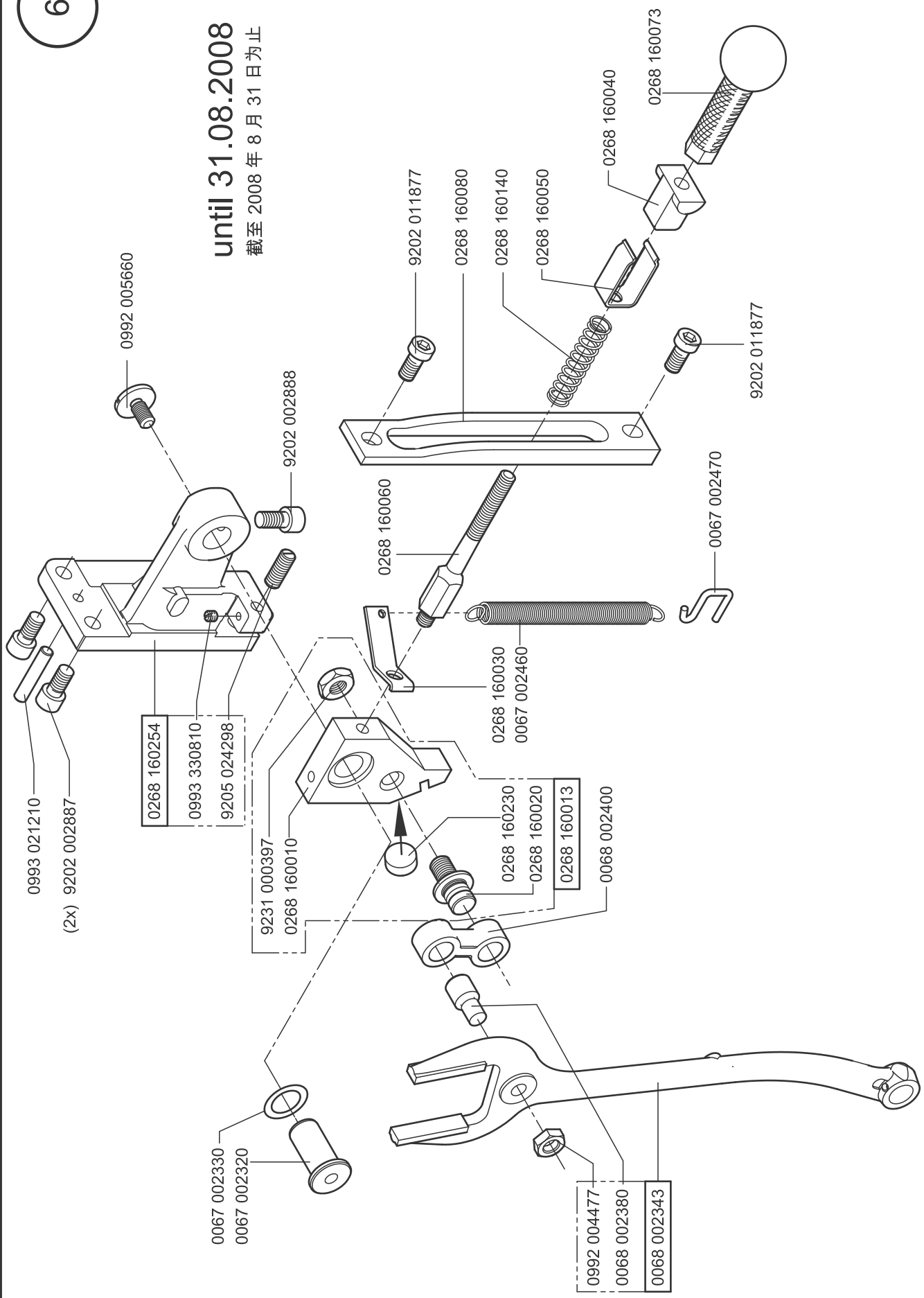
-stick - 需用胶水

from 01.09.2008  
从 2008 年 9 月 1 日开始

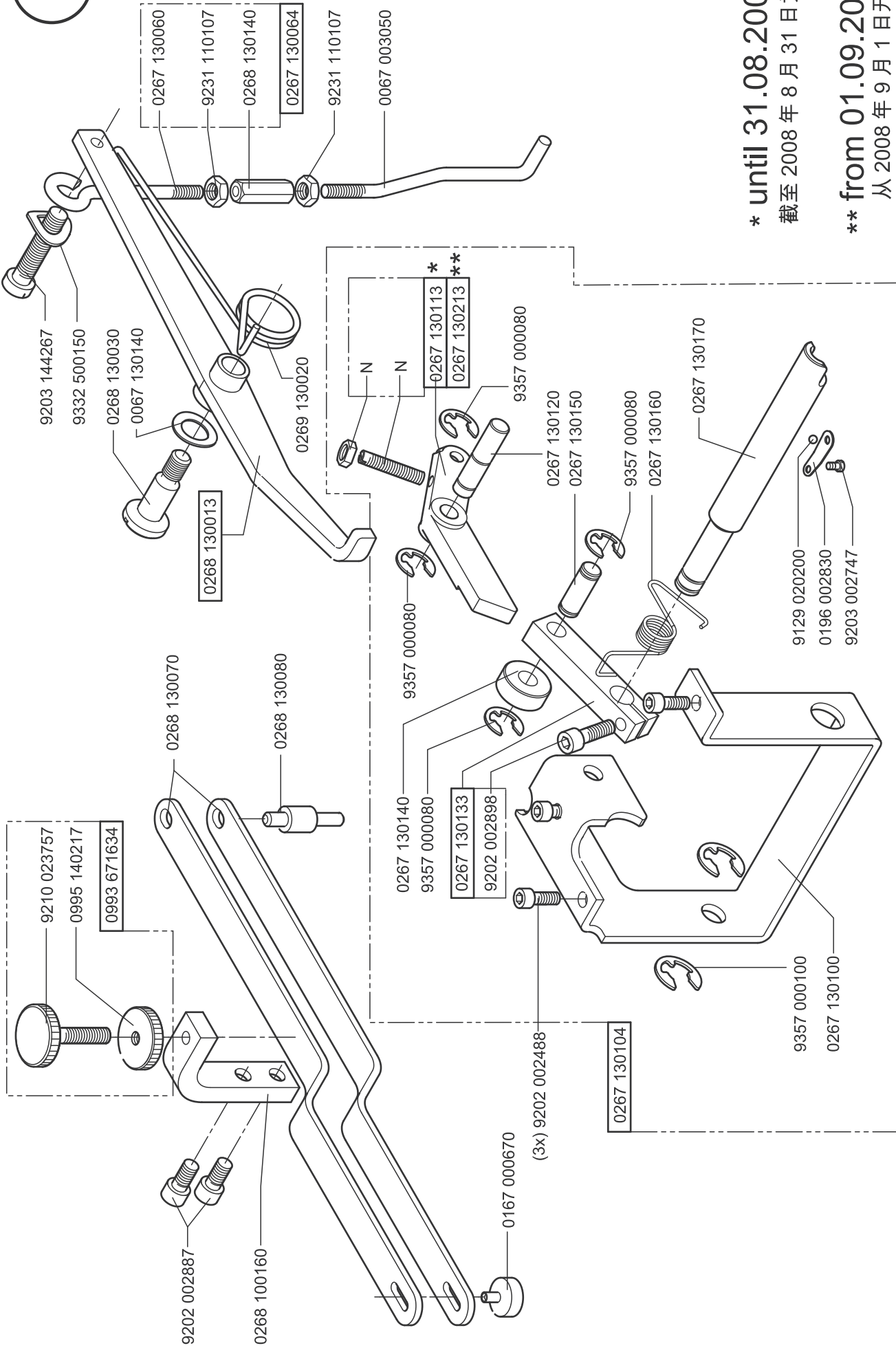


N- not available as separate part  
不提供散件

until 31.08.2008  
截至 2008 年 8 月 31 日为止

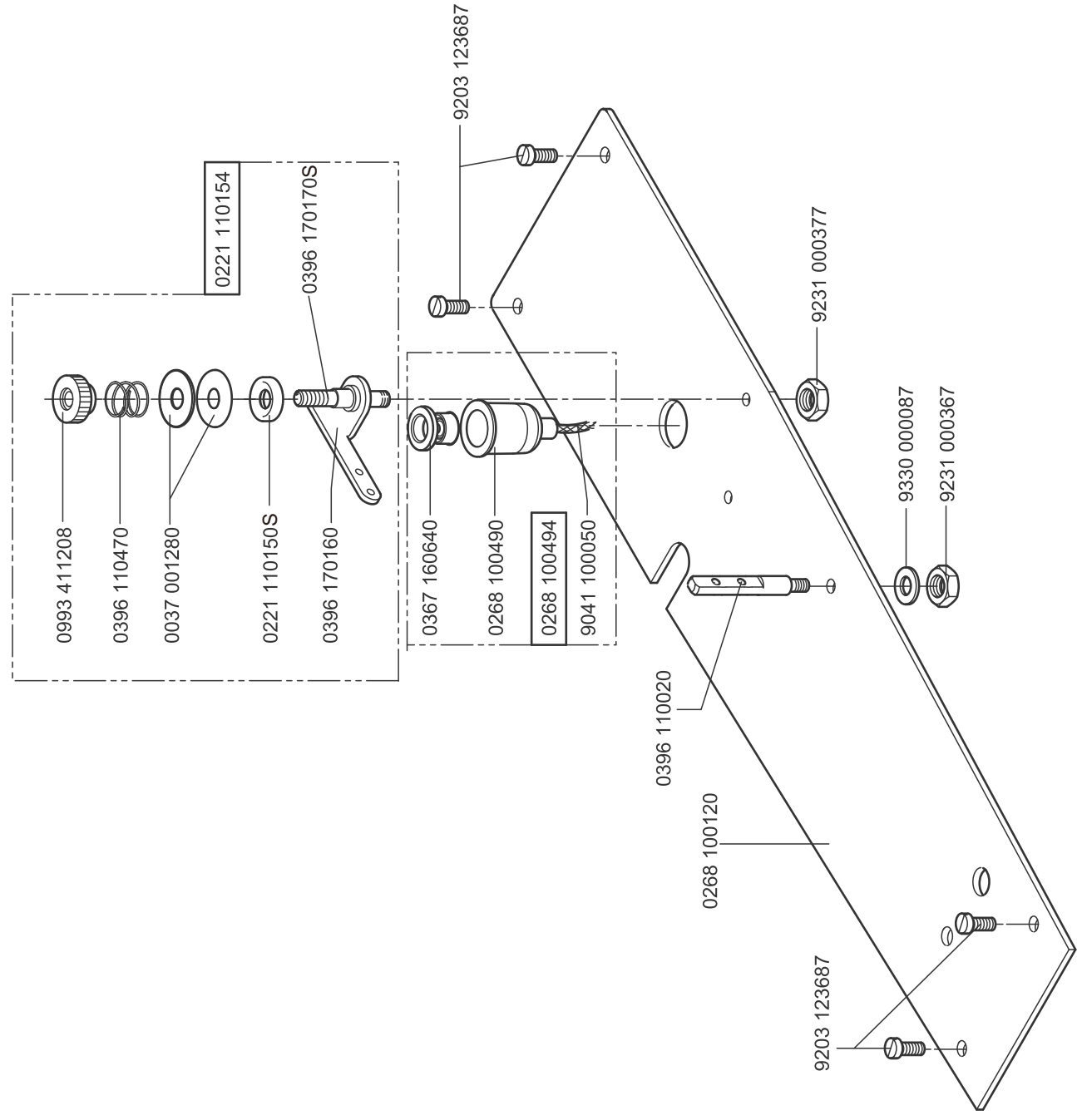


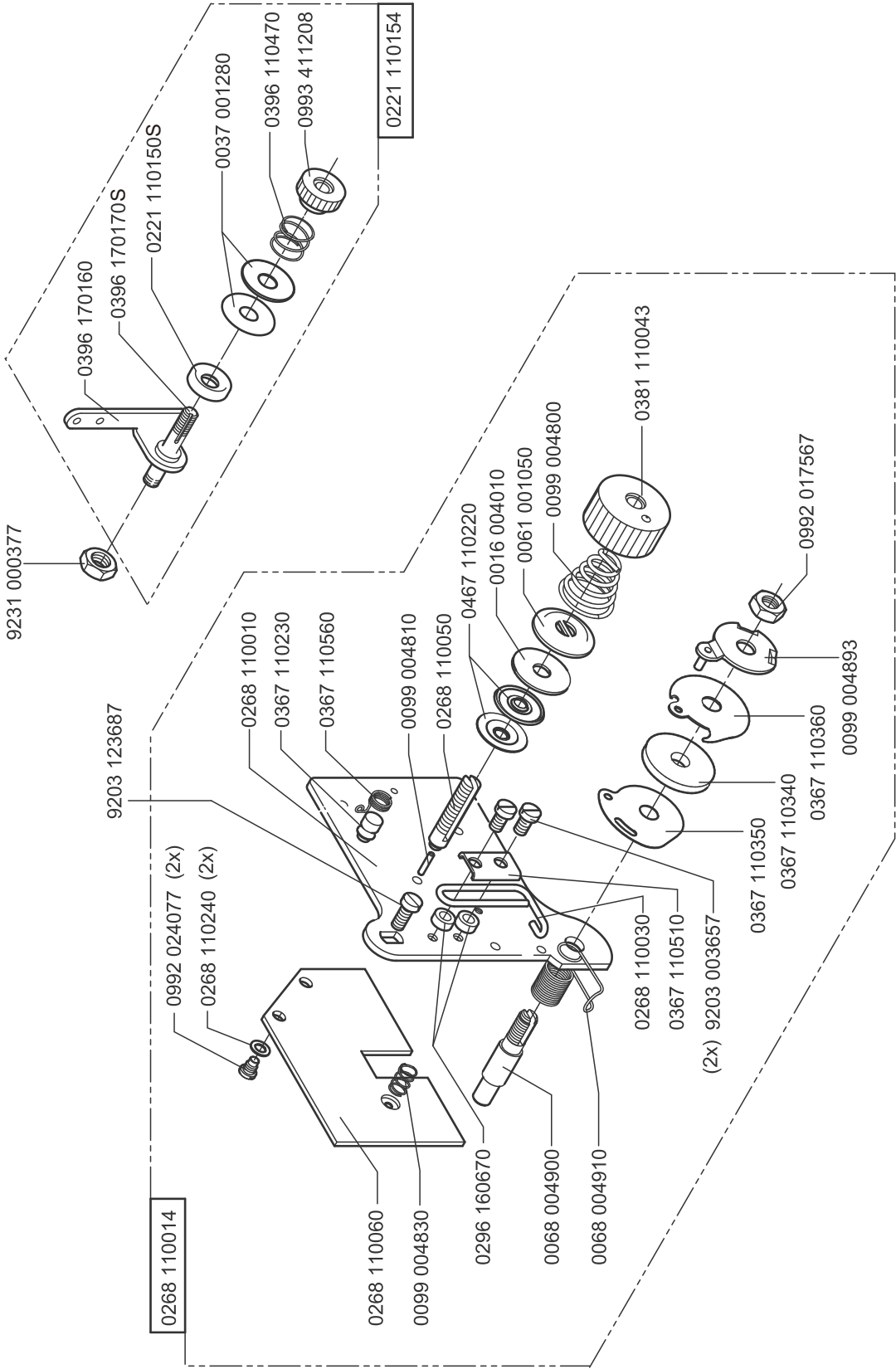
7



**\* until 31.08.2008**  
 截至 2008 年 8 月 31 日为止

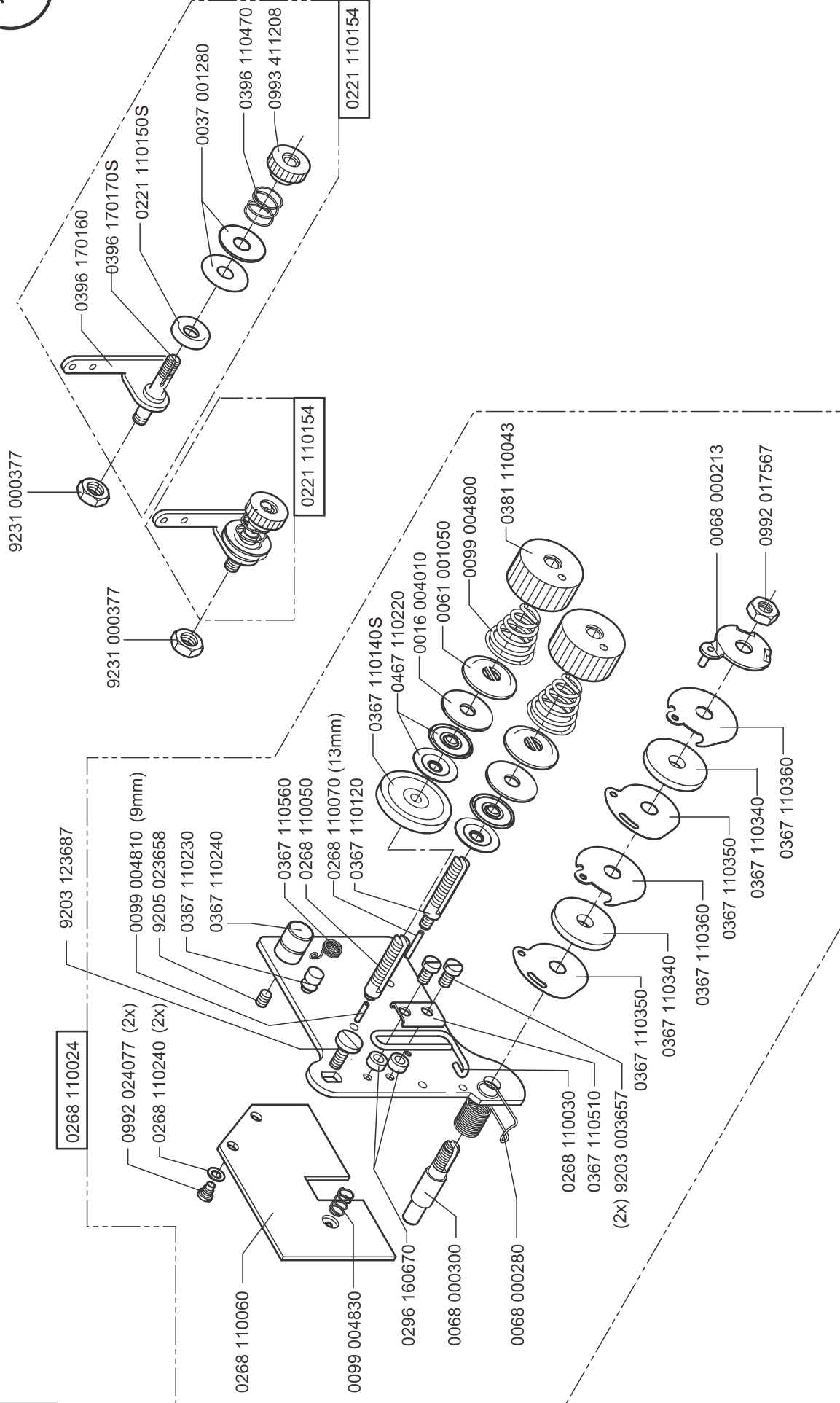
**\*\* from 01.09.2008**  
 从 2008 年 9 月 1 日开始

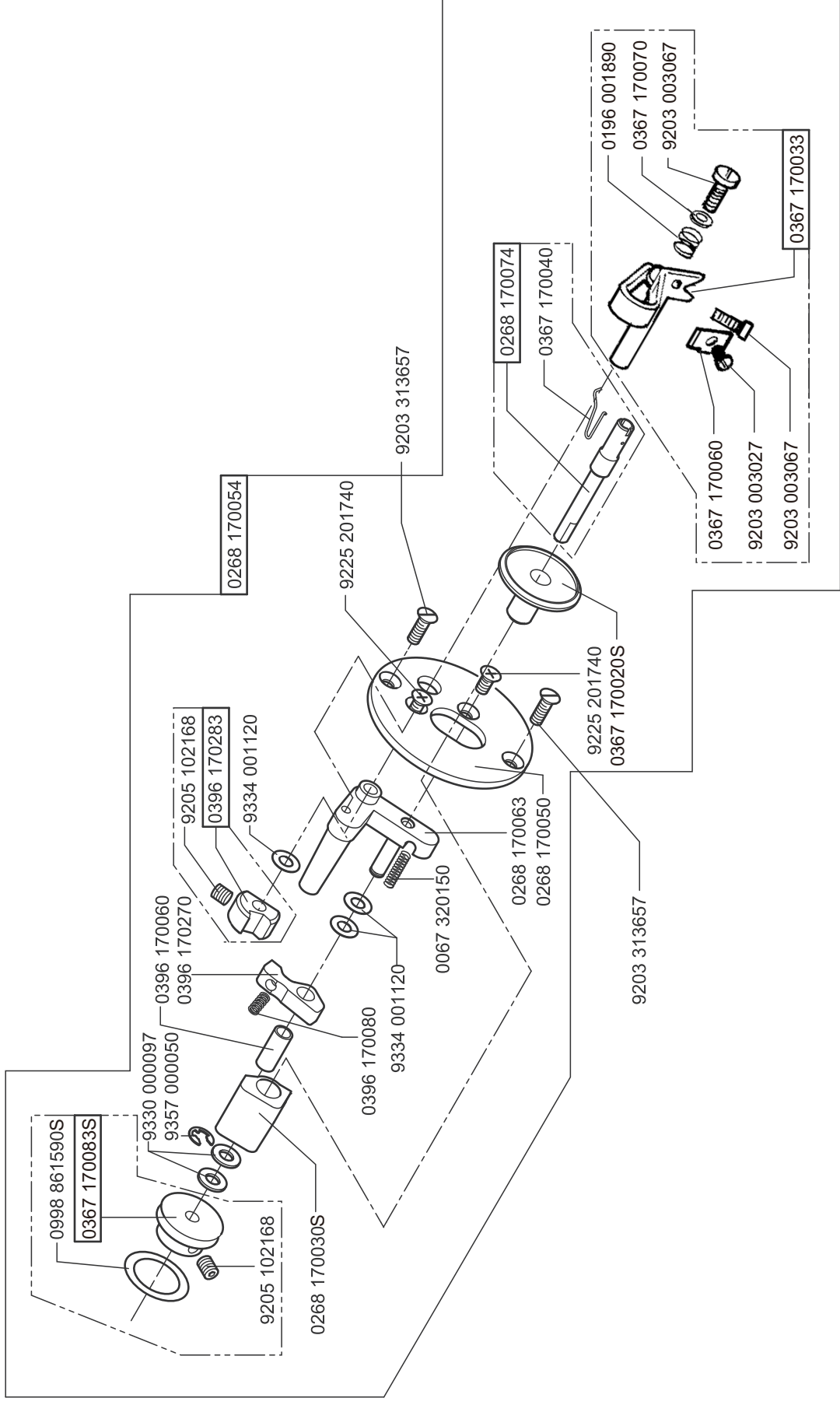




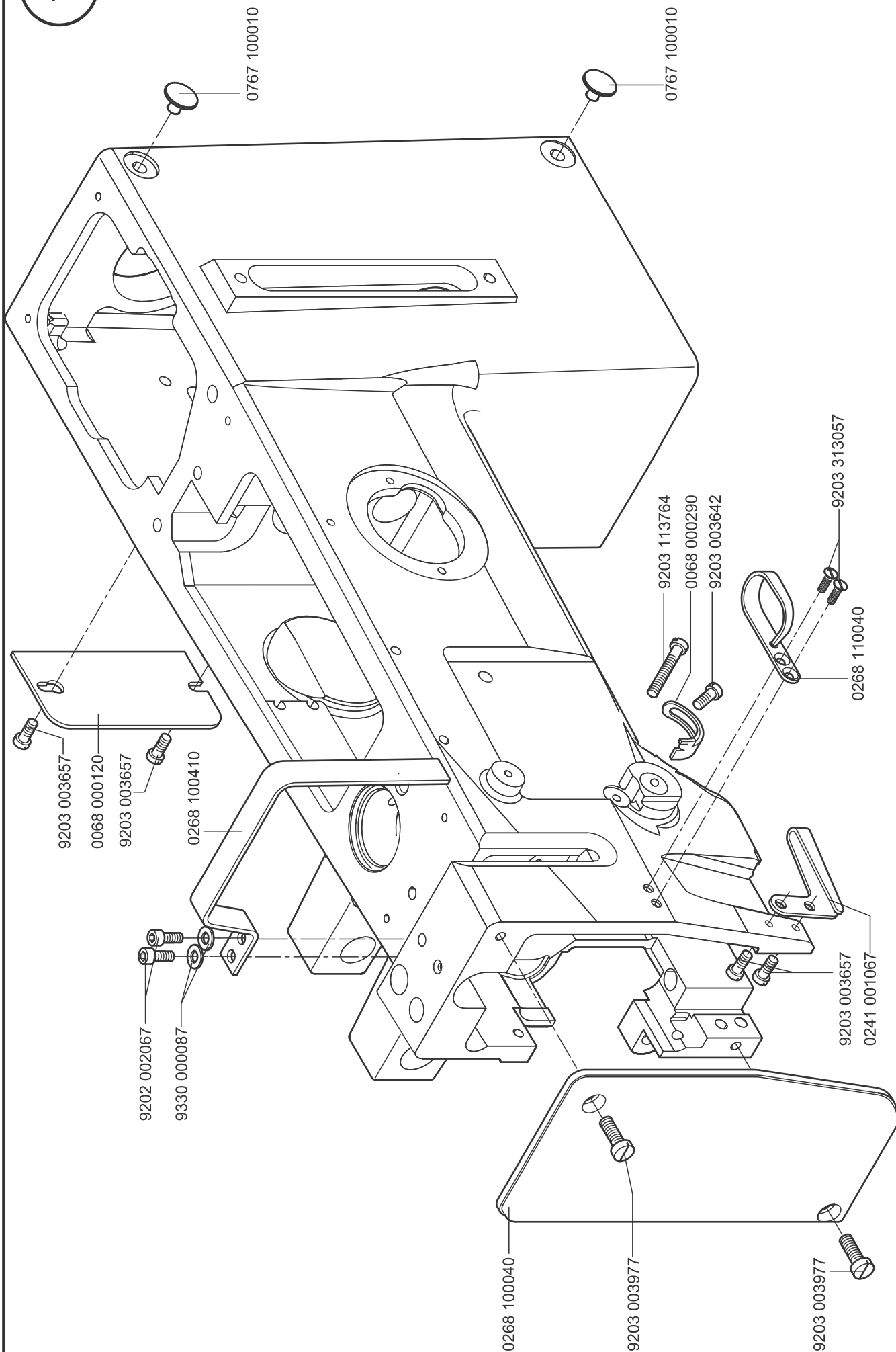


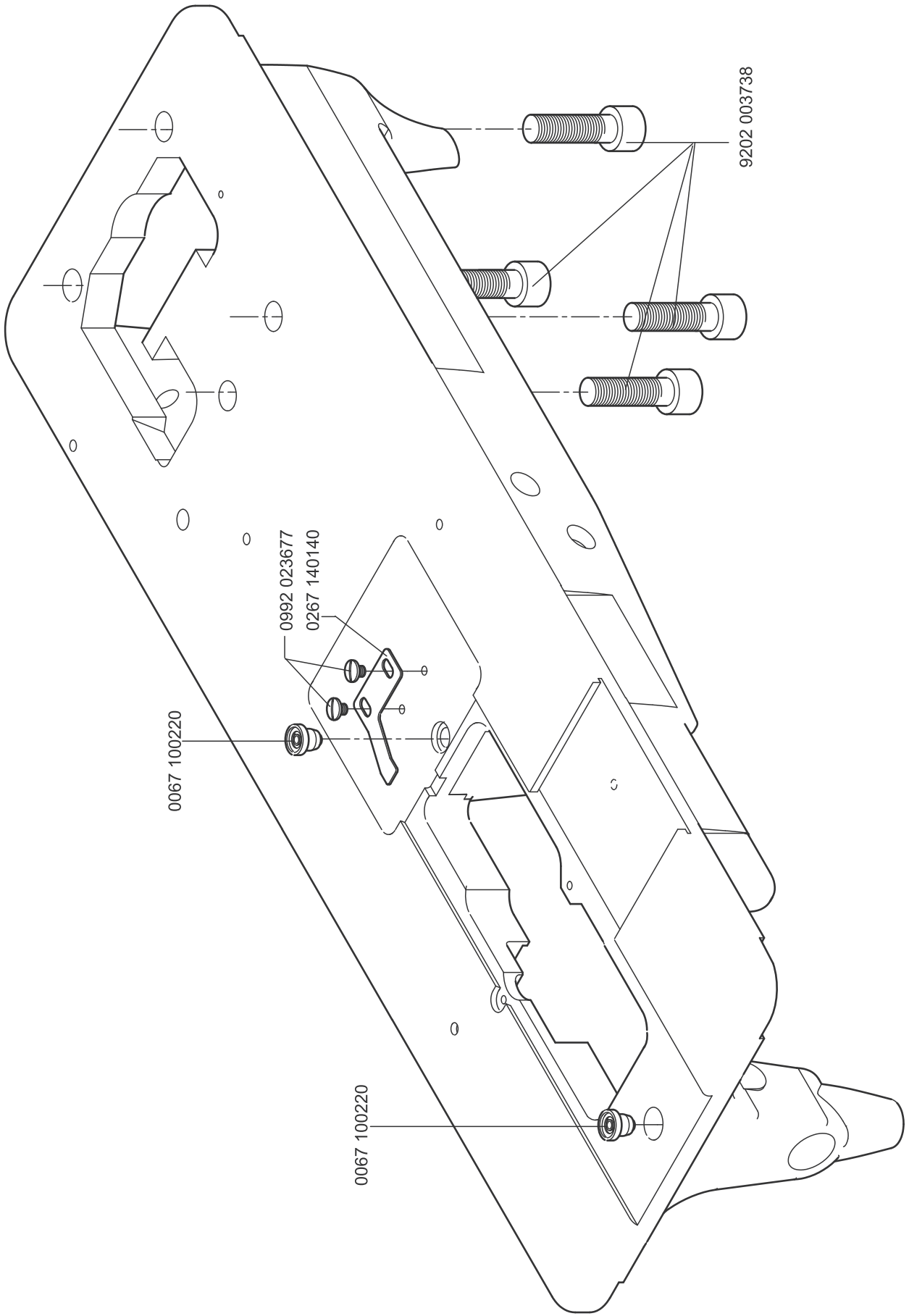
10











Part no. see sewing equipment  
 件号见缝纫附件

9203 003637

0992 009787

0267 140150

9400 000011S (2x)

0067 001484

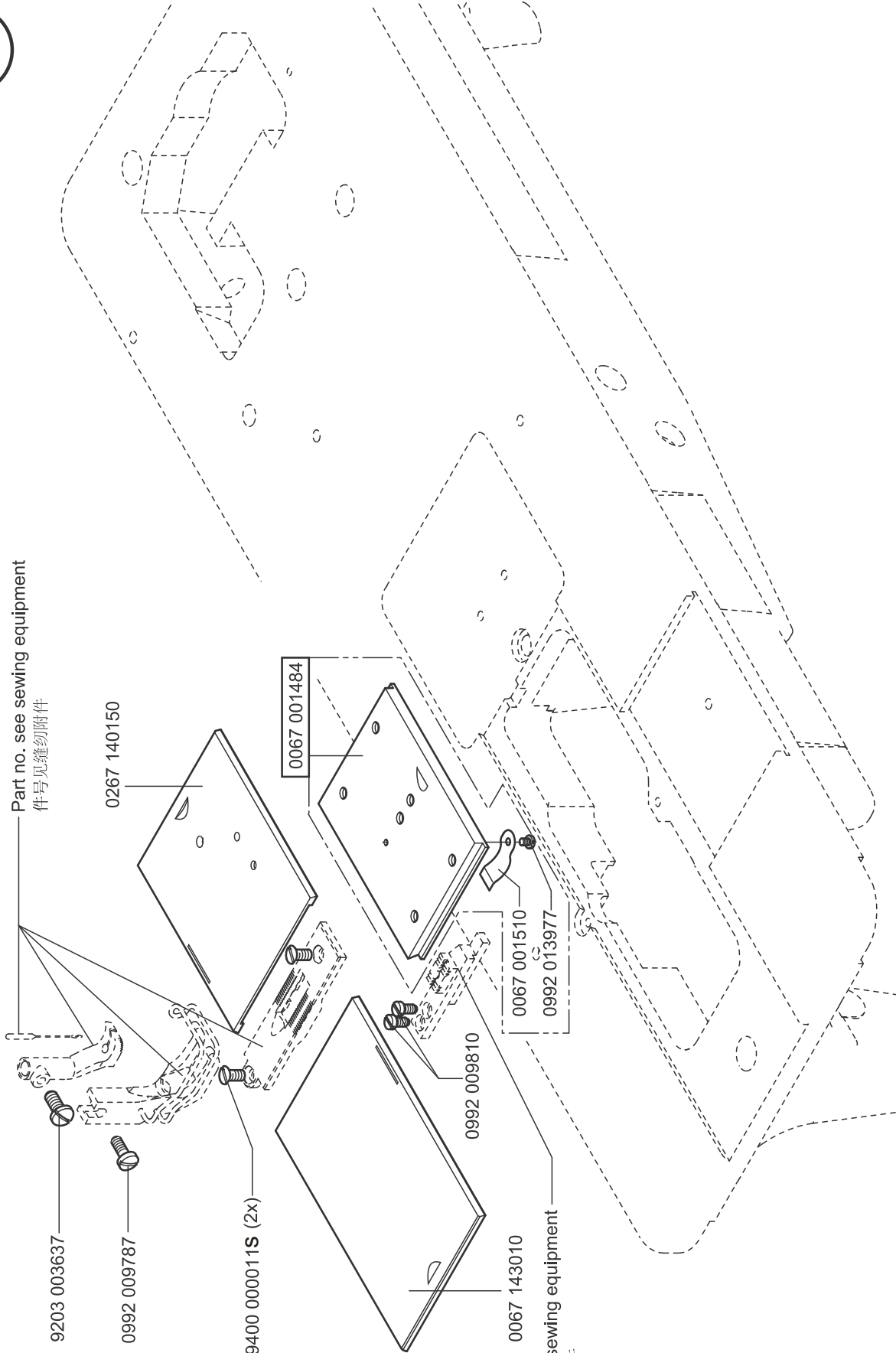
0992 009810

0067 143010

0067 001510

0992 013977

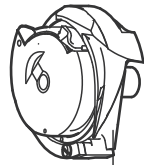
Part no. see sewing equipment  
 件号见缝纫附件





(1x)

0267 151884



0167 001700  
 0992 008986S  
 0008 001510  
 0167 150050

0067 150103

0167 150050

0167 001663S

0167 150040

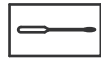
0067 150060S

0068 151123S

0992 022790S

0068 001570

9202 043328



(1x)



(2x)

0167 001784

N

0992 019148

0992 019157

0167 150260

0167 001800

0992 016580

0167 001910

0267 151794

0992 006980S

0990 430911

N

0267 151860

0267 151850

0267 151840

0992 002660

0267 151884

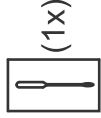
N- not available as separate part  
不提供散件

Scale / Scale 50%

Cl. 267

Edition / 版本 04.2016

15



(1x)



(1x)

0267 151884

0167 001700

0067 150103

0167 150050

0167 001663S

0167 150040

0067 150050S

0068 151123S

0992 022790S

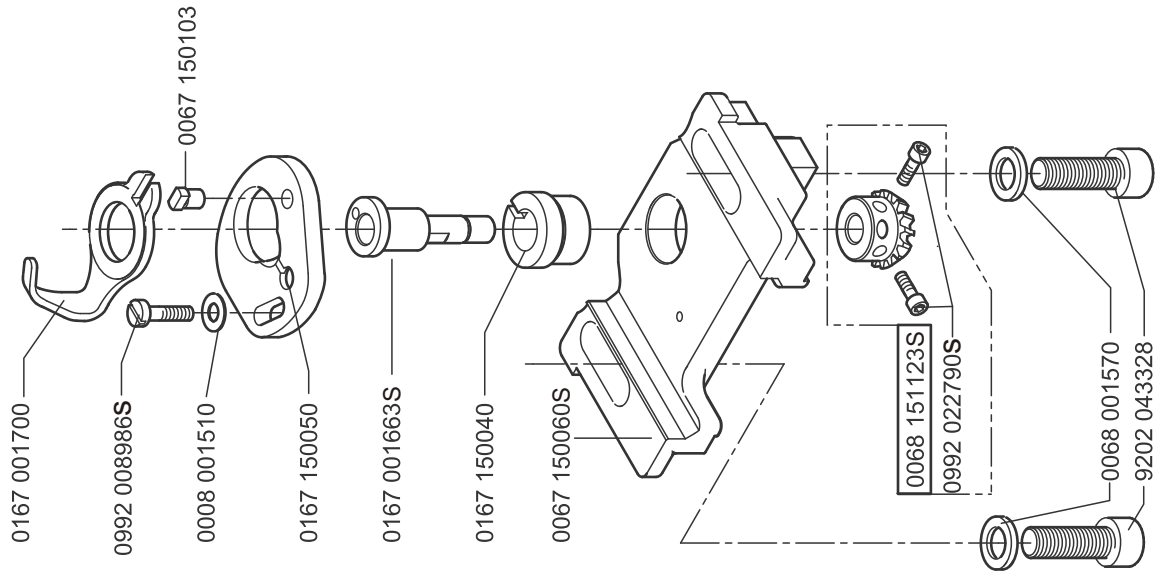
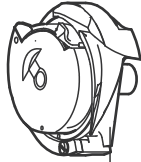
0068 001570

9202 043328



(1x)

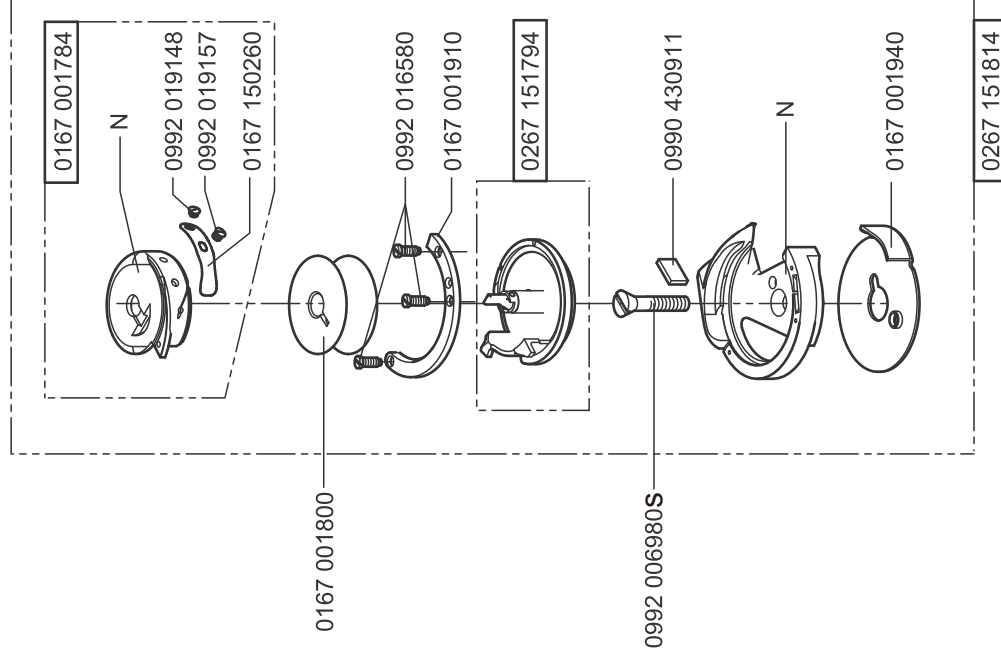
0267 151814



(1x)



(2x)



N- not available as separate part  
不提供散件

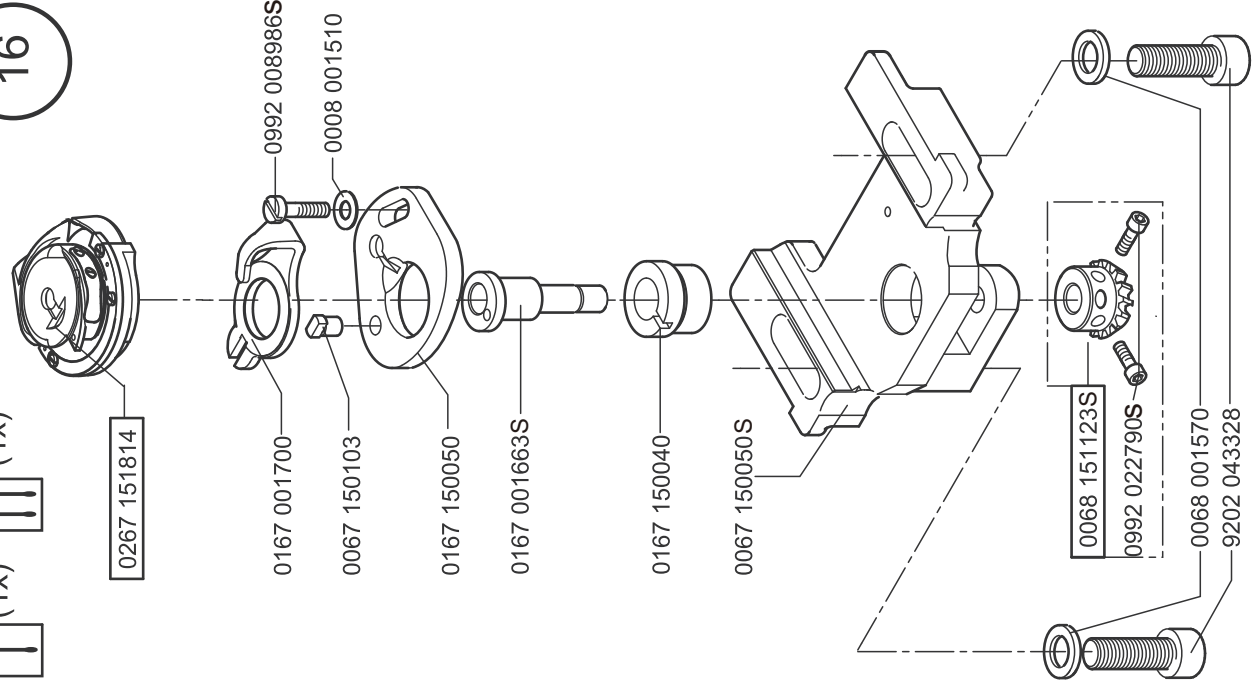


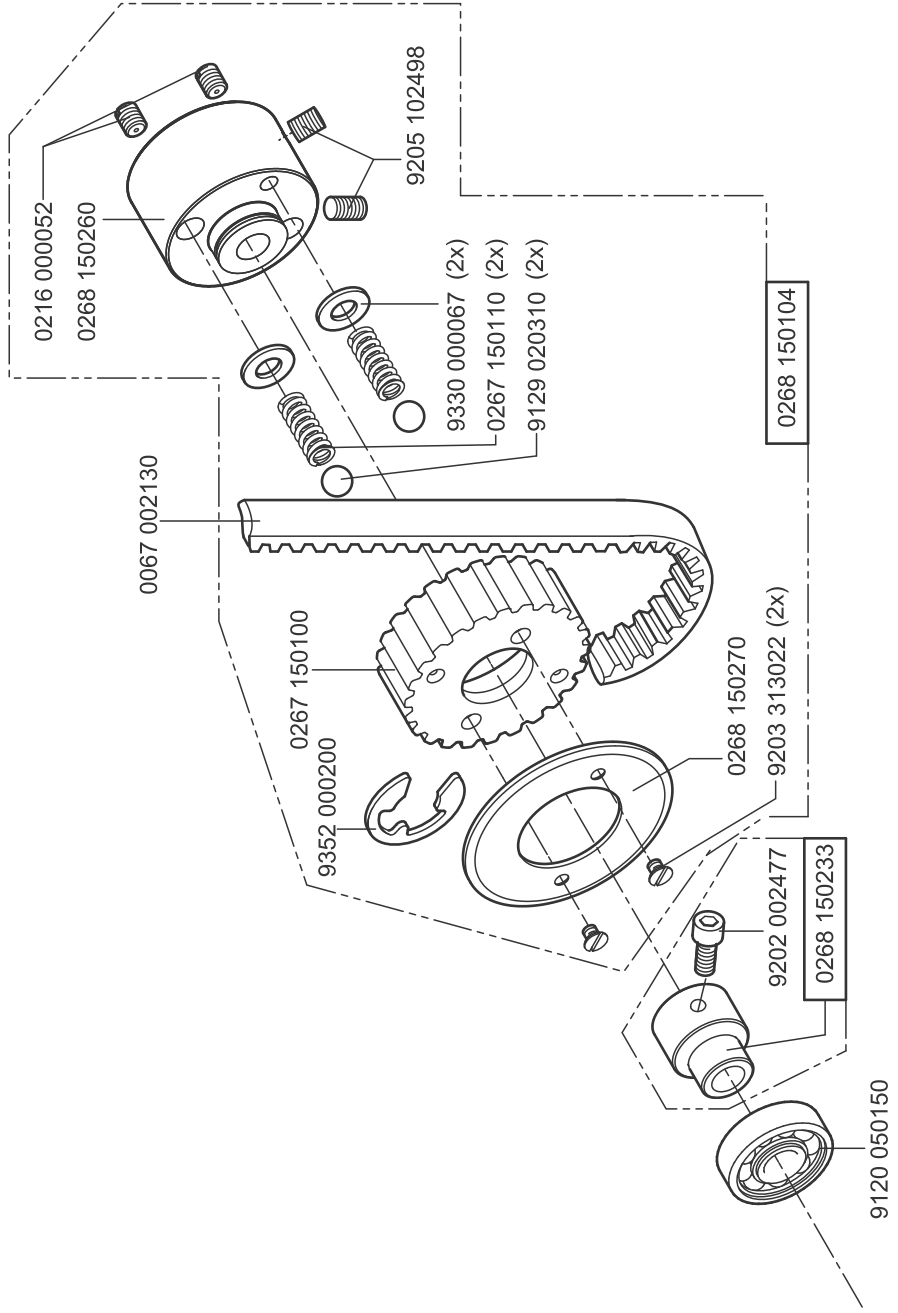
(1x)

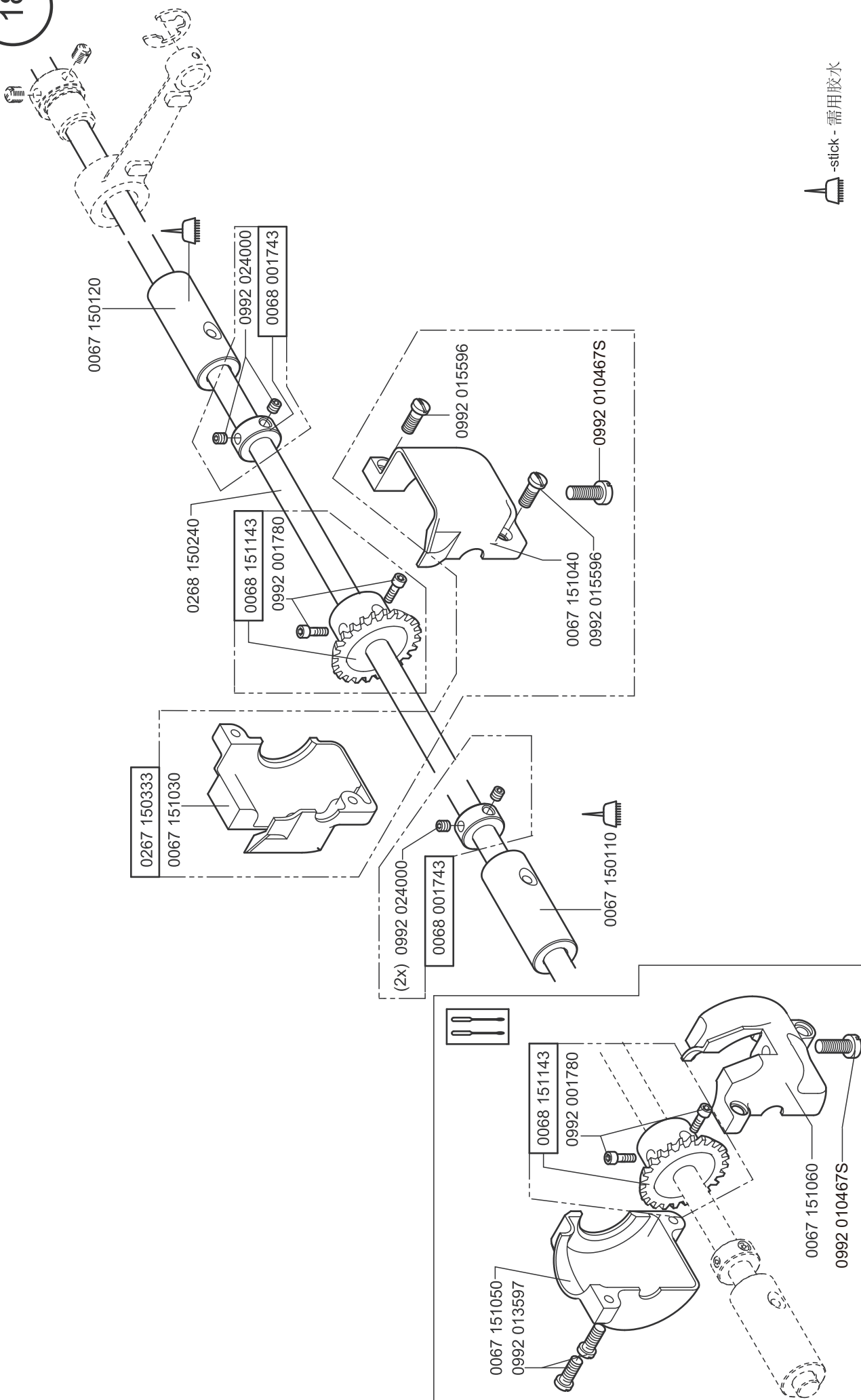


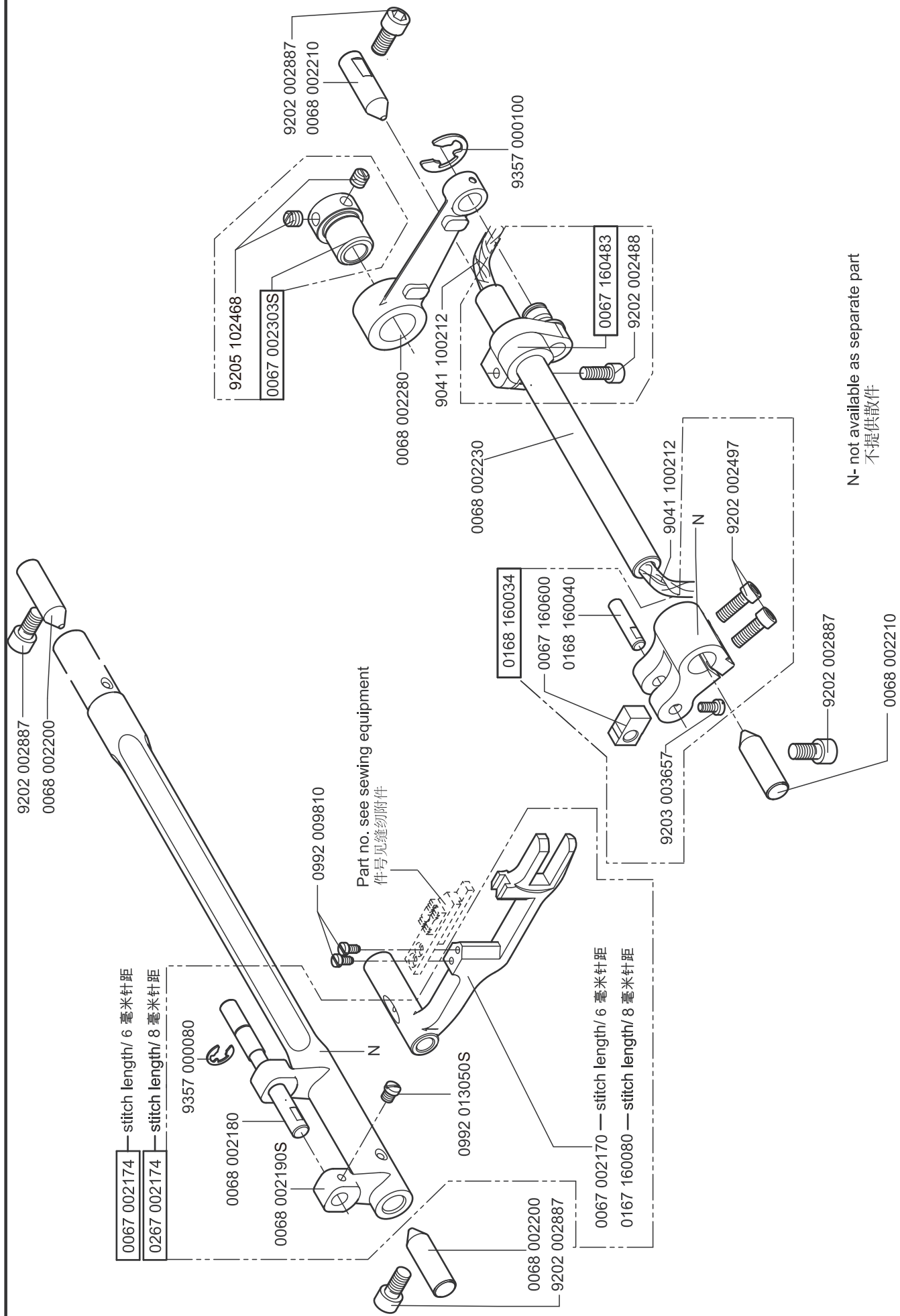
(1x)

16







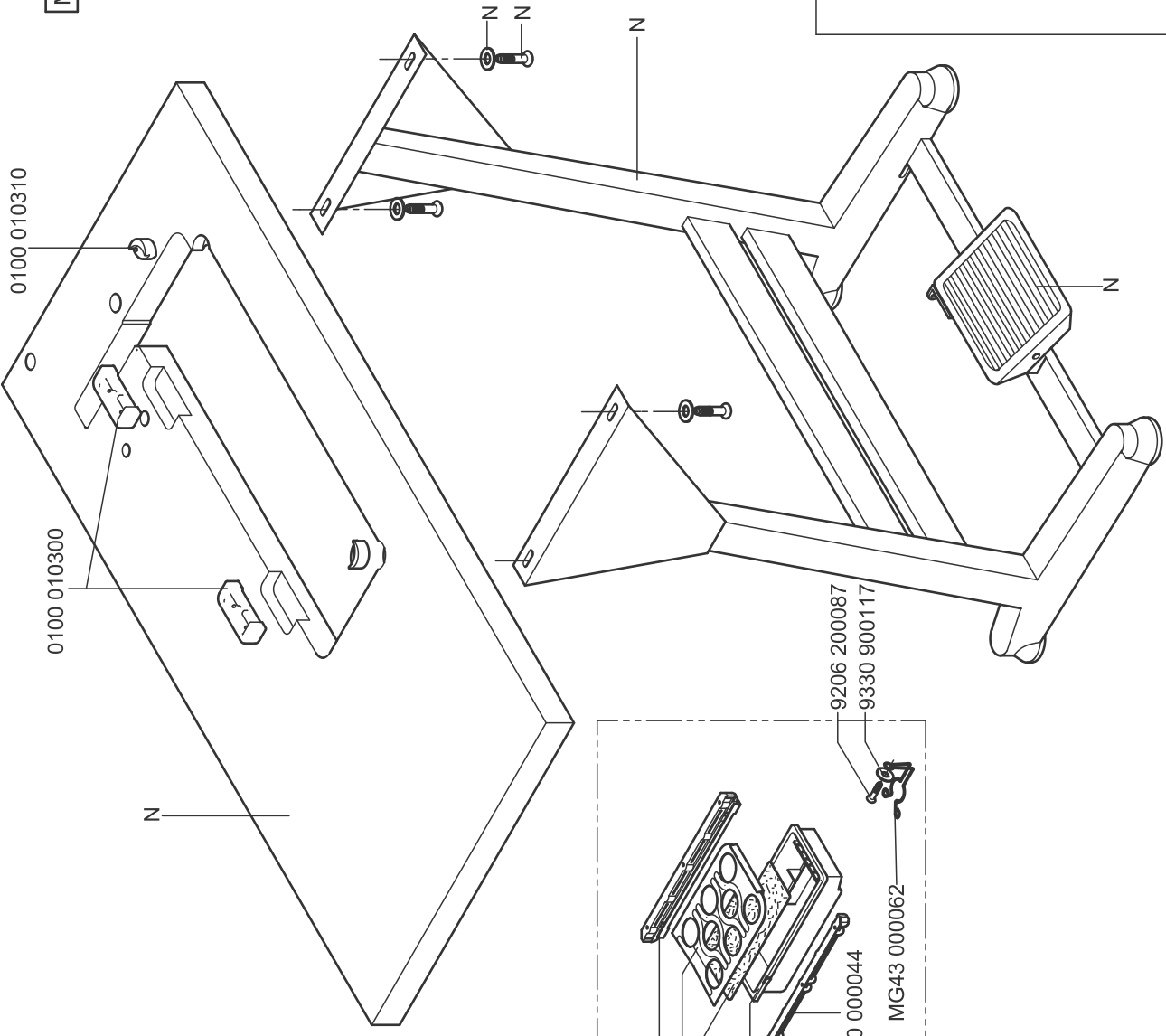


Part no. see sewing equipment  
件号见缝纫附件

N- not available as separate part  
不提供散件



MG53 401134



0100 010310

0100 010300

Z

Z

Z

Z

Z

9206 200087

9330 900117

0700 000044

0700 000045

0700 000050

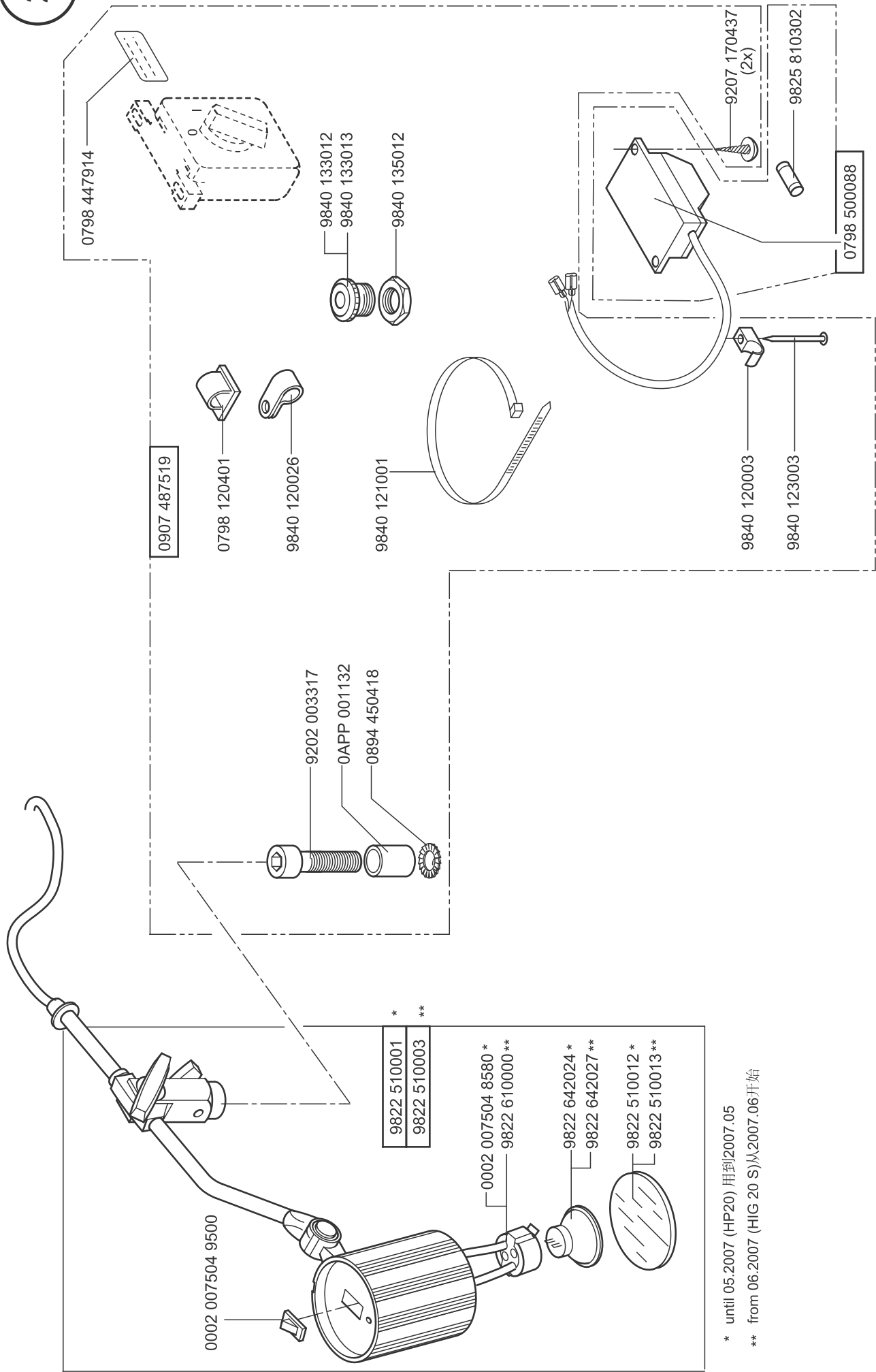
0700 000043

(6x) 9207 170227

0700 000044

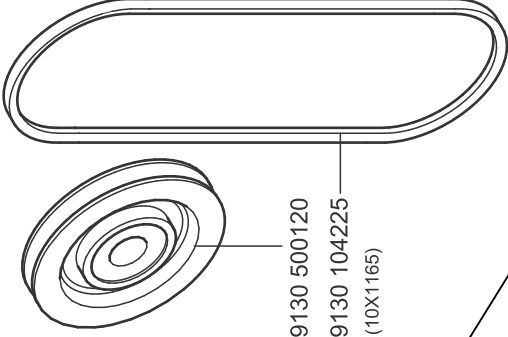
MG43 000062

0907 021084



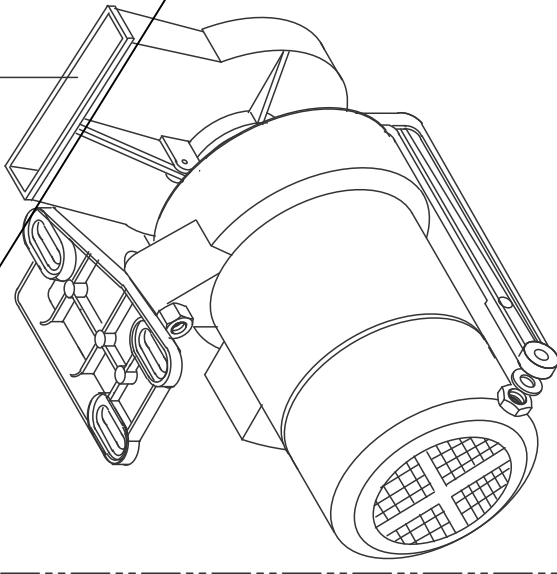
\* until 05.2007 (HP20) 用到2007.05  
 \*\* from 06.2007 (HIG 20 S)从2007.06开始

9889 026701 1

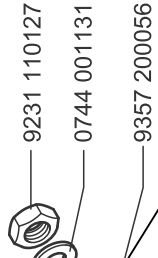


9809 110002 A FIR 1147.752.3 3x200-240/380-415V 50HZ

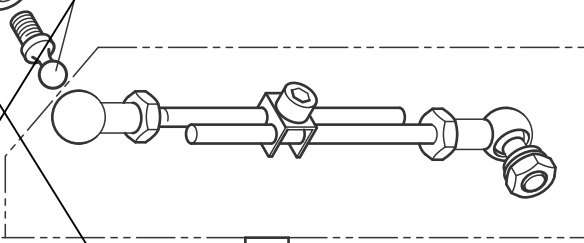
9800 360050



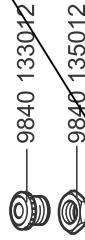
MG43 000410



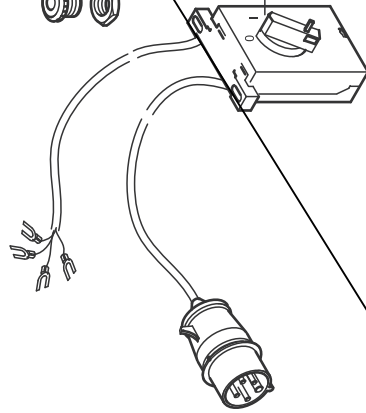
MG43 000401



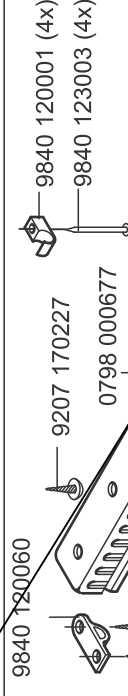
9870 001003



9815 580001



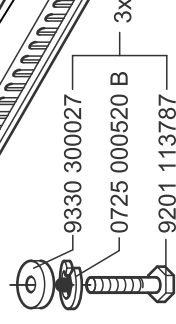
9840 120060



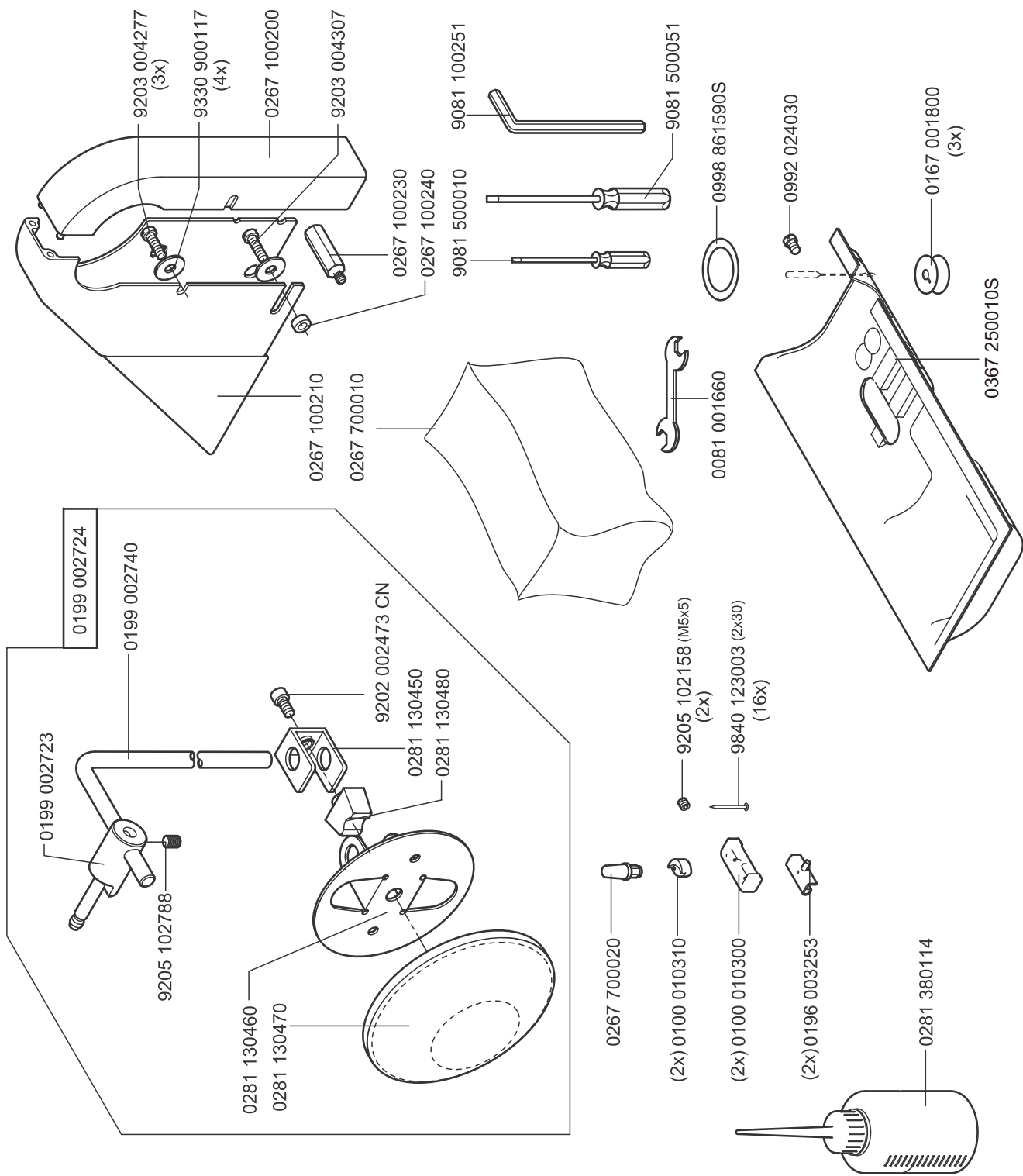
9207 170227

9207 170227

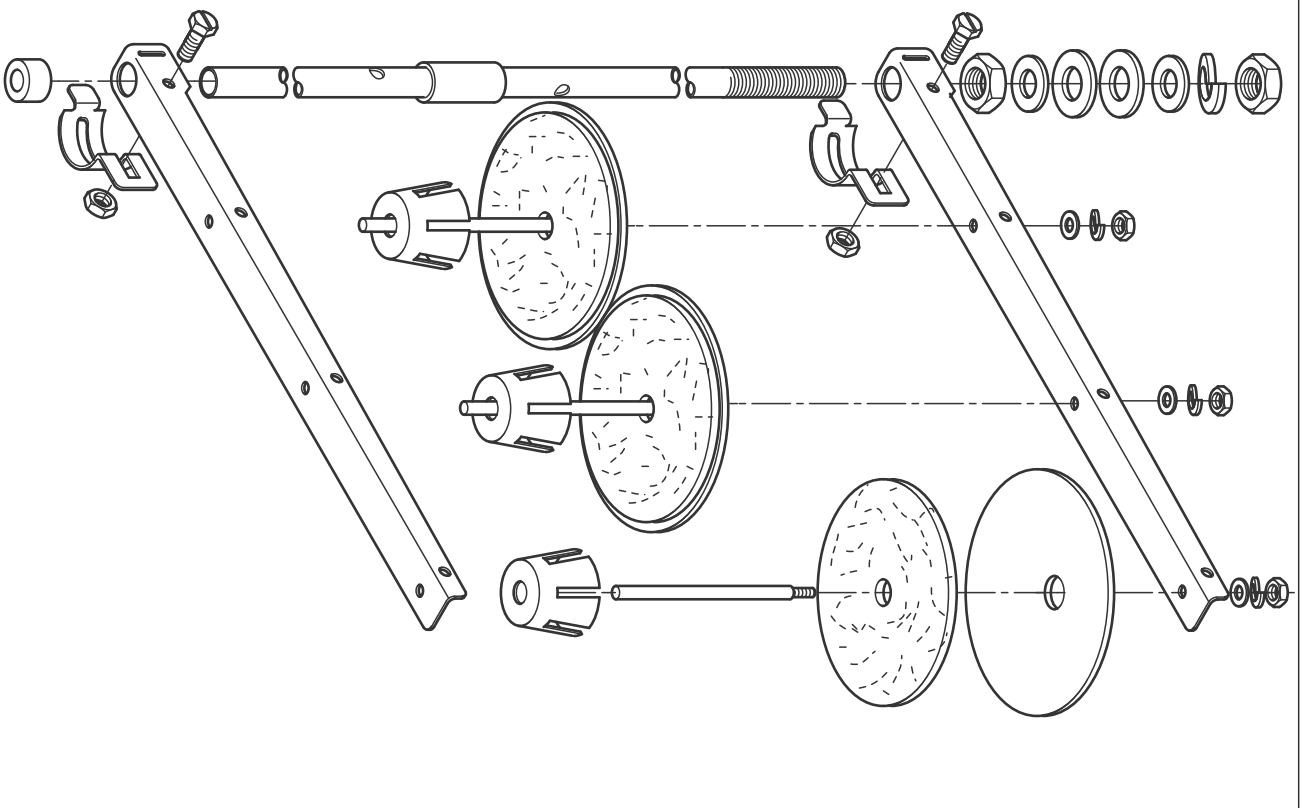
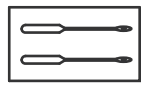
9207 170847 (2x)



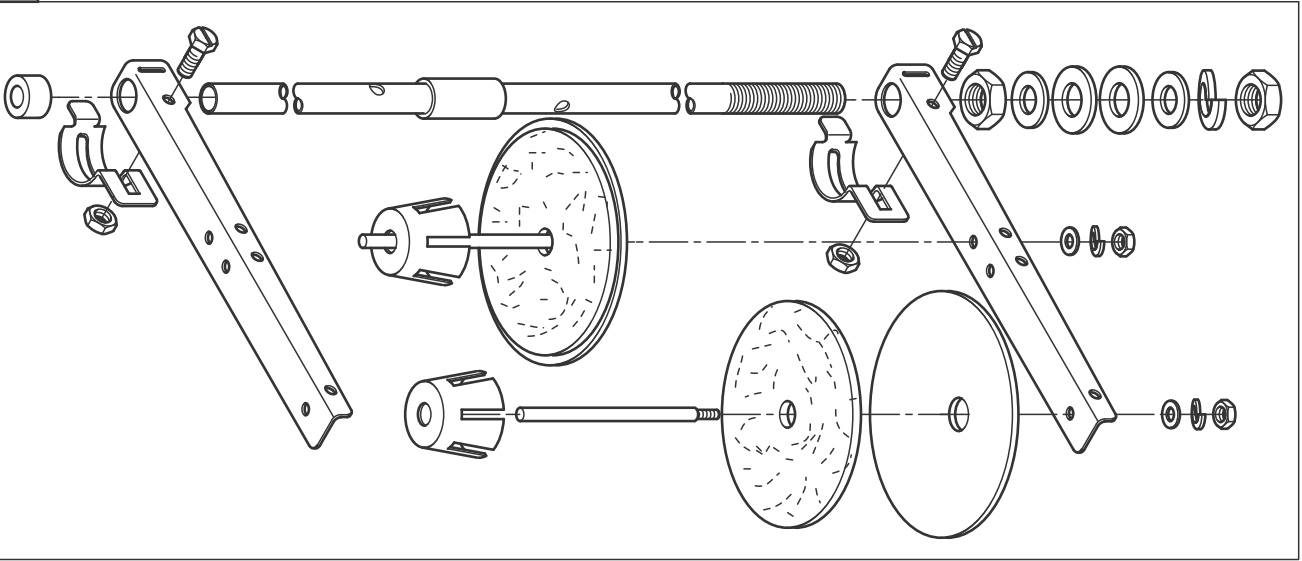
0907 030484



0791 267100



0281 700014



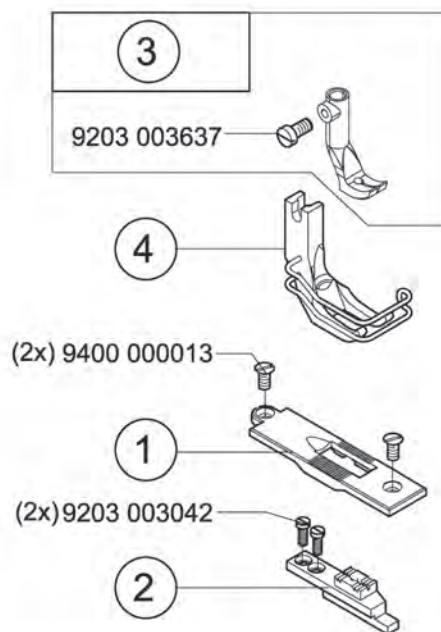
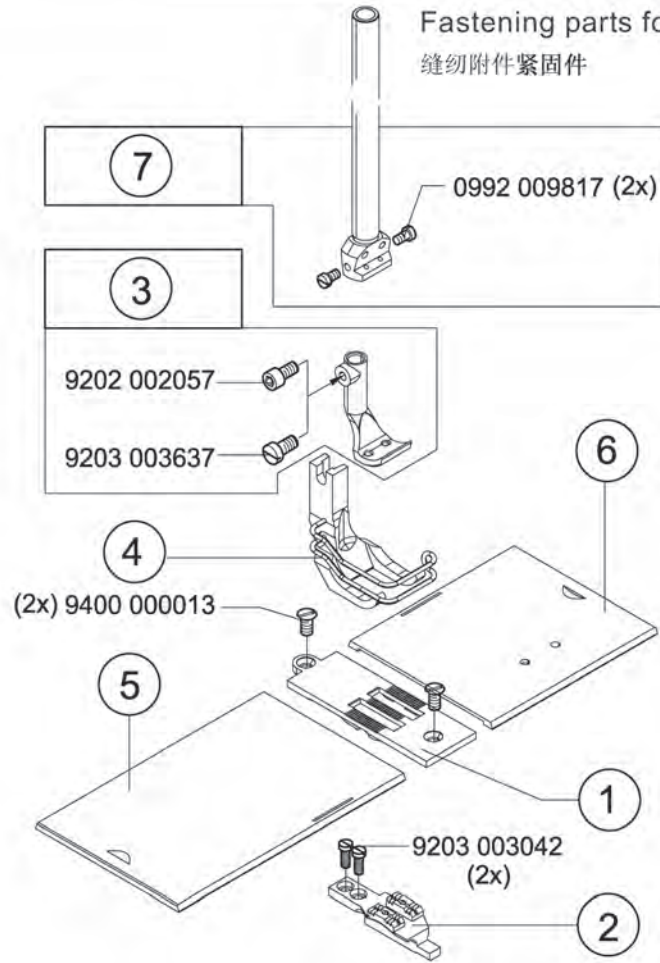
件号/Part-No.	图表/Table	件号/Part-No.	图表/Table	件号/Part-No.	图表/Table	件号/Part-No.	图表/Table	件号/Part-No.	图表/Table
0002 007504 8580	21	0067 150120	18	0068 002280	19	0196 002830	07	0223 000646	01
0002 007504 9500	21	0067 151030	18	0068 002343	05, 06	0196 003253	23	0241 001067	12
0008 001510	15, 16	0067 151040	18	0068 002380	05, 06	0199 002723	23	0267 002174	19
0016 004010	09, 10	0067 151050	18	0068 002400	05, 06	0199 002724	23	0267 100200	23
0037 000150S	03	0067 151060	18	0068 002410	04	0199 002740	23	0267 100210	23
0037 001280	08, 09, 10	0067 160013	01	0068 003320	03	0216 000052	17	0267 100230	23
0061 001050	09, 10	0067 160483	19	0068 004900	09	0221 110150S	08, 09, 10	0267 100240	23
0061 002410	03	0067 160533	04	0068 004910	09	0221 110154	08, 09, 10	0267 130060	07
0067 000180	02	0067 160600	04, 19	0068 008470	23			0267 130064	07
0067 000423S	02	0067 312013	02	0068 151123S	15, 16			0267 130100	07
0067 001484	14	0067 312030	02	0068 151143	18			0267 130104	07
0067 001510	14	0067 312050	02	0069 312030	02			0267 130113	07
0067 002130	01, 17	0067 312070	02	0069 312040	02			0267 130120	07
0067 002170	19	0067 312170	03	0069 312053	02			0267 130133	07
0067 002174	19	0067 312174	03	0069 312070	02			0267 130140	07
0067 002303S	19	0067 312213	02	0081 001660	23			0267 130150	07
0067 002320	05, 06	0067 312214	02	0095 000110	02			0267 130160	07
0067 002330	05, 06	0067 312240	02	0098 101000	01			0267 130170	07
0067 002380	01	0067 312250	02	0099 002330	04			0267 130184	07
0067 002460	06	0067 320150	11	0099 004800	09, 10			0267 130213	07
0067 002470	06	0068 000120	12	0099 004810	09, 10			0267 140140	13
0067 003050	07	0068 000170	02	0099 004830	09, 10			0267 140150	14
0067 003123	02	0068 000213	10	0099 004893	09			0267 150100	17
0067 003133	02	0068 000280	10	0100 010300	20, 23			0267 150110	17
0067 003293	03	0068 000290	12	0100 010310	20, 23			0267 150333	18
0067 003320	03	0068 000300	10	0167 000670	07			0267 151794	15, 16
0067 100014S	01	0068 000430	02	0167 001663S	15, 16			0267 151814	16
0067 100050	01	0068 000440	01	0167 001700	15, 16			0267 151840	15
0067 100220	13	0068 000470	02	0167 001784	15, 16				
0067 100600	01	0068 000660	03	0167 001800	15, 16, 23				
0067 100610	01	0068 000680	03	0167 001910	15, 16				
0067 130140	07	0068 001570	15, 16	0167 001940	16				
0067 143010	14	0068 001743	18	0167 150040	15, 16				
0067 150033	01	0068 002180	19	0167 150050	15, 16				
0067 150050S	15, 16	0068 002190S	19	0167 150260	15, 16				
0067 150060S	15, 16	0068 002200	19	0167 160080	19				
0067 150103	15, 16	0068 002210	19	0168 160034	19				
0067 150110	18	0068 002230	19	0168 160040	19				

件号/Part-No.	图表/Table	件号/Part-No.	图表/Table	件号/Part-No.	图表/Table	件号/Part-No.	图表/Table	件号/Part-No.	图表/Table
0267 151850	15	0268 130070	07	0281 130450	23	0798 000677	22	0798 000677	22
0267 151860	15	0268 130080	07	0281 130460	23	0798 120401	21	0798 120401	21
0267 151884	15	0268 130120	03	0281 130470	23	0798 447914	21	0798 447914	21
0267 160023	04	0268 130140	07	0281 130480	23	0798 500088	21	0798 500088	21
0267 160030	04	0268 150104	17	0281 380114	23	0893 211068	04	0893 211068	04
0267 160043	05	0268 150233	17	0281 700014	24	0894 450418	21	0894 450418	21
0267 160050	05	0268 150240	18	0291 000159	02	0907 021084	20	0907 021084	20
0267 160063	01	0268 150260	17	0296 160670	09, 10	0907 030484	22	0907 030484	22
0267 160070	05	0268 150270	17	0367 110120	10	0907 487519	21	0907 487519	21
0267 160110	05	0268 160010	06	0367 110140	10	0990 240181	01	0990 240181	01
0267 310013	02	0268 160013	05, 06	0367 110230	09, 10	0990 430911	15, 16	0990 430911	15, 16
0267 700010	23	0268 160020	05, 06	0367 110240	10	0992 001780	18	0992 001780	18
0267 700020	23	0268 160030	06	0367 110340	09, 10	0992 002430	19	0992 002430	19
0268 100040	12	0268 160040	05, 06	0367 110350	09, 10	0992 002660	15	0992 002660	15
0268 100060	01	0268 160050	05, 06	0367 110360	09, 10	0268 003662	02	0268 003662	02
0268 100070	01	0268 160060	05, 06	0367 110510	09, 10	0992 004477	05, 06	0992 004477	05, 06
0268 100120	08	0268 160073	06	0367 110560	09, 10	0992 005660	05, 06	0992 005660	05, 06
0268 100134	01	0268 160080	05, 06	0367 160640	08	0992 006800	03	0992 006800	03
0268 100160	07	0268 160140	05, 06	0367 170040	11	0992 006980S	15, 16	0992 006980S	15, 16
0268 100193	01	0268 160230	05, 06	0367 170083S	11	0992 008986S	15, 16	0992 008986S	15, 16
0268 100393	01	0268 160254	05, 06	0381 110043	09, 10	0992 009787	03, 14	0992 009787	03, 14
0268 100403	01	0268 161030	05	0396 110020	08	0992 009810	14, 19	0992 009810	14, 19
0268 100410	12	0268 161040	05	0396 110470	08, 09, 10	0992 010467S	18	0992 010467S	18
0268 100490	08	0268 161050	05	0396 170060	11	0992 012157	02	0992 012157	02
0268 100494	08	0268 170013	01	0396 170080	11	0992 013050S	19	0992 013050S	19
0268 110010	09	0268 170030S	11	0396 170160	08, 09, 10	0992 013597	18	0992 013597	18
0268 110014	09	0268 170050	11	0396 170170S	08, 09, 10	0992 013977	14	0992 013977	14
0268 110024	10	0268 170054	11	0396 170270	11	0992 014950	03	0992 014950	03
0268 110030	09, 10	0268 170063	11	0396 170283	11	0992 015596	18	0992 015596	18
0268 110040	12	0268 170074	11	0467 110220	09, 10	0992 016580	15, 16	0992 016580	15, 16
0268 110050	09, 10			0700 000043	20	0992 017567	09, 10	0992 017567	09, 10
0268 110060	09, 10	0367 170033	11	0700 000044	20	0992 019148	15, 16	0992 019148	15, 16
0268 110070	10	0367 170020S	11	0700 000045	20	0992 019157	15, 16	0992 019157	15, 16
0268 110083S	03	0268 230014	02	0700 000050	20	0992 022790S	15, 16	0992 022790S	15, 16
0268 110223	03	0268 310013	01	0725 000520 B	22	0992 023677	13	0992 023677	13
0268 110240	09, 10	0268 310063	04	0744 001131	22	0992 023997S	01	0992 023997S	01
0268 130013	07	0268 310080	04	0767 100010	12	0992 024000	18	0992 024000	18
0268 130030	07	0269 130020	07	0791 267100	24	9205 102468	23	9205 102468	23

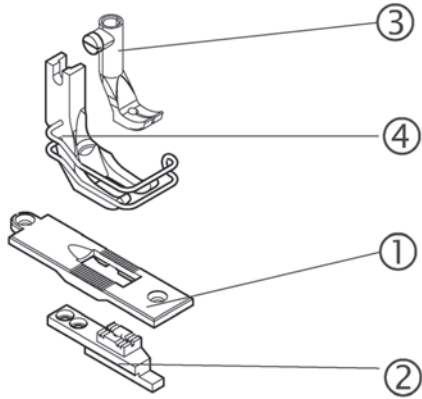
件号 /Part-No.	图表 /Table	件号 /Part-No.	图表 /Table	件号 /Part-No.	图表 /Table	件号 /Part-No.	图表 /Table	件号 /Part-No.	图表 /Table
0992 024077	09, 10	9202 042497	03	9217 301607	05	9840 120026	21		
0993 021210	06	9202 043328	15, 16	9225 201740	11	9840 120060	22		
0993 330810	06	9203 002747	07	9231 000367	08	9840 121001	21		
0993 411208	08, 09, 10	9203 003057	11	9231 000377	08, 09, 10	9840 123003	21, 23		
0993 671634	07	9203 003637	14	9231 000397	05, 06	9840 123003 (4x)	22		
0994 270950	04	9203 003642	12	9231 110107	07	9840 133012	21, 22		
0994 271360	01			9231 110127	02, 22	9840 133013	21		
0995 140217	07	9203 003657	09, 10, 12, 19	9305 603270	05	9840 135012	21, 22		
0998 861590S	11, 23	9203 003977	12	9330 000067	17	9870 001003	22		
0APP 001132	21	9203 004277	23	9330 000087	02, 08, 12	9889 026701 1	22		
9041 100050	08	9203 004307	23	9330 000097	03, 11	MG43 000062	20		
9041 100212	01, 02, 19	9203 113764	12	9330 000107	05	MG43 000401	22		
9081 100251	23	9203 123687	08, 09, 10	9330 300027	22	MG43 000410	22		
9081 500010	23	9203 144267	07	9330 900117	20, 23	MG53 401134	20		
9081 500051	23	9203 312411	02	9332 500150	07				
9120 050150	17	9203 313022	17	9334 001120	11				
9120 080110	01	9203 313057	12	9352 000200	01, 17				
9129 016050	01	9203 313657	11	9352 000320	01				
9129 020200	07	9205 011621	05	9357 000050	11				
9129 020310	17	9205 023658	10	9357 000060	02				
9130 104225	22	9205 023920	02	9357 000080	02, 07, 19				
9130 500120	22	9205 024298	05, 06	9357 000100	02, 04, 07, 19				
9201 113787	22	9205 101528	02	9357 000110	03				
9202 002067	12	9205 102158	23	9357 200056	22				
9202 002097	02	9205 102168	11	9400 000011S	14				
9202 002473 CN	23	9205 102467	02, 03	9800 110002 A	22				
9202 002477	17	9205 102478	01, 02	9800 360050	22				
9202 002487	03	9205 102488	01	9815 580001	22				
9202 002488	07, 19	9205 102498	17	9822 510001	21				
9202 002497	19	9205 102788	23	9822 510003	21				
9202 002498	04	9205 122478	01	9822 510012	21				
9202 002887	05, 06, 07, 19	9205 122498	01	9822 510013	21				
9202 002888	05, 06	9206 200087	20	9822 610000	21				
9202 002897	02, 04	9207 170227	20, 22	9822 642024	21				
9202 002898	07	9207 170437	21	9822 642027	21				
9202 003317	21	9207 170847	22	9825 810302	21				
9202 003738	13	9210 023757	07	9840 120001 (4x)	22				
9202 011877	06	9217 301577	05	9840 120003	21				



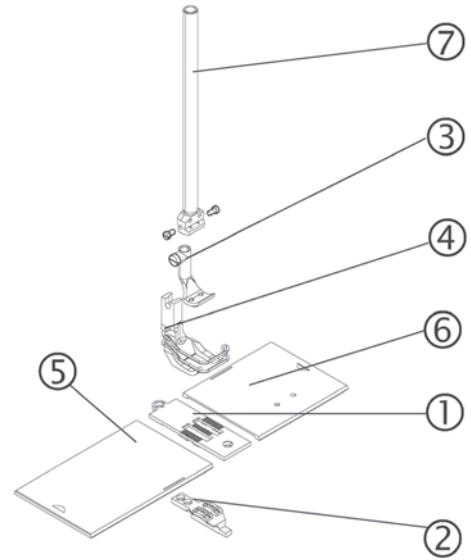
Fastening parts for sewing equipments  
缝纫附件紧固件



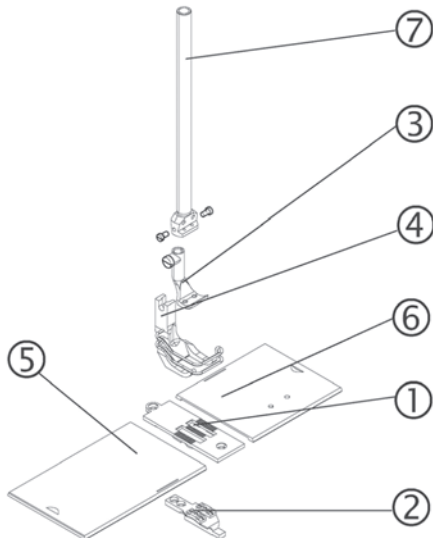
E2



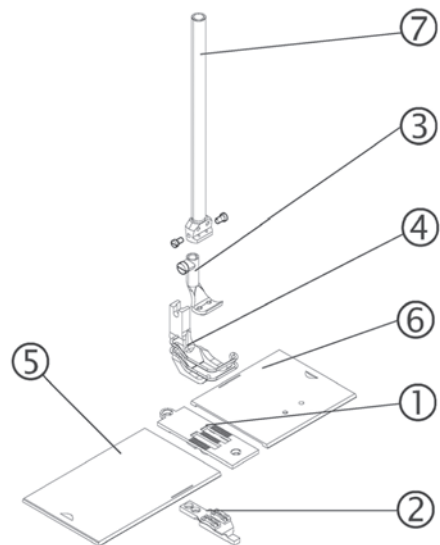
E8/6



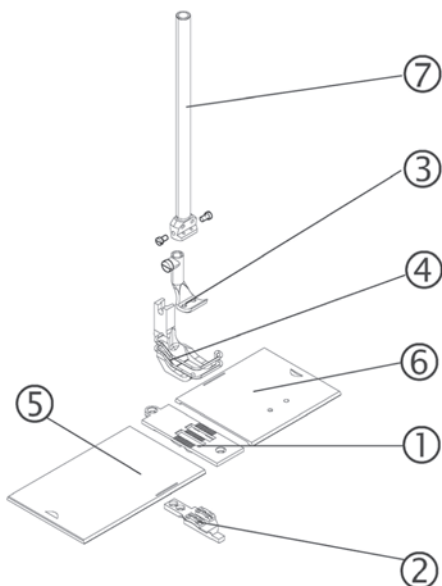
E8/8



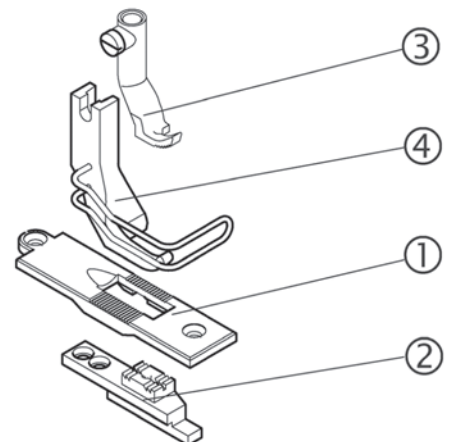
E8/12



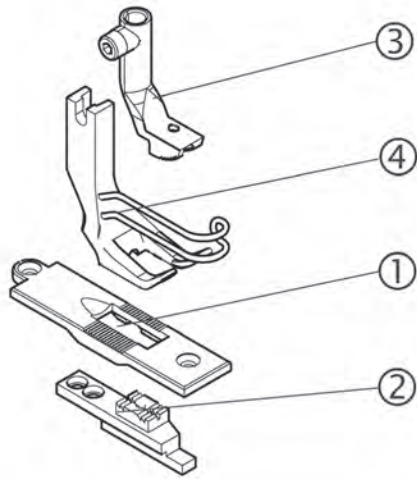
E8/14



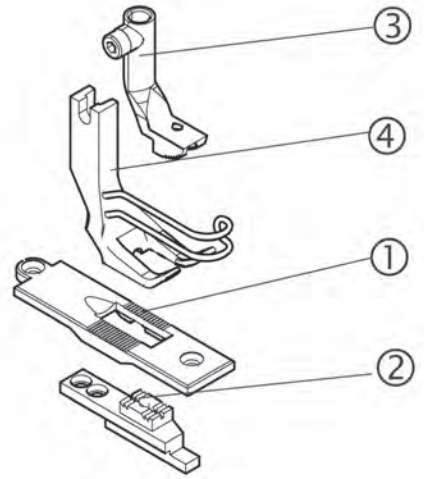
E34



E49



E50



E-No. Fig.No.	For Subclass / 适用机型 Use/ 用途	Needle holder 针夹		Throat plate ① 针板			Main feed dog 主送料牙 ②				Presser foot 压脚		Hook 旋梭							
		Needle distance mm	Needle holder	Needle holder, left	Needle holder, right	Stitch hole size mm	Throat plate	Slide, left	Slide, right	Stitch hole size mm	Serrated mm	Serrated, oblique mm	Cross toothed mm	Roof-shaped mm	Feed foot	Presser foot	Foot, articulated, With lever	Foot, articulated	Needle guard	Needle system
E2	-373 Sewing equipment for general stitching operations in medium weight material in the production of upholstery, tarpaulins and leather articles. Needle size Nm 110-140. Stitch length max. 6 mm 适用于缝制中厚料沙发、帐篷和皮革制品的缝纫附件。 针规格: Nm110-140 最大针距长度: 6mm					ø 2,5	0167 200150			0167 210140				0267 220013	0267 220023S					134-35 / 120-130
E34	-373 Sewing equipment for edge seams on the right in medium weight material in the production of upholstery, bags and leather articles. Seam margin 1 mm. Needle size Nm 110-140. Stitch length max. 6 mm 适用于缝制中厚料沙发、箱包和皮革制品时右侧边缝的缝纫附件。 针规格: Nm110-140 最大针距长度: 6mm					ø 2,5	0167 200150			0167 210140				0067 220713	0067 220783					134-35 / 120-130
E49	-373 Sewing equipment for welting operations in medium weight material (coarsely woven fabrics) in the production of upholstery. Welt groove 5 mm to the left of the needle in feeding foot and double toe jumping foot. Needle size Nm 110-140. Stitch length max. 6 mm 适用于缝制中厚料沙发、(粗织纤维) 嵌缝的缝制设备, 在送料压脚和大压脚中嵌条槽距针左侧距离为 5mm。 针规格: Nm110-140 最大针距长度: 6mm					ø 2,5	0167 200150			0167 210140				0167 220603	0167 220613					134-35 / 120-130
E50	-373 Same as E49, but welt groove 6 mm. 同 E49, 但嵌条槽距针左侧距离 6mm。					ø 2,5	0167 200150			0167 210140				0167 220603	0167 220623					134-35 / 120-130



Sewing equipment  
缝纫附件

267

Edition  
版本  
07.06  
Replaced edition  
取代版号  
03.92

Page  
页号 5

Continued page  
下一页号 --

E-No.	For Subclass / 适用机型	Fig.No.	Use / 用途	Needle holder 针夹		Throat plate 针板			Main feed dog 主送料牙				Presser foot 压脚		Hook 旋梭							
				Needle distance mm	Needle bar	Needle holder, left	Needle holder, right	Stitch hole size mm	Throat plate	Slide, left	Slide, right	Stitch hole size mm	Serrated mm	Serrated, oblique mm	Cross toothed mm	Roof-shaped mm	Feed foot	Presser foot	Foot, articulated, with lever	Foot, articulated	Needle guard	Needle system
E8/6	-273 Sewing equipment for general stitching operations in in the production of leather garments, upholstery, tarpaulins and leather articles. Needle distance 6 mm. Needle size Nm 110-140. Stitch length max. 6 mm 适用于缝制中厚料沙发、帐篷和皮革制品的缝纫附件。 针规格: Nm110-140 最大针距长度 :6mm			6	0068 232094			ø 2.5	0067 203890	0067 143010	0267 140160		0067 213460				0067 222343	0067 222523				134 / 110
E8/8	-273 Same as E8/6, but needle distance 8 mm. 同 E8/6, 但机针间距为 8mm.			8	0068 232114			ø 2.5	0067 203630	0067 143050	0067 142980		0067 213490				0067 222353	0067 222543				1134 / 110
E8/12	-273 Same as E8/6, but needle distance 12 mm. 同 E8/6, 但机针间距为12 mm。			12	0068 232154			ø 2.5	0067 203650	0067 143090	0067 143020		0067 213550				0067 222393	0067 222573				134 / 110
E8/14	-273 Same as E8/6, but needle distance 14 mm. 同 E8/6, 但机针间距为 14mm。			14	0068 232184			ø 2.5	0067 203750	0067 143090	0067 143020		0067 213590				0067 222413	0067 222593				134 / 110



Contact:

Dürkopp Adler AG

PO Box 17 03 51, D-33703 Bielefeld

Potsdamer Straße 190, D-33719 Bielefeld

Phone: +49 (0) 521 9 25 00

Fax: +49 (0) 521 9 25 24 35

Manufacturer:

Precious Science and Technology

Group Corporation Limited

NO.333, Huangjiao Road

Huangyan Area Taizhou City

Zhejiang

P. R. China



DÜRKOPP ADLER AG  
Potsdamer Str. 190  
33719 Bielefeld  
Germany  
Phone: +49 (0) 521 925 00  
E-Mail: [service@duerkopp-adler.com](mailto:service@duerkopp-adler.com)  
[www.duerkopp-adler.com](http://www.duerkopp-adler.com)