

# 506-3 CNC

## Parts List

LPL 071819 Parts List Liersch 506-CNC





# Table Of Content

Sewing Machine Arm / Table 1	6	Accessoires Kit / Table 18	44
Arm Cover / Table 2	8	Electronic Parts / Table 19	46
Thread Tension With Thread Puller / Table 3	10	Liersch 506 Cnc Alv	48
Bobbin Winder / Table 4	14	Pre Assembly Machine Base	49
Face Plate / Table 5	18	Assembly Machine Base	50
Burning Device Upper Thread / Table 6	20	Assy Table Plate	51
Control Curve Cover With Base Plate / Table 7	22	Assembly Table	52
Cogged Segment / Table 8	24	Support	53
Driver With Shuttle / Table 9	26	Cnc Drive	54
Support With Ejector / Table 10	28	Pre Assembly Stepper Motor	57
Lubrication / Table 11	30	Assy Bed Plate 84 Stitch	58
Lubrication / Table 12	32	Assy Bed Plate Pin Loop	59
Burning Transformer / Table 13	34	Assy Bed Plate Pin Loop	60
Burning Device Lower Thread / Table 14	36	Assy Bed Plate 94 Stitch	61
Illumination / Table 15	38	Assy Bed Plate 116 Stitch	62
Needle Cooling / Table 16	40	Assy Bed Plate 116 Stitch	63
Upper thread clamping / Table 17	42	Quick Change Clamp System	64

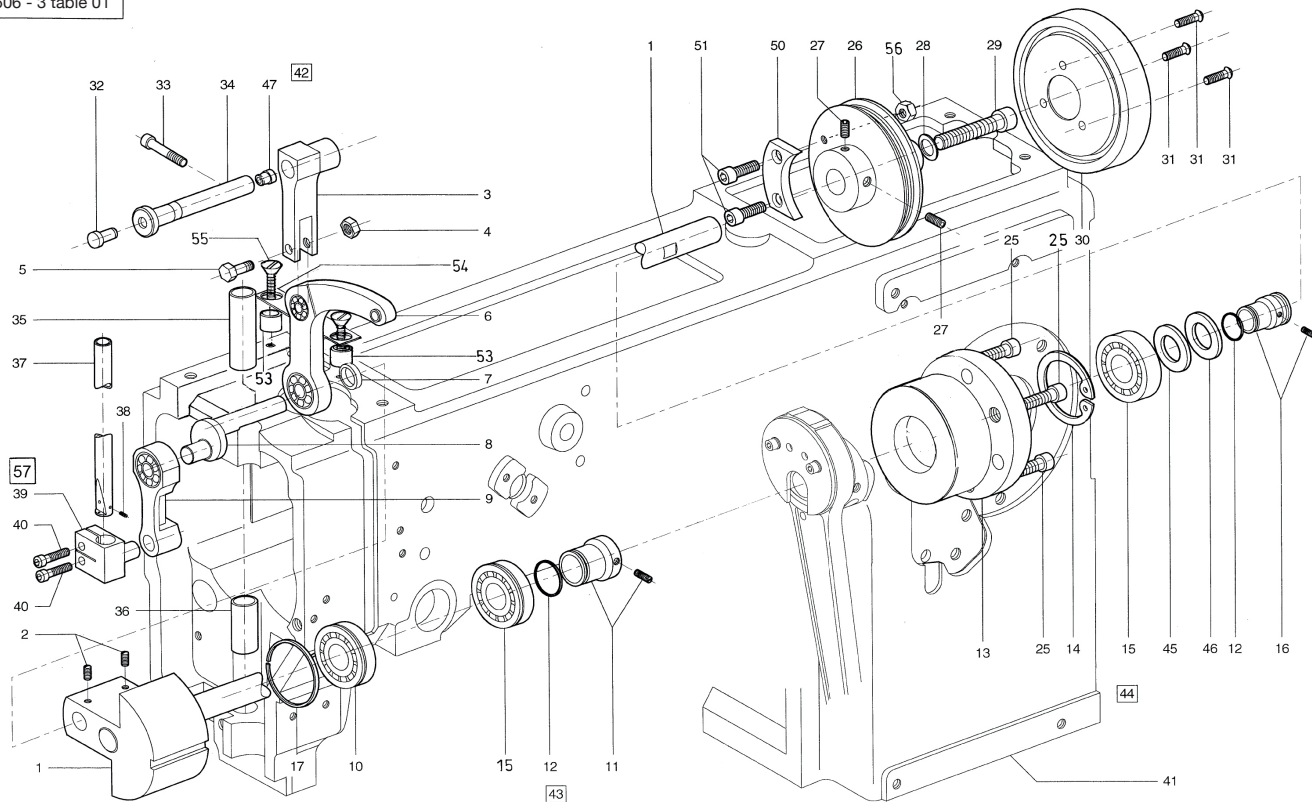
# Table Of Content

Basic Clamp System	65	Air Supply	82
Thread Suction Device	66	Harness Clamp Inductive Sensor	83
Clamp System 84 Stitch	67	Electrics & Pneumatics	84
Clamp System Pin Loop	68	Control Panel	85
Clamp System Pin Loop	69	Bracket Lamp	86
Clamp System 84 Stitch	70	Noise Reduction	87
Clamp System 94 Stitch	71	Oil Pan	88
Clamp System 116 Stitch	72	Lower Part Label Lifter	89
Clamp System 105 Stitch	73	Label Lifter	90
Harness Cnc Drive	74	Assembly Spooler	91
Electrics & Pneumatics	75	Spool Stand	92
Assembly Valves	76	Mounting Scanner	93
Air Pressure Control	77	Conversion Kit Spool Stand	94
Air Service Unit	78	Reference Gauge	95
Lubricator	79	Add-On Safety Screen	96
Collection Container	80		
Electrics & Pneumatics	81		





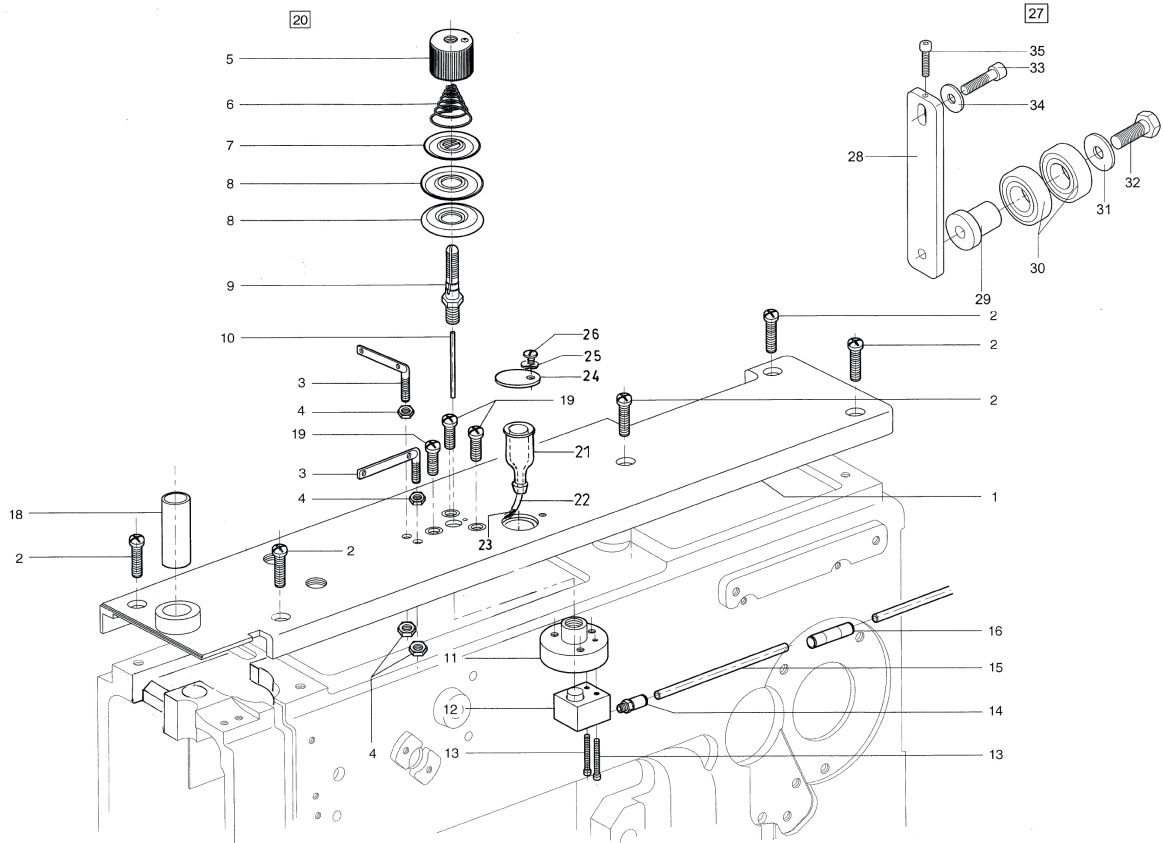
Kl. 506 - 3 table 01



## Sewing Machine Arm / Table 1

Pos.	Part no.	Name of parts
1	10237039	Arm Shaft
2	10237040	Stud
3	10209512	Thread Guide Lever
4	10224991	Hexagonal Nut
5	10207112	Bolt, Stud
6	10209514	Threadlever
7	10209527	Ring
8	10209513	Crank Stud, Needle
9	10209539	Needle Bar Joint
10	10223938	Ballbearing
11	10207071	Bushing
12	10225265	Retainer Ring
13	10237041	Bearing
14	10225291	Circlip
15	10223916	Ball Bearing
16	10207057	Bearing Bush
17	10223990	Spring Ring
25	10224397	Cyl. Screw
26	10209492	Pulley
27	10224890	Thread Pin
28	10225205	Disc
29	10224422	Cyl. Screw
30	10204102	Balance Wheel
31	10224766	Screw
32	10201289	Plug
33	10224374	Cyl. Screw

Pos.	Part no.	Name of parts
34	10209848	Bolt, Stud
35	10209485	Bushing
36	10209541	Bushing
37	10209543	Needle Bar (With Pos. 38)
38	10237042	Stud
39	10237043	Needle Bar Block
40	10224372	Cyl. Screw
41	10237044	Arm
42	10237045	Arm Shaft (Con. Of Pos.1 - 9)
43	10216704	Bearing Bush (Con. Of Pos. 10 - 12)
44	10209474	Bearing (Con. Of Pos. 12 - 16)
45	10225233	Washer
46	10225237	Washer
47	10202447	Wick Holder
50	10209837	Counterweight
51	10224477	Cyl. Screw Rpls 099
53	10209839	Bushing
54	10209840	Plate
55	10224679	Sunk Screw
56	10237046	Hexagonal Nut
57	10209540	Needle Bar Bock (Con. Of Pos. 39, 40)

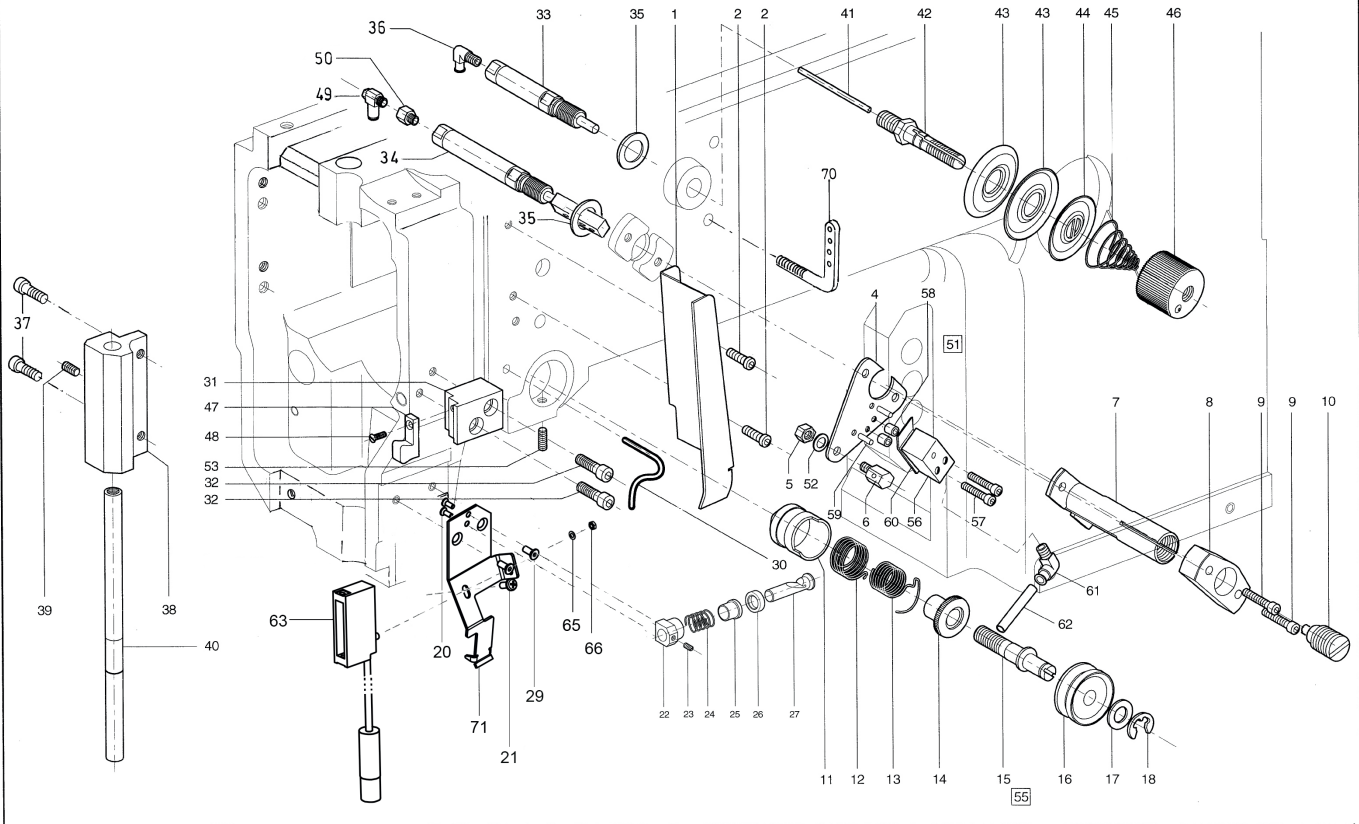


## Arm Cover / Table 2

Pos.	Part no.	Name of parts
1	10237047	Arm Cover
2	10224788	Screw
3	LN0000000328	Thread Guide
4	10224993	Hexagonal Nut
5	10208201	Knurled Nut
6	LN0000000265	Taper Pin Spring
7	10209530	Thread Tension Ros.
8	10200068	Tension Disc
9	10209519	Tension Bolt
10	10203906	Needle Roller
11	10209528	Holder
12	10225413	Cylinder
13	10237048	Cyl. Screw
14	10225742	Use 55-9790-200000
15	10225641	Hose Rpls 0699 9794
16	10237049	Plug Connection
18	10209489	Bushing
19	10224787	Screw (With Pos. 1 - 19)
20	10237050	Arm Cover
21	10207068	Funnel
22	10200155	Oil Hose
23	10223664	Wick Rpls 0990 4200
24	10237051	Cover
25	10225215	Spring Disc

Pos.	Part no.	Name of parts
26	10224653	Coutersunk Screw
27	10209846	Belt Tensioner (With Pos. 28 - 35)
28	10237052	Holder
29	10237053	Bearing Bush
30	10223915	Ball Bearing
31	10225205	Disc
32	10224304	Hexagonal Screw
33	10224401	Cyl. Screw
34	10225204	Washer
35	10237054	Cyl. Screw

Kl. 506 - 3 table 3

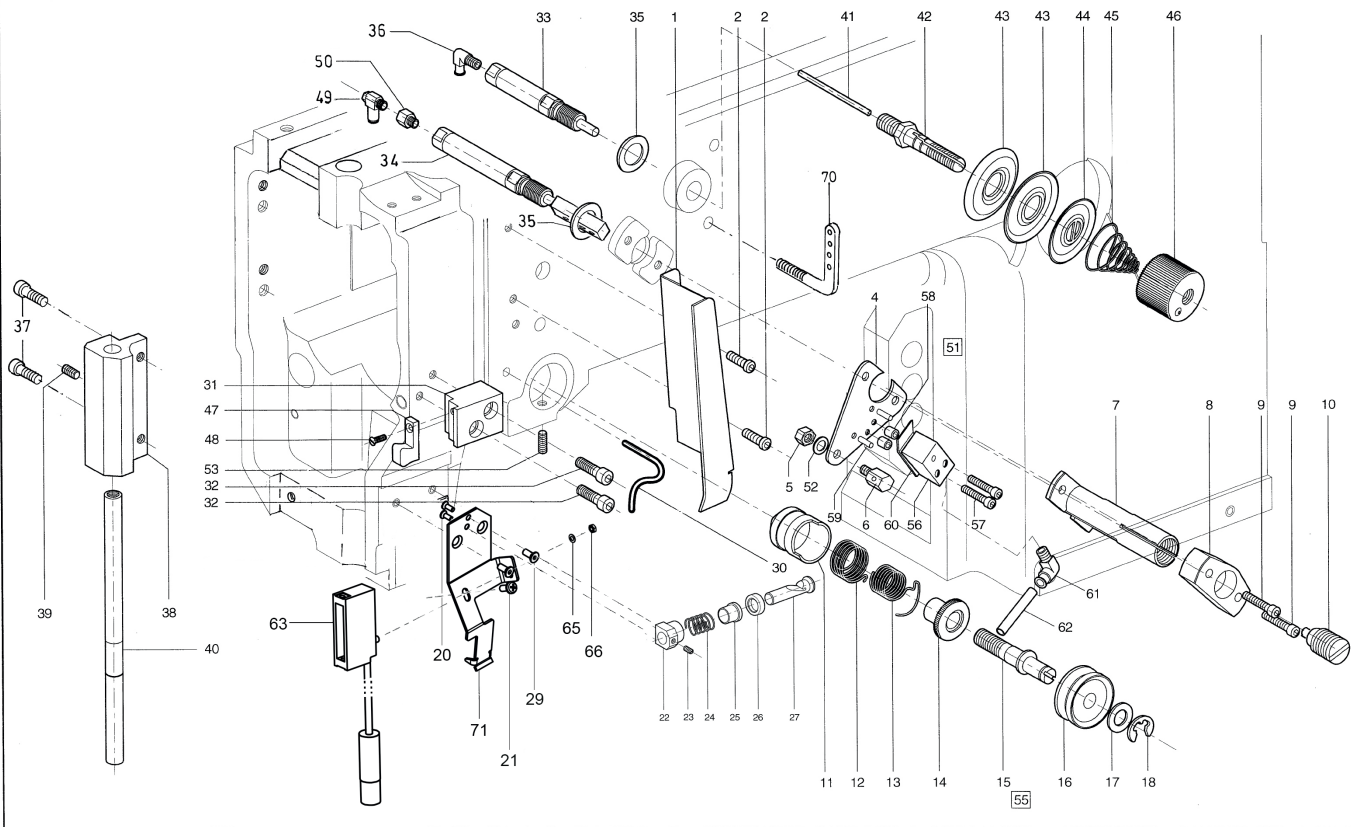


## Thread Tension With Thread Puller / Table 3

Pos.	Part no.	Name of parts
1	10209522	Protector
2	10237055	Pan Head Screw
4	10209515	Plate
5	10224991	Hexagonal Nut
6	10209507	Thread Guide
7	10209516	Guide
8	10209520	Disc
9	10224351	Cyl. Screw
10	10209517	Stud
11	10205150	Bushing
12	10200401	Tension Spring
13	10209849	Tension Spring
14	10200402	Regulating Disc
15	10209525	Bolt, Stud
16	10209526	Roll, Roller
17	10222906	Washer
18	10225312	Fastennig Disc
20	10224684	Sunk Screw
21	10237056	Pan Head Screw
22	10209524	Thread Body
23	10200038	Threaded Pin
24	10205710	Presser Spring
25	10201187	Bushing
26	10200835	Disc
27	10200838	Bolt, Stud
29	10237057	Pan Head Screw

Pos.	Part no.	Name of parts
30	10209523	Regulating Bow
31	10209483	Holder
32	10224361	Cyl. Screw
33	10225465	Cylinder
34	10225440	Cylinder
35	10225180	Disc
36	10225746	Coupling Rpls 0999
37	10224367	Cyl. Head Screw
38	10237058	Hinge
39	10224843	Threaded Pin
40	10209482	Axle
41	10203906	Needle Roller
42	10209519	Tension Bolt
43	10200068	Tension Disc
44	10209530	Thread Tension Ros.
45	10201246	Taper Pin Spring
46	10208201	Knurled Nut
47	10223107	Lock Cpl
48	10224687	Sunk Screw Rpls 099
49	10225617	Valve Reactor
50	10225759	Reducing Nipple
51	10209532	Thread Clamp (Con. Of Pos. 4-6, 52 Und 56-63)
52	10225171	Washer
53	10224826	Threaded Pin Rpls 8
54	10237059	Thread Guide (Con. Of Pos. 20-27)
55	10237060	Thread Tension (Con. Of Pos. 11-18)

Kl. 506 - 3 table 3

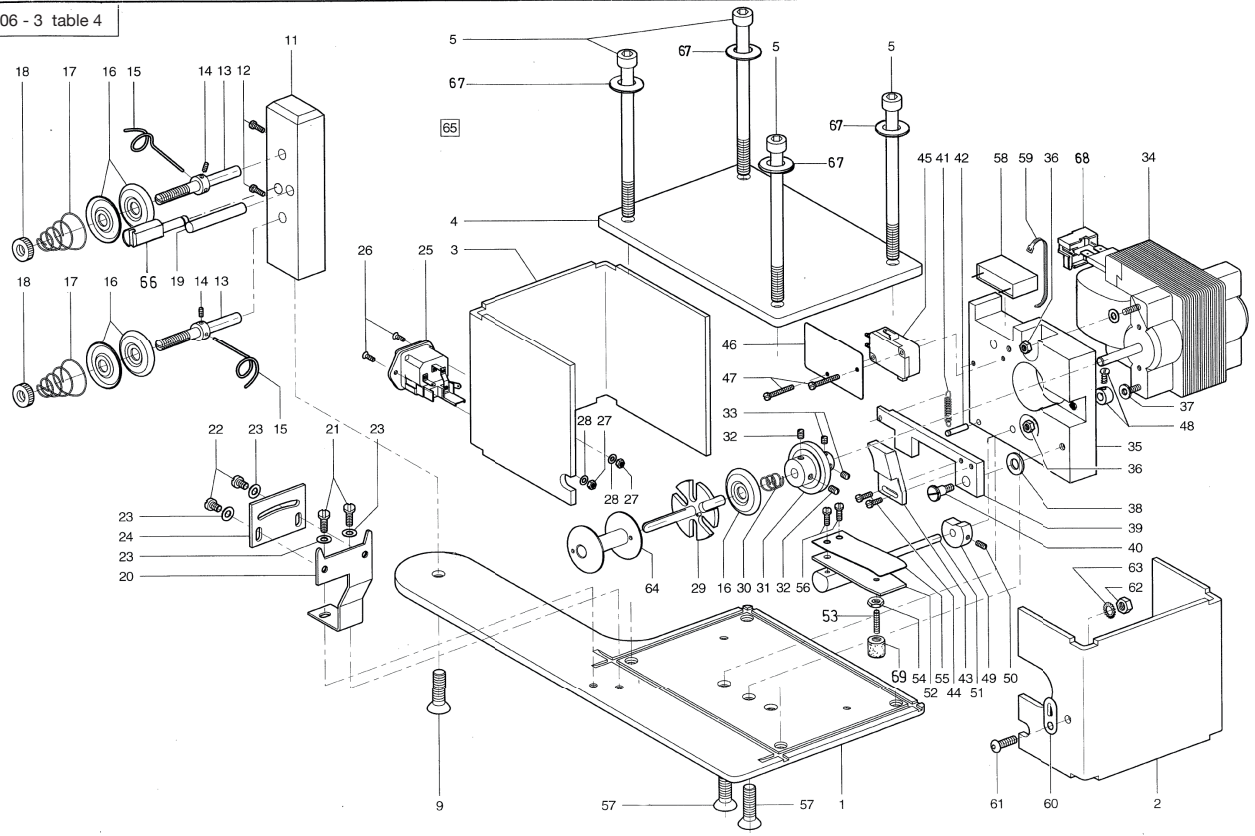




## Thread Tension With Thread Puller / Table 3

<b>Pos.</b>	<b>Part no.</b>	<b>Name of parts</b>
56	10225463	Cylinder
57	10237061	Cyl. Screw
58	10211781	Bushing
59	10225063	Cylinder Pin
60	10209531	Clamping Plate
61	10225745	Use 55-9790-201000
62	10225641	Hose Rpls 0699 9794
63	LN0000000214	Thread Control Sensor
65	10237063	Serrated Washer
66	10237064	Hexagonal Nut
70	10200316	Thread Guide
71	LX5060080021	Bracket BTSR 1000

Kl. 506 - 3 table 4

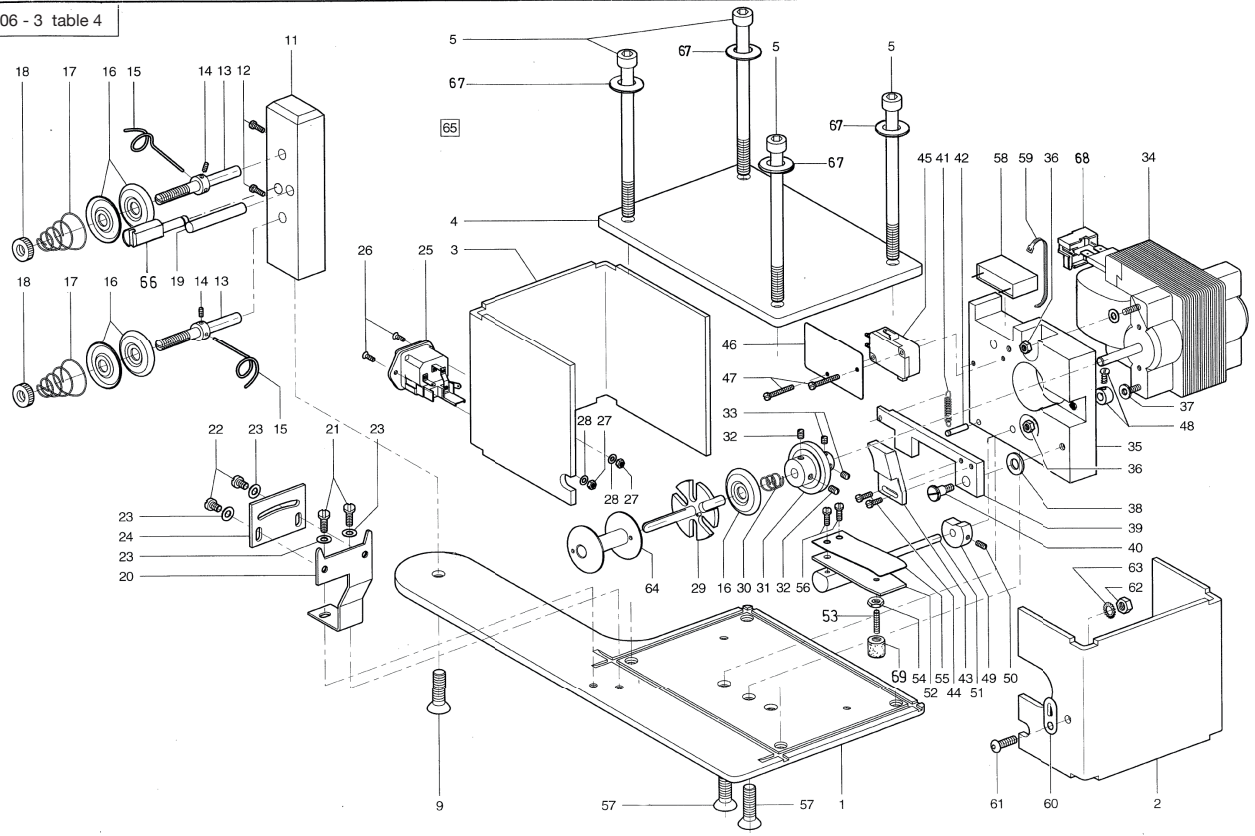


## Bobbin Winder / Table 4

Pos.	Part no.	Name of parts
1	10237066	Plate
2	10237067	Cover Panel
3	10237068	Cover Panel
4	10237069	Top Cover
5	10224414	Cyl. Screw
9	10224722	Sunk Screw
11	10237071	Stand
12	10224568	Cyl. Screw
13	10209882	Tension Bolt
14	10224821	Threaded Pin Rpls 0
15	10201215	Thread Loop
16	10200068	Tension Disc
17	10200059	Thread Tension Spr.
18	10200069	Knurled Nut
19	10225086	Pin
20	10201292	Holder
21	10224566	Cyl. Screw
22	10224560	Cyl. Screw
23	10225171	Washer
24	10209638	Guide Plate
25	10237072	Main Socket
25	10237073	Fuse Holder
25	10226223	Fuse
26	10224687	Sunk Screw Rpls 099
27	10225014	Hexagonal Nut
28	10220619	Disc

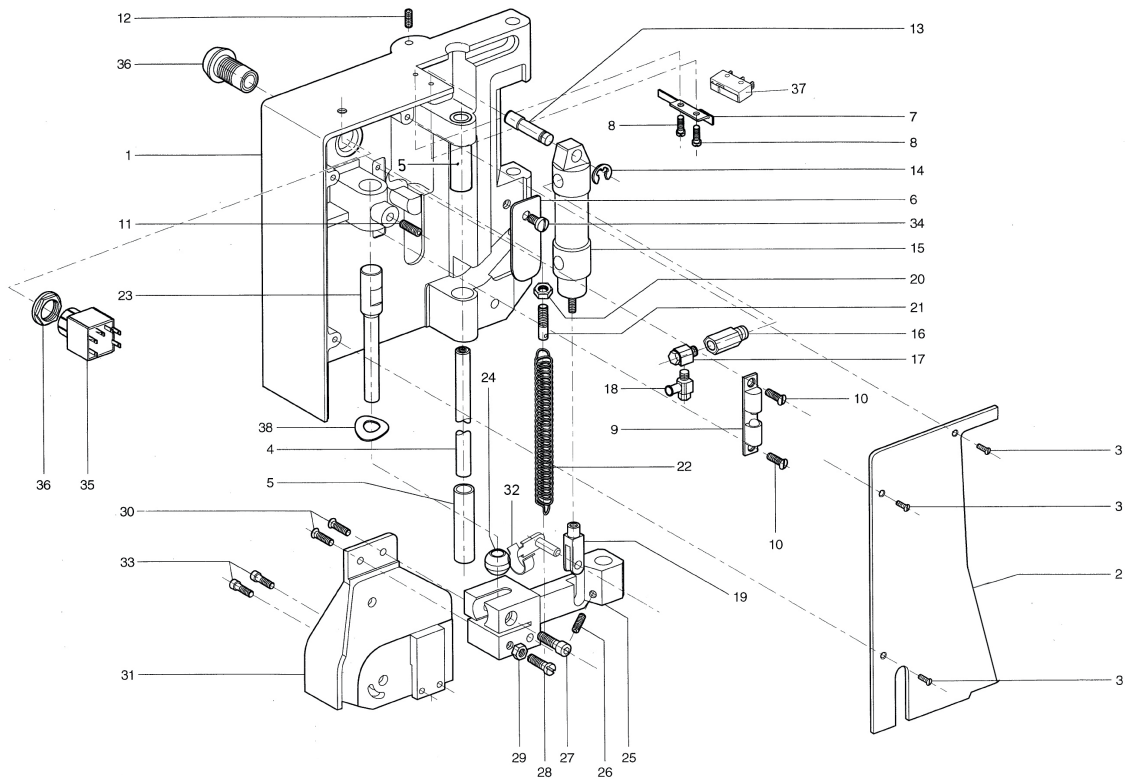
Pos.	Part no.	Name of parts
29	10209641	Winder Shaft
30	10237074	Pressure Spring
31	10209639	Winder Wheel (With Pos. 32 And 33)
32	10224845	Threaded Pin
33	10224843	Threaded Pin
34	10225806	Motor
35	10237075	Bearing Bracket
36	10225017	Hexagonal Nut
37	10225201	Washer
38	10222907	Washer
39	10237076	Bolt
40	10222787	Coutersunk Screw
41	10215031	Tensile Spring
42	10237077	Spring Pin
43	10237078	Brake
44	10224534	Cyl. Screw
45	10225998	Micro Switch
46	10226001	Insul Plate
47	10224539	Cyl. Screw
48	10222840	Set-Ring, Adjusting
49	10209640	Cam
50	10224845	Threaded Pin
51	10205175	Release Shaft
52	10209634	Lever
53	10224851	Threaded Pin
54	10225017	Hexagonal Nut

Kl. 506 - 3 table 4



## Bobbin Winder / Table 4

<b>Pos.</b>	<b>Part no.</b>	<b>Name of parts</b>
55	10209643	Switch Plate
56	10237079	Pan Head Screw
57	10224721	Sunk Screw
58	10225932	Capacitor
59	10226364	Cable Tie
60	10205619	Knife
61	10224785	Screw
62	10225020	Hexagonal Nut
63	10220622	Disc
64	10200276	Bobbin
65	10209642	Bobbin Winder (Con. Of Pos. 1-64, 66)
66	10237080	Bolt
67	10225174	Washer
68	10225807	Thermoswitch
69	10224232	Buffer

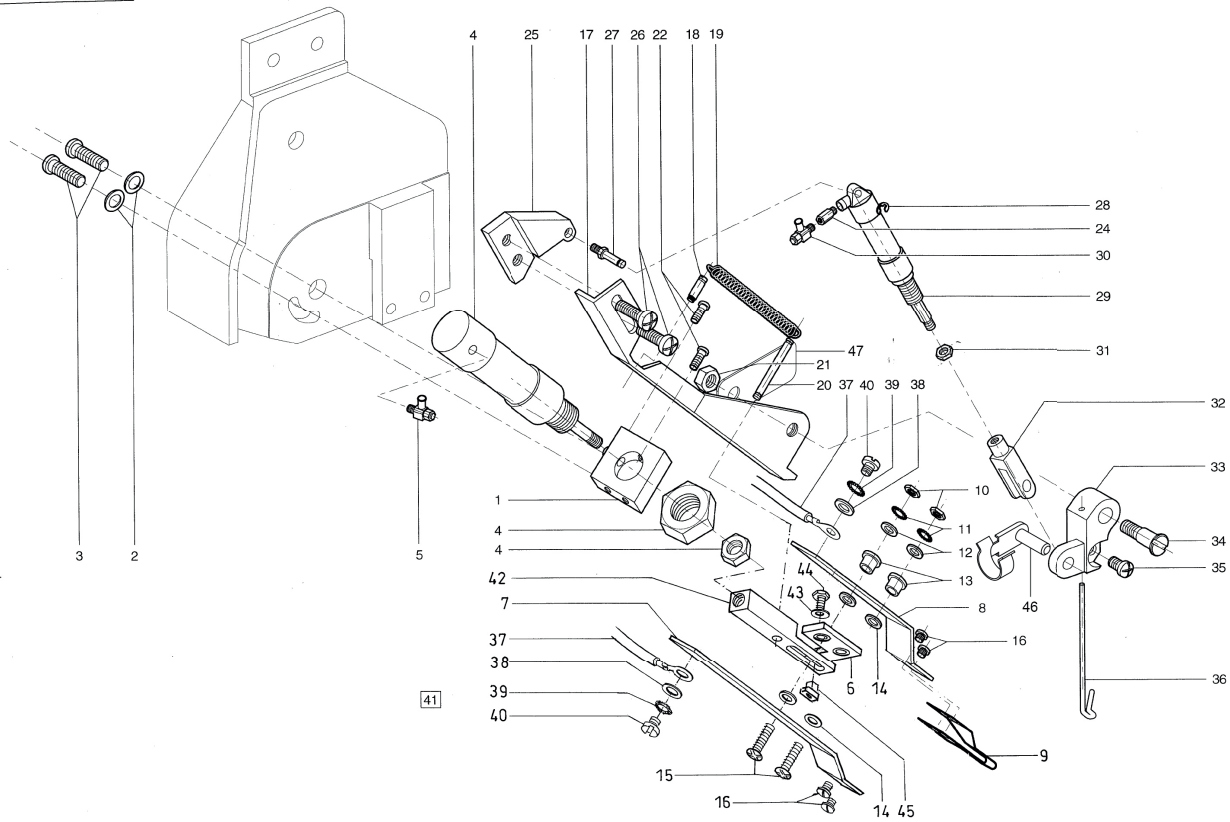


## Face Plate / Table 5

Pos.	Part no.	Name of parts
1	10209477	Face Plate
2	10209484	Cover
3	10224740	Adjusting Screw
4	10209838	Shaft
5	10209485	Bushing
6	10209498	Guide Plate
7	10209488	Switch Plate
8	10224529	Cyl. Screw M3x6 Rpl
9	10223107	Lock Cpl
10	10224687	Sunk Screw Rpls 099
11	10237081	Stud
12	10224851	Threaded Pin
13	10209784	Bolt, Stud
14	10225311	Fastennig Disc
15	10223203	Cylinder, Double
16	10216562	Joining Piece
17	10225739	Pivot Coupling Rpls
18	10225617	Valve Reactor
19	10223199	Fastening
20	10225021	Hexagonal Nut
21	10211032	Spring Pin
22	10216572	Tensile Spring
23	10237082	Shaft
24	10223112	Antifriction Bearing
25	10209782	Guide
26	10224857	Threaded Pin

Pos.	Part no.	Name of parts
27	10224379	Cyl. Screw
28	10224622	Coutersunk Screw
29	10224993	Hexagonal Nut
30	10224718	Sunk Screw
31	10209781	Holder
32	10237083	Locking Pen
33	10224343	Cyl. Screw
34	10224764	Screw
35	10225971	Contact
36	10225970	Switching Key (Black)
37	10200087	Micro Switch
38	10225344	Spring (4-12 Pcs.)

Kl. 506 - 3 table 6



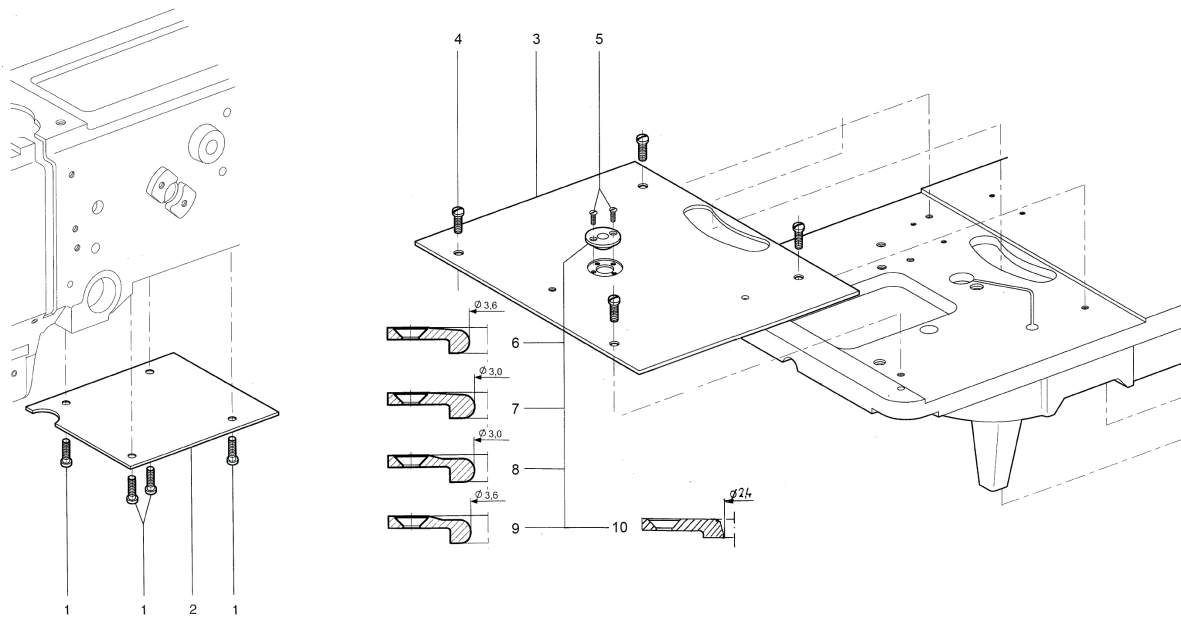


## Burning Dev. Upper Thread / Table 6

Pos.	Part no.	Name of parts
1	10209803	Holder
2	10225201	Washer
3	10237084	Phillips Head Screw
4	10225408	Cylinder
5	10225617	Valve Reactor
6	10209799	Carrier
7	10209771	Carrier Plate
8	10209772	Carrier Plate
9	10237040	Burning Tip
10	10225014	Hexagonal Nut
11	10220619	Disc
12	10225200	Disc
13	10209778	Bushing
14	10209779	Disc
15	10224691	Sunk Screw
16	10200079	Coutersunk Screw Rpl
17	10209788	Holder
18	10210977	Spring Bolt
19	10237004	Tensile Spring
20	10217915	Pin
21	10224993	Hexagonal Nut
22	10237085	Screw
23	10225021	Hexagonal Nut
24	10216562	Joining Piece
25	10209789	Support
26	10224785	Screw

Pos.	Part no.	Name of parts
27	10209783	Bolt, Stud
28	10225310	Retaining Washer
29	10225406	Cylinder
30	10225617	Valve Reactor
31	10225017	Hexagonal Nut
32	10223197	Fastening
33	10209785	Joint
34	10224657	Coutersunk Screw
35	10224764	Screw
36	10209798	Thread Smoother
37	10226705	Cable Upper Burning Device
38	10225171	Washer
39	10220621	Disc
40	10224332	Cyl. Screw
41	10209802	Support Burning Dev
42	10209800	Fork
43	10225171	Washer
44	10222697	Hexagonal Screw
45	10209888	Slide Block
46	10237086	Lock Pin
47	LX5060090005	Thread Guidance

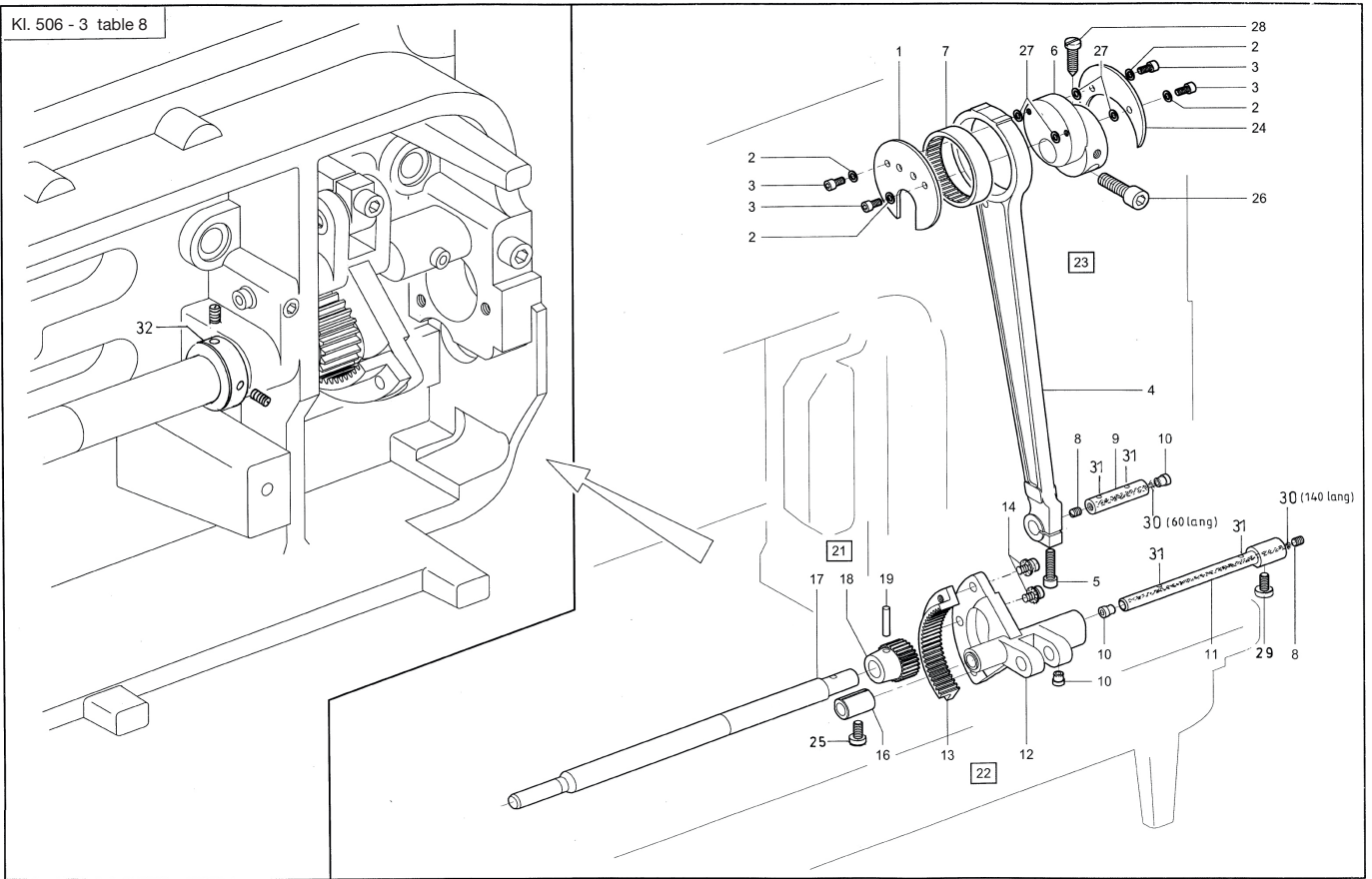
Kl. 506 - 3 table 7



## Control Curve Cover With Base Plate / Table 7

<b>Pos.</b>	<b>Part no.</b>	<b>Name of parts</b>
1	10224786	Screw
2	10237087	Plate
3	10237088	Plate
4	10223323	Screw
5	10224671	Sunk Screw
6	10209854	Throat Plate Insert (3,6 Mm)
7	10209853	Throat Plate Insert (3,0 Mm)
8	10209573	Throat Plate Insert (3,0 Mm)
9	10209574	Throat Plate Insert (3,6 Mm)
10	10209855	Throat Plate Insert (2,4 Mm)

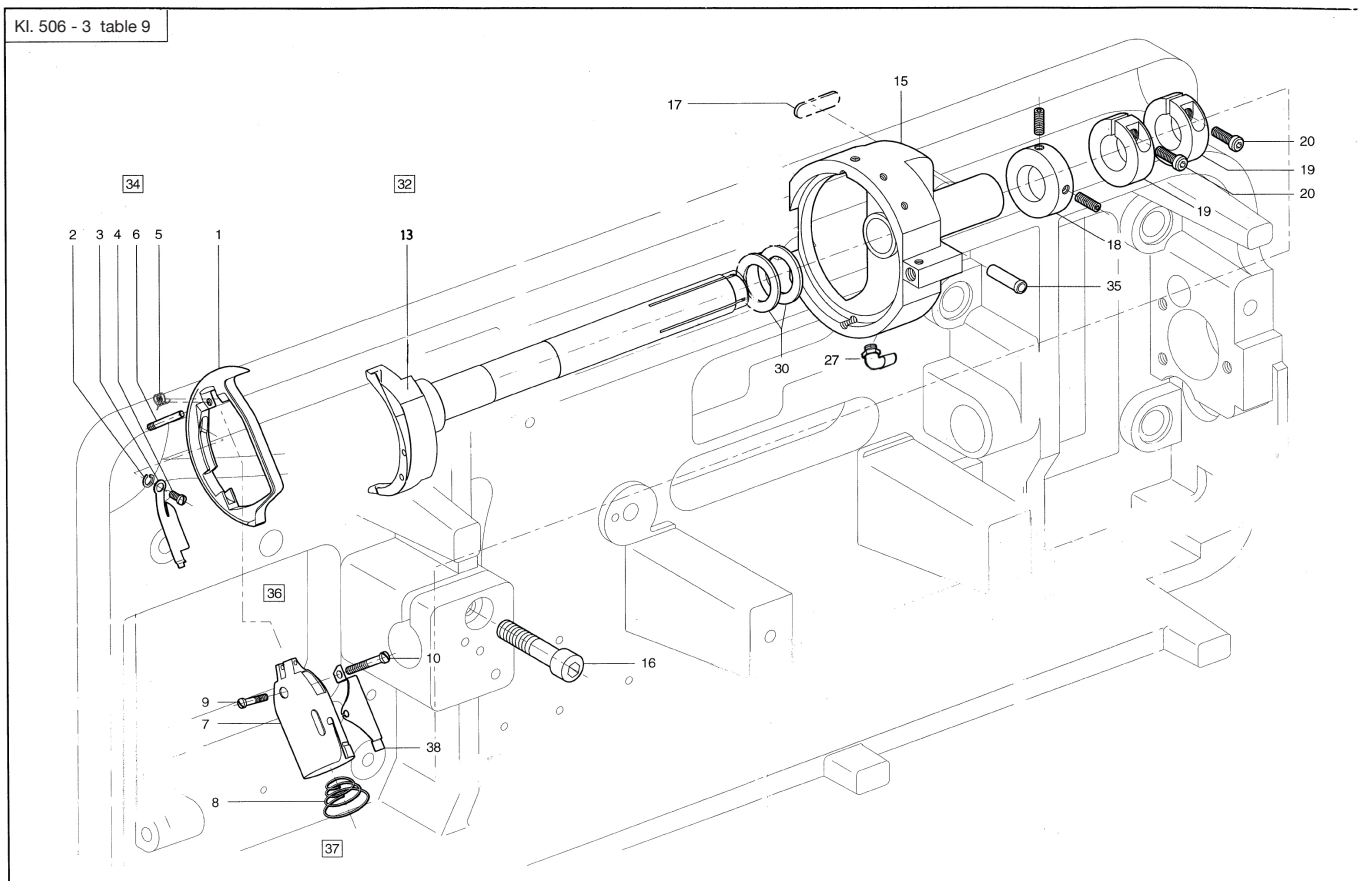
Kl. 506 - 3 table 8



## Cogged Segment / Table 8

Pos.	Part no.	Name of parts
1	10209862	Disc
2	10225171	Washer
3	10224333	Cyl. Screw
4	10237089	Pull Rod
5	10224371	Cyl. Screw
6	10237090	Excentric
7	10223259	Needle Socket
8	10224857	Threaded Pin
9	10209860	Bolt, Stud
10	10202447	Wick Holder
11	10209856	Shaft
12	10237091	Rock Shaft
13	10202245	Cogged Segment
14	10225366	Screw
16	10209859	Bushing
17	10237092	Shaft
18	10209857	Spur Gear
19	10225079	Cylinder Pin
21	10209858	Shaft (Con. Of Pos. 17-19)
22	10209861	Rock Shaft (Con. Of Pos. 12-14)
23	10202258	Draught-Rod (Con. Of Pos. 4, 6, 7)
24	10202247	Disc
25	10224923	Stud M 8X1x20
26	10224447	Cyl. Screw
27	10222916	Washer
28	10222704	Cyl. Screw

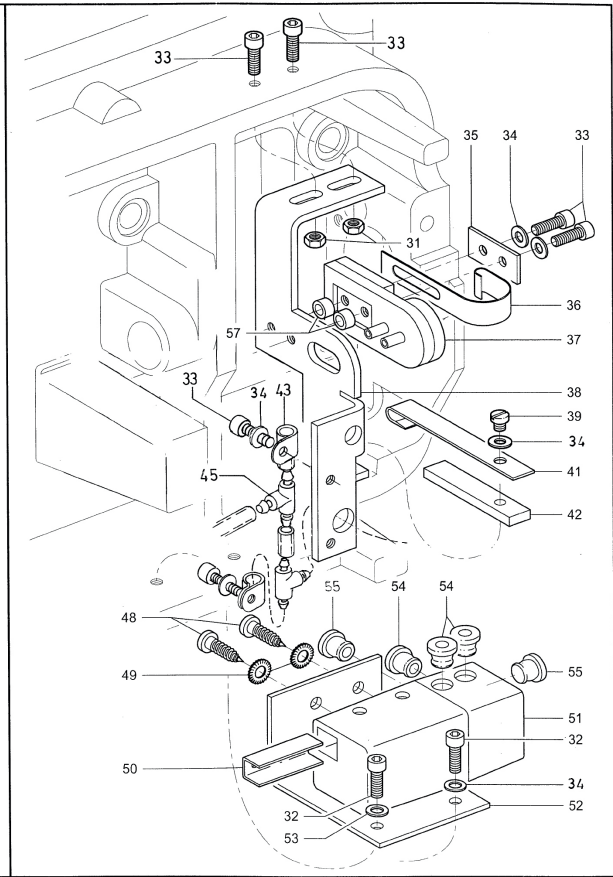
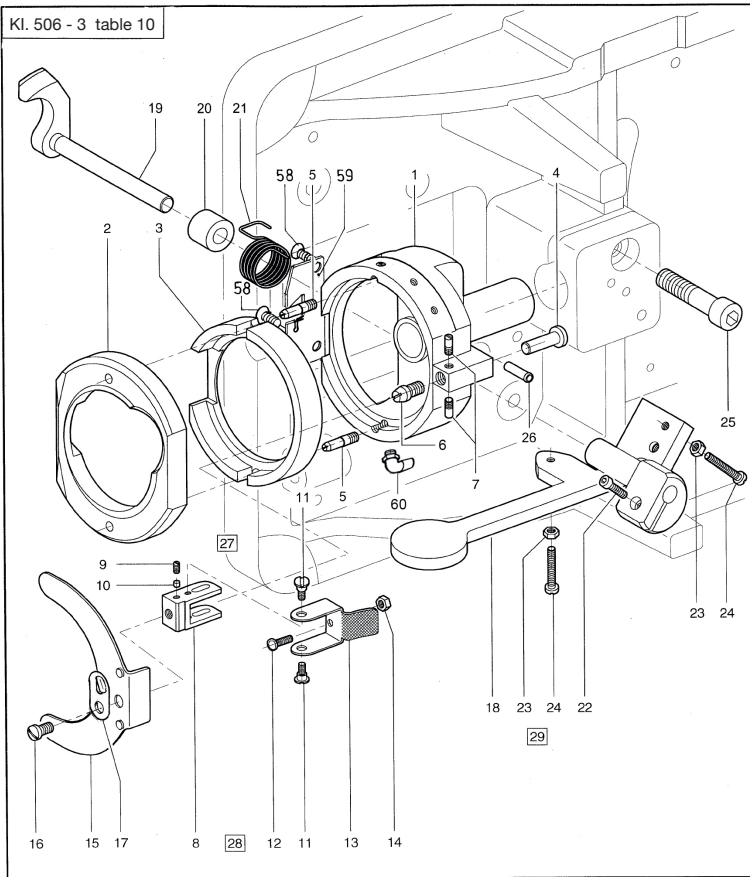
Pos.	Part no.	Name of parts
29	10224923	Stud M 8X1x20
30	10223661	Oil Wick, Round
31	10223656	Oil Wick, Round 2,0
32	10200205	Set-Ring, Adjusting



## Driver With Shuttle / Table 9

Pos.	Part no.	Name of parts
1	10209600	Shuttle Frame
2	10220607	Elastic Washer
3	10209601	Spring
4	10224516	Cyl. Screw
5	10209579	Spring
6	10202244	Bolt, Stud
7	10209608	Bobbin Case
8	10209602	Taper Pin Spring
9	10224510	Cyl. Screw
10	10222748	Screw
13	10237093	Driver Shaft
15	10209879	Support
16	10224430	Cyl. Screw
17	10202257	Felt Part
18	10209236	Adjusting Ring
19	10209604	Clamping Ring
20	10222724	Screw
27	10225745	Use 55-9790-201000
30	10222900	Washer
32	10209881	Driver Shaft (Con. Of Pos. 12 - 14, 39)
34	10237094	Shuttle Frame (Con. Of Pos. 1 - 6)
35	10207187	Nipple
36	10209867	Shuttle (Con. Of Pos. 1-10, 38)
37	10202242	Bobbin Case (Con. Of Pos. 7-10, 38)
38	10202243	Tension Spring

KI. 506 - 3 table 10

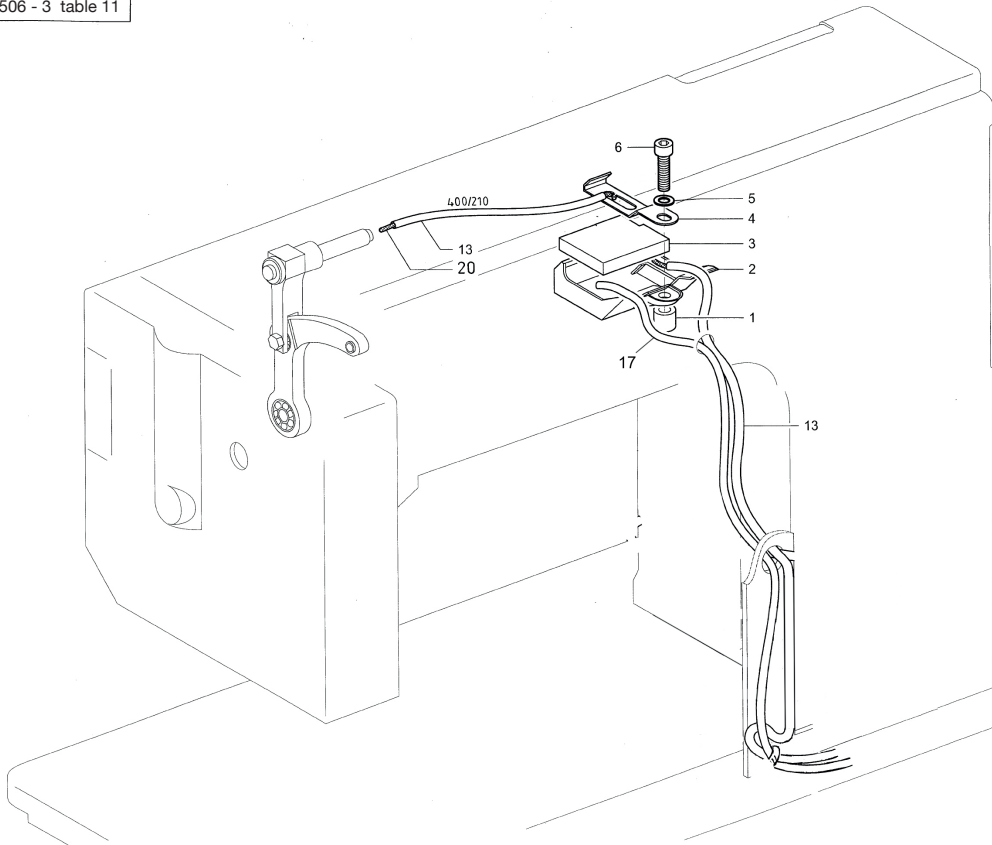




## Support With Ejector / Table 10

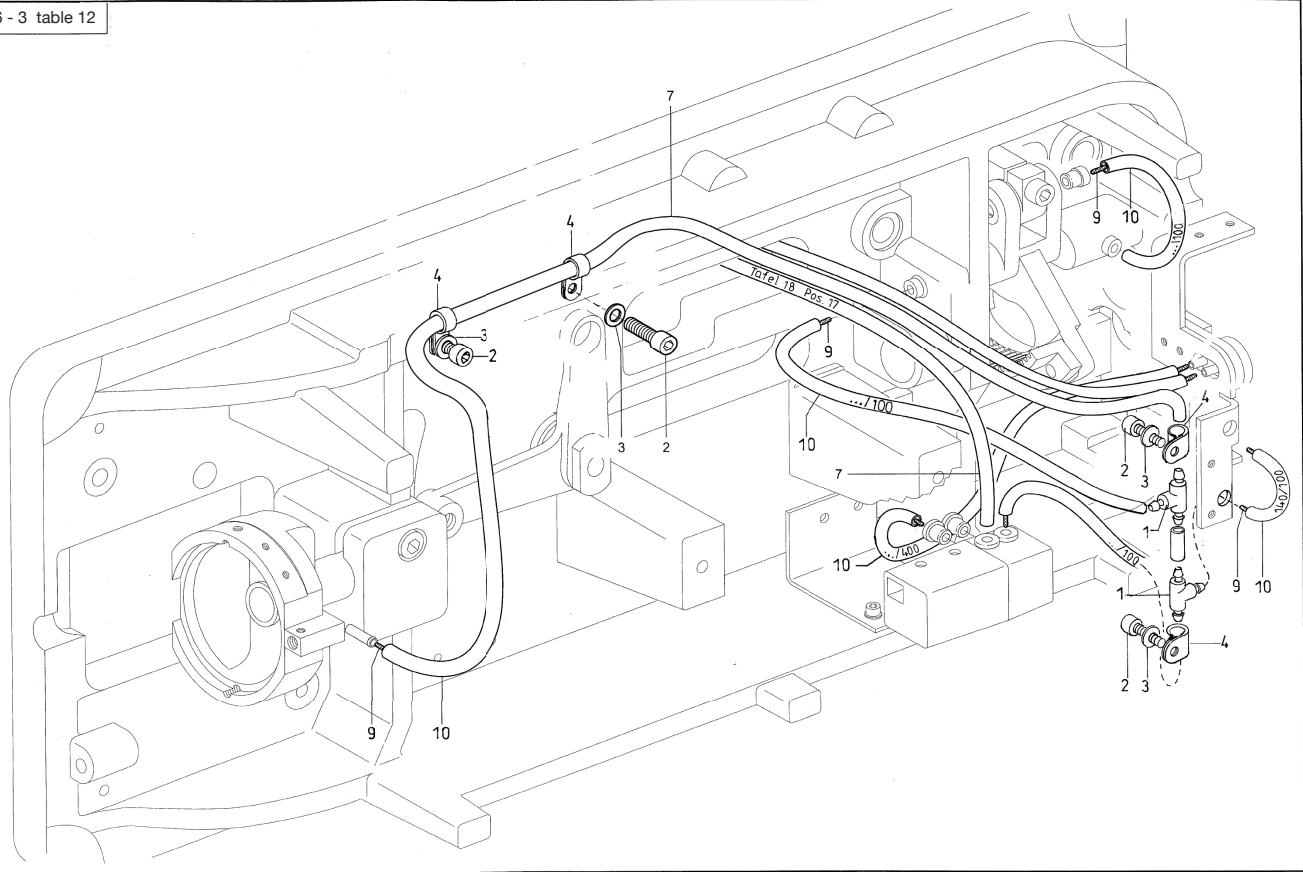
Pos.	Part no.	Name of parts
1	10209585	Support
2	10200055	Cover Ring
3	10200113	Shuttle Race
4	10200418	Slide Piece
5	10207045	Threaded Pin
6	10207046	Guiding Bolt
7	10224962	Screw
8	10209877	Hinge
9	10211163	Fastening Screw
10	10201193	Pressure Piece
11	10225371	Countersunk Screw
12	10200417	Pressure Piece
13	10200416	Bar-Tack
14	10222384	Hexagonal Nut
15	10200413	Spring
16	10213080	Screw
17	10205619	Knife
18	10209610	Ejector
19	10209866	Lever
20	10209865	Bushing
21	10209864	Spring
22	10224397	Cyl. Screw
23	10225014	Hexagonal Nut
24	10224543	Cyl. Screw
25	10224430	Cyl. Screw
26	10207187	Nipple

Pos.	Part no.	Name of parts
27	10209586	Support (Con. Of. Pos. 1 - 16)
28	10237095	Hinge (Con. Of. Pos. 8 - 16)
29	10237096	Ejector (Con. Of. Pos. 18 - 24)
31	10225017	Hexagonal Nut
32	10200119	Use 55-9202-2073 Cy
33	10224346	Cyl. Screw
34	10225171	Washer
35	10206700	Shackle
36	10209898	Leaf Spring
37	10221141	Pump
38	10209896	Holder
39	10224566	Cyl. Screw
41	10209902	Leaf Spring
42	10209899	Oil Satchel
43	10226344	Clamp
45	10237097	T-Connection T-Pk4
48	10224925	Screw
49	10215334	Toothed Washer
50	10211145	Fasten Piece
51	10237098	Oil Reservoir
52	10209897	Angle
54	10211144	Muff
55	10223691	Cap
57	10215380	Spacer
58	10224681	Sunk Screw
59	10209878	Cover Plate
60	10225745	Use 55-9790-201000



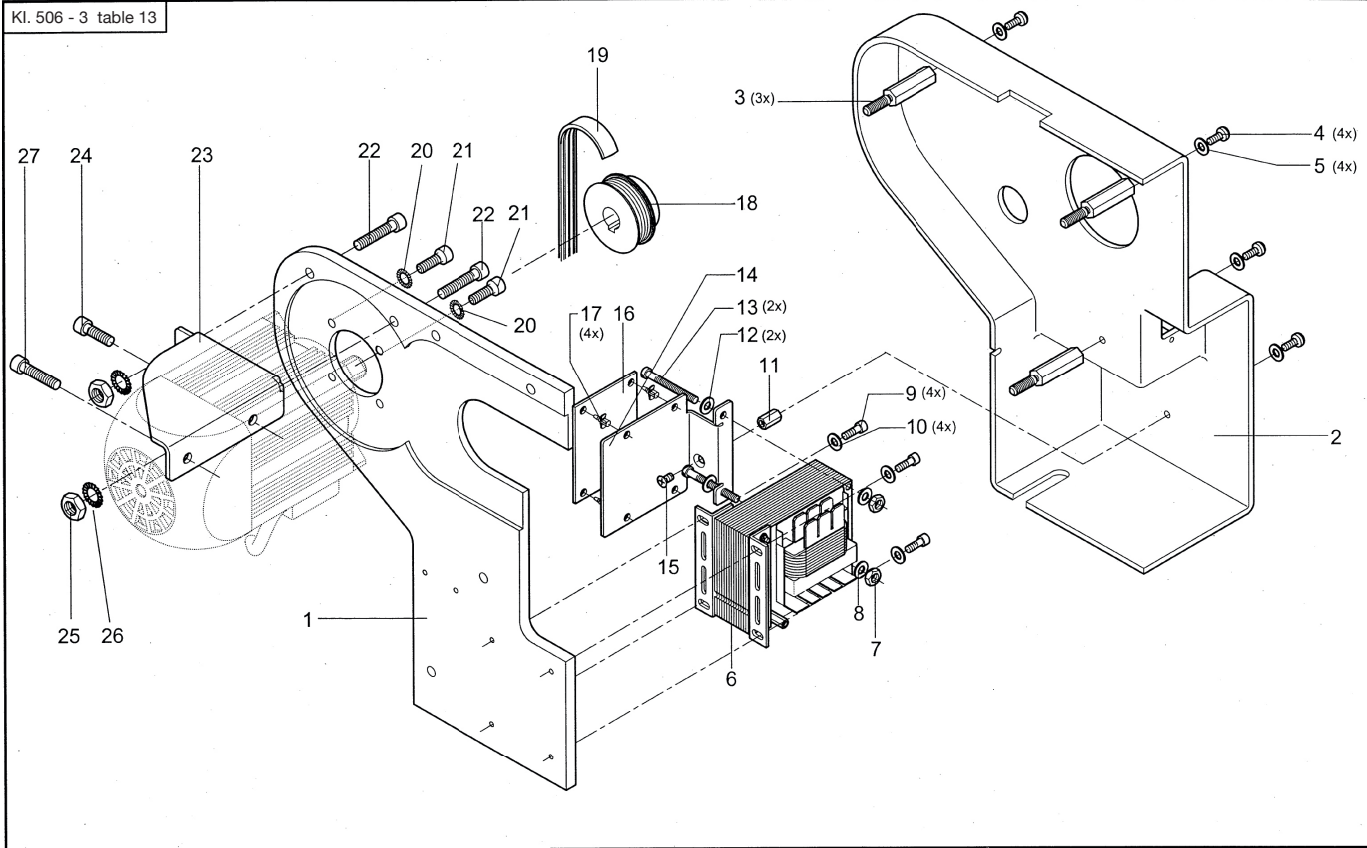
## Lubrication / Table 11

<b>Pos.</b>	<b>Part no.</b>	<b>Name of parts</b>
1	10221640	Disc
2	10221610	Oil Pan
3	10221611	Felt Part
4	10237099	Flat Spring
5	10225174	Washer
6	10224400	Cyl. Screw
13	10225636	Hose
17	10215126	Hose
20	10223661	Oil Wick, Round



## Lubrication / Table 12

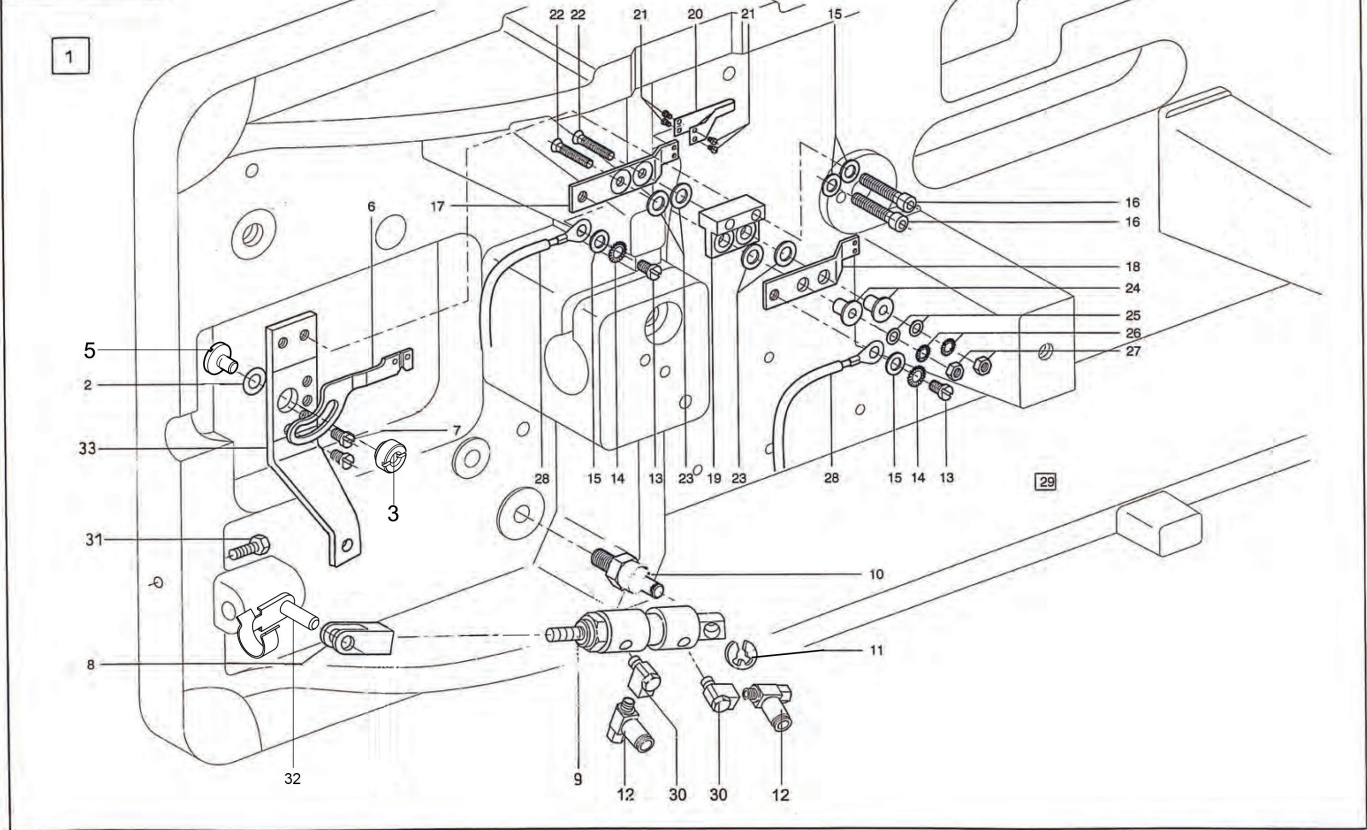
<b>Pos.</b>	<b>Part no.</b>	<b>Name of parts</b>
1	10225732	Hose Connection Rpl.
2	10224346	Cyl. Screw
3	10225171	Washer
4	10226344	Clamp
6	10223658	Oil Wick, Round Rpls
7	10225635	Tube
8	10224858	Thread Pin M5x6 Rpl.
9	10223656	Oil Wick, Round 2,0
10	10215126	Hose



## Burning Transformer / Table 13

Pos.	Part no.	Name of parts
1	10209842	Flange
2	10209841	Belt Cover
3	10209845	Bolt, Stud
4	10224766	Screw
5	10225171	Washer
6	LN0000000100	Transformer
7	10225017	Hexagonal Nut
8	10225171	Washer
9	10224583	Cyl. Screw
10	10225171	Washer
11	10226252	Bolt
12	10225171	Washer
13	10237100	Cyl. Screw
14	LN0000000102	Holder
15	10224979	Sunk Screw
16	LX5060080080	Pcb
17	10226243	Distance Bushing
18	10224179	V-Belt Pulley
19	10224155	Ribbed Tape
20	10220622	Disc
21	10224372	Cyl. Screw
22	10224402	Cyl. Screw
23	10209843	Angle
24	10224398	Cyl. Screw

Pos.	Part no.	Name of parts
25	10225022	Hexagonal Nut
26	10211386	Toothed Washer
27	10224402	Cyl. Screw

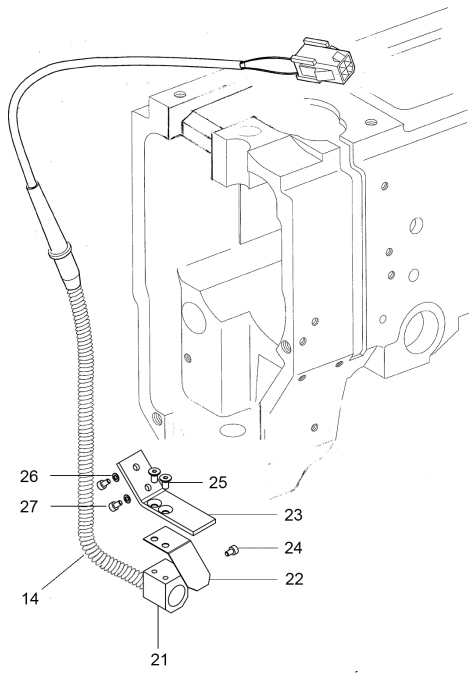




## Burning Device Lower Thread / Table 14

Pos.	Part no.	Name of parts
1	10237101	Burning Device (Con. Of Pos. 2-23)
2	10222901	Washer
3	10237102	Busching
5	10237103	Flat Headed Screw
6	10209801	Thread Puller Lever
7	10222679	Screw
8	10222236	Fork Head
9	10200060	Cylinder,Double
10	10209891	Bolt, Stud
11	10225310	Retaining Washer
12	10225618	Valve Reactor
13	10224332	Cyl. Screw
14	10220621	Disc
15	10225171	Washer
16	10224347	Cyl. Screw
17	10209771	Carrier Plate
18	10209772	Carrier Plate
19	10209776	Carrier
20	10237040	Burning Tip
21	10200079	Coutersunk Screw Rpl
22	10224691	Sunk Screw
23	10209779	Disc
24	10209778	Bushing
25	10225200	Disc
26	10237104	Disc
27	10225014	Hexagonal Nut

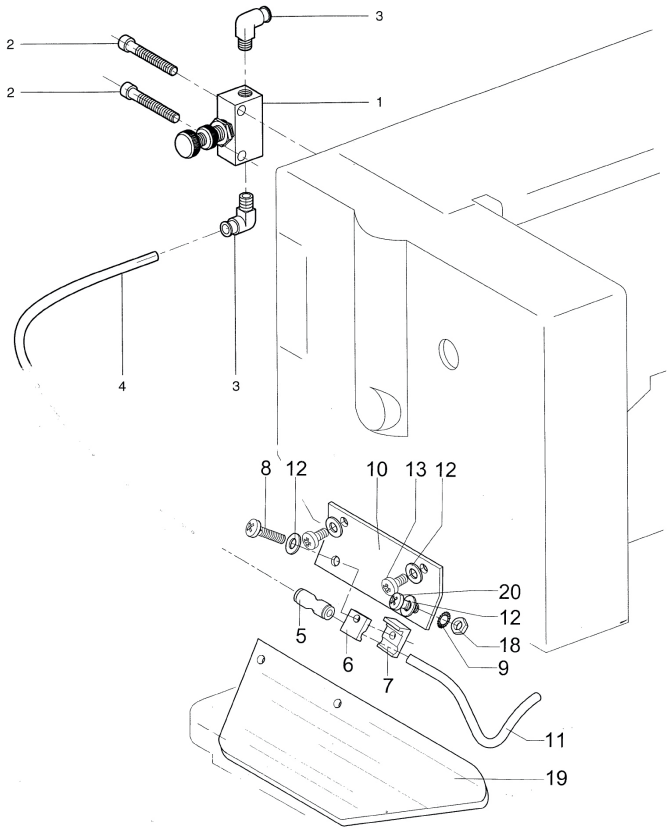
Pos.	Part no.	Name of parts
28	10237105	Burning Cable (Lower Thread)
29	10237106	Burning Bracket
30	10225739	Pivot Coupling Rpls
31	10224275	Hexagonal Screw
32	10237107	Lock Pin
33	10209889	Lever



## Illumination / Table 15

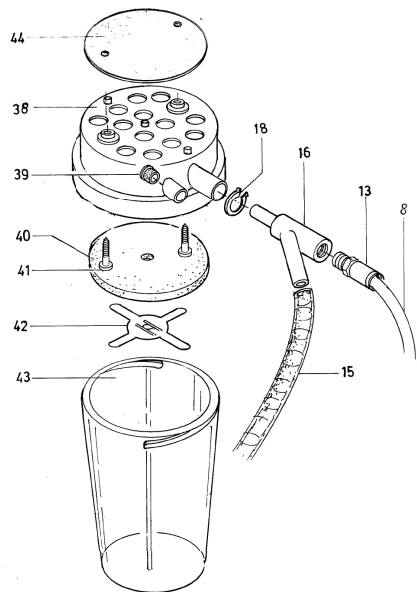
<b>Pos.</b>	<b>Part no.</b>	<b>Name of parts</b>
14	10226123	Sewing Lamp
21	LX5060090013	Block, Light
22	LX5060090012	Mirror, Light
23	LX5060090011	Bracket, Light
24	10237108	Cyl. Screw
25	10237109	Sunk Screw
26	10237110	Washer
27	10237111	Cyl. Screw

Kl. 506 - 3 table 16



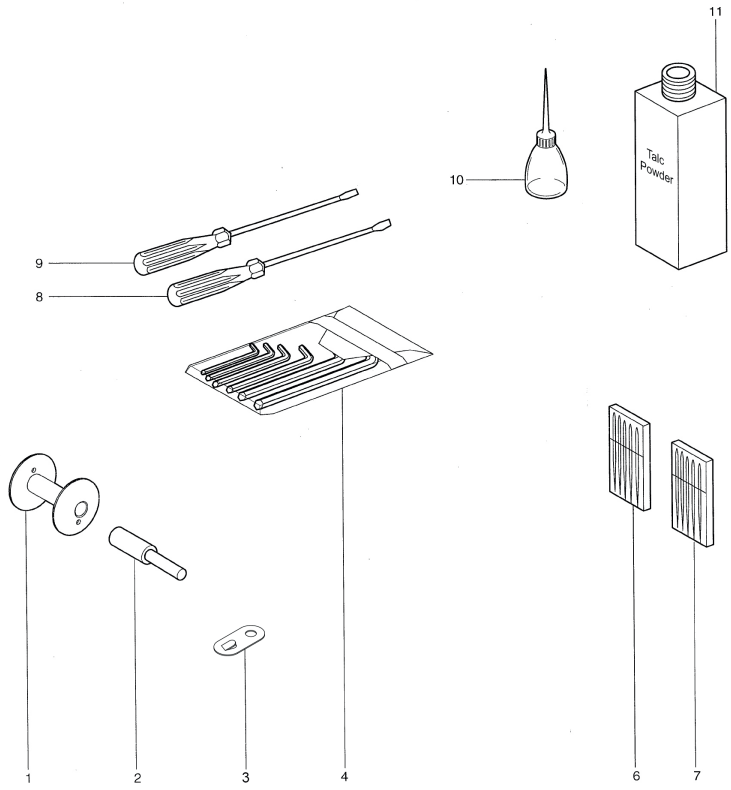
## Needle Cooling / Table 16

<b>Pos.</b>	<b>Part no.</b>	<b>Name of parts</b>
1	10225621	Valve Reactor
2	10224351	Cyl. Screw
3	10225746	Coupling Rpls 0999
4	10225641	Hose Rpls 0699 9794
5	10223289	Coupling
6	10209893	Blowing Tube Holder
7	10222001	Cover
8	10224770	Screw
9	10237112	Disc
10	10209847	Angle
11	10209894	Blowing Tube
12	10225201	Washer
13	10224763	Screw
18	10225017	Hexagonal Nut
19	10209494	Panel
20	10224766	Screw



## Upper thread clamping / Table 17

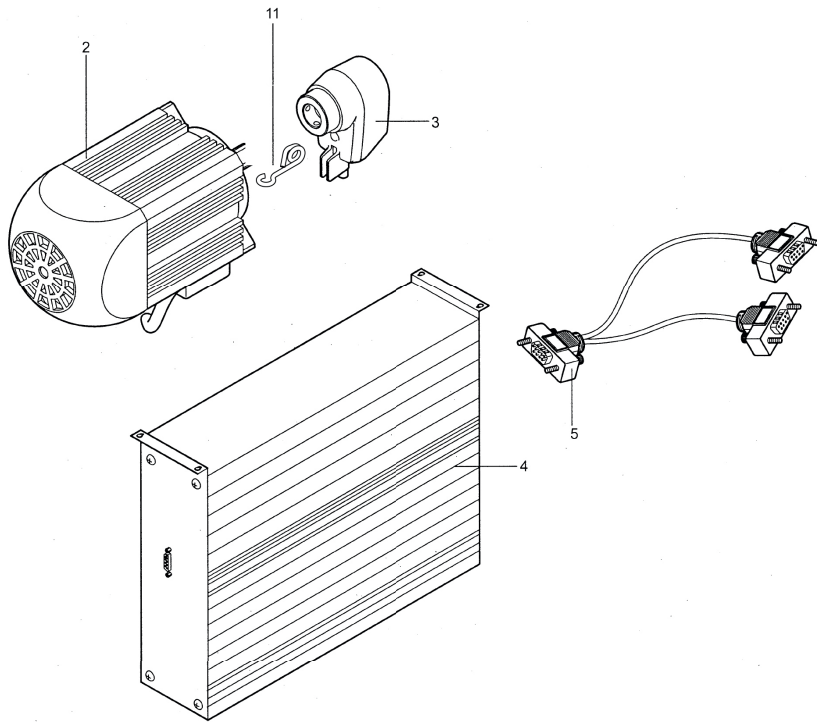
<b>Pos.</b>	<b>Part no.</b>	<b>Name of parts</b>
8	10225642	Hose Rpls 0699 9794
13	10223280	Coupling
15	10215130	Hose 12,0Lwx2,0 Pvc
16	10200035	Suction Pipe
18	10225259	Retainer Ring
38	10213739	Cover
39	10202431	Plug
40	10201125	Washer
41	10224941	Screw
42	10213744	Clamping Plate
43	LN0000000191	Container
44	LN0000000193	Foam





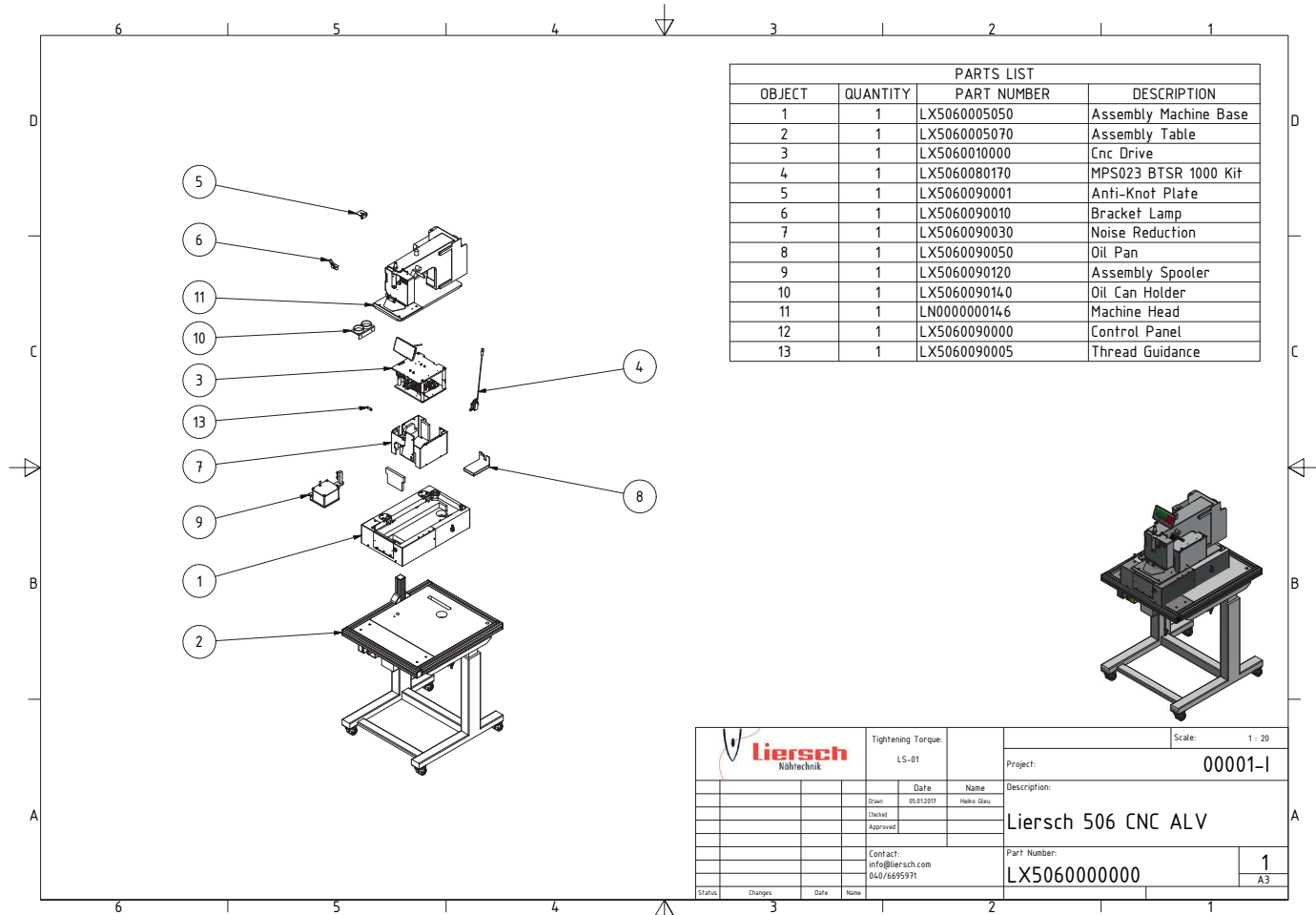
## Accessoires Kit / Table 18

<b>Pos.</b>	<b>Part no.</b>	<b>Name of parts</b>
1	10200276	Bobbin
2	10209647	Pin
3	10237113	Hook Knife
4	10222366	Wrench
6	10237114	Needle 328/230 San 5
7	10237115	Needle 328/200 San 5
8	10223721	Screwdriver
9	10223722	Screwdriver
10	10237116	Oil Can
11	10237117	Talc Powder

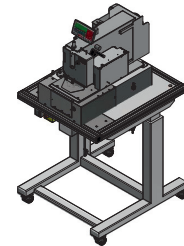


## Electronic parts / table 19

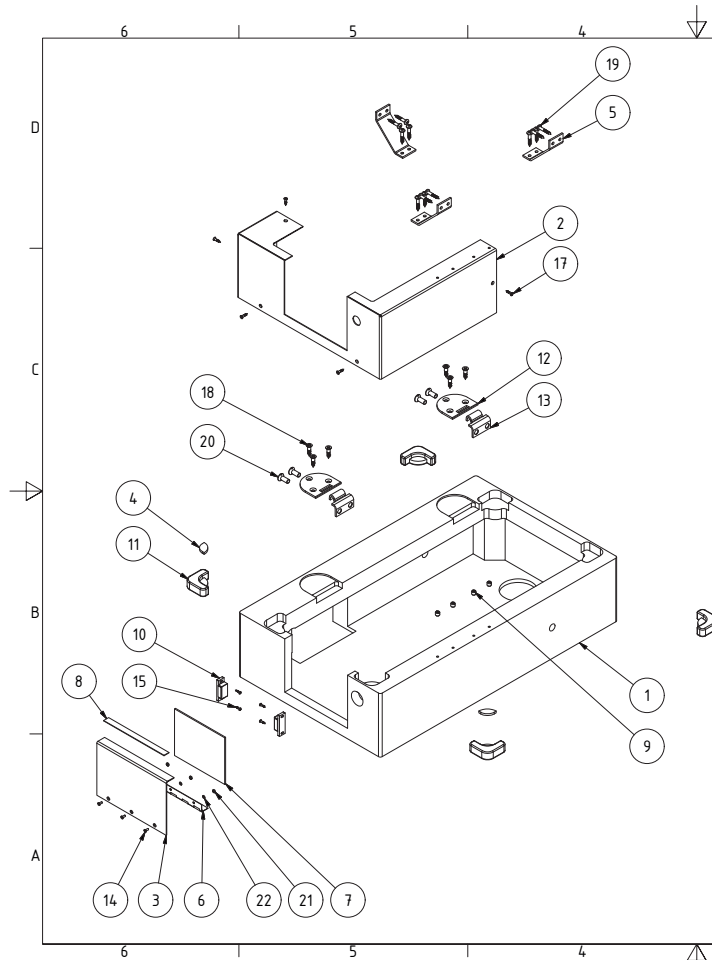
<b>Pos.</b>	<b>Part no.</b>	<b>Name of parts</b>
2	10200123	Motor
3	LN0000000174	Encoder
4	LN0000000175	Control Box
5	10225846	Adaptor
11	10237122	Thread Guide



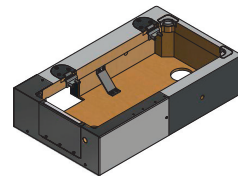
PARTS LIST			
OBJECT	QUANTITY	PART NUMBER	DESCRIPTION
1	1	LX5060005050	Assembly Machine Base
2	1	LX5060005070	Assembly Table
3	1	LX5060010000	Cnc Drive
4	1	LX5060080170	MPS023 BTSR 1000 Kit
5	1	LX5060090001	Anti-Knot Plate
6	1	LX5060090010	Bracket Lamp
7	1	LX5060090030	Noise Reduction
8	1	LX5060090050	Oil Pan
9	1	LX5060090120	Assembly Spooler
10	1	LX5060090140	Oil Can Holder
11	1	LN0000000146	Machine Head
12	1	LX5060090000	Control Panel
13	1	LX5060090005	Thread Guidance



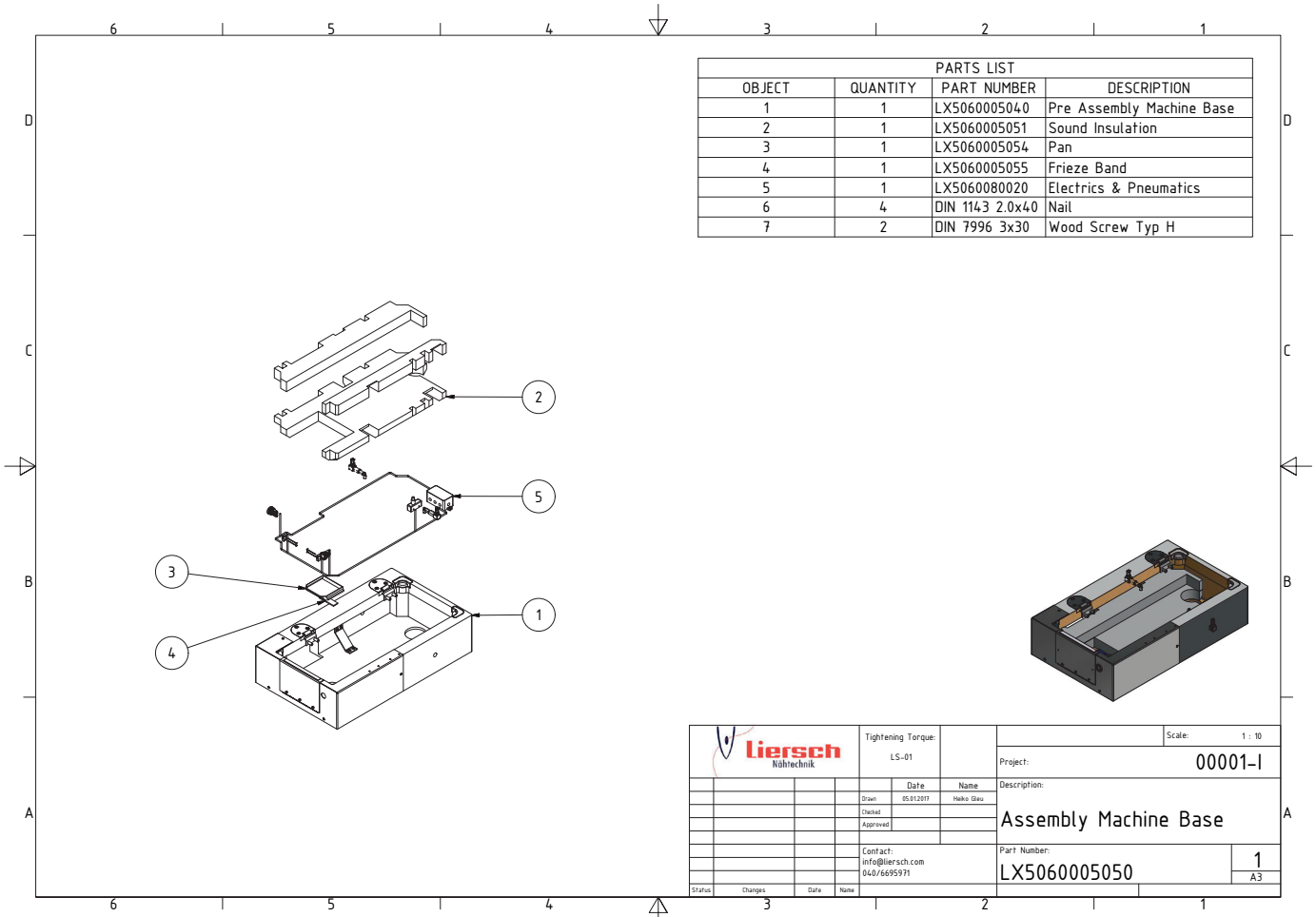
		Tightening Torque:		Scale: 1 : 20	
		LS-01		Project: 00001-I	
		Drawn:	Date:	Description:	
		Checked:	05.01.2017	Liersch 506 CNC ALV	
		Approved:	Hilke Glau	Part Number:	
		Contact:		LX5060000000	
		info@liersch.com		1	
		040/6695971		A3	
Status:	Changes:	Date:	Name:		



PARTS LIST			
OBJECT	QUANTITY	PART NUMBER	DESCRIPTION
1	1	LX5060005001	Machine Base
2	1	LX5060005002	Machine Base Cover
3	1	LX5060005003	Lid
4	2	LX5060005004	Support
5	3	LX5060005005	Angle
6	1	LX5060005006	Hinge
7	1	LX5060005007	Sound Insulation
8	1	LX5060005008	Ruler
9	4	LN0000000103	Insert
10	2	LN0000000104	Magnet
11	4	LN0000000105	Support
12	2	LN0000000106	Hinge
13	2	LN0000000107	Hinge
14	3	DIN 7991 - M3 x 8	Countersunk Screw
15	4	DIN 7996 2.5x12	Wood Screw Typ H
16	3	DIN 7997 2.5x10	Wood Screw Typ H
17	5	DIN 7997 3.5x16	Wood Screw Typ H
18	6	DIN 7997 6x25	Wood Screw Typ H
19	12	DIN 7996 5x30	Wood Screw Typ H
20	4	DIN 963 - M8 x 20	Countersunk Screw
21	3	ISO 4032 - M3	Hex Nut. Product grades A and B
22	3	ISO 7092 - 3	Washer

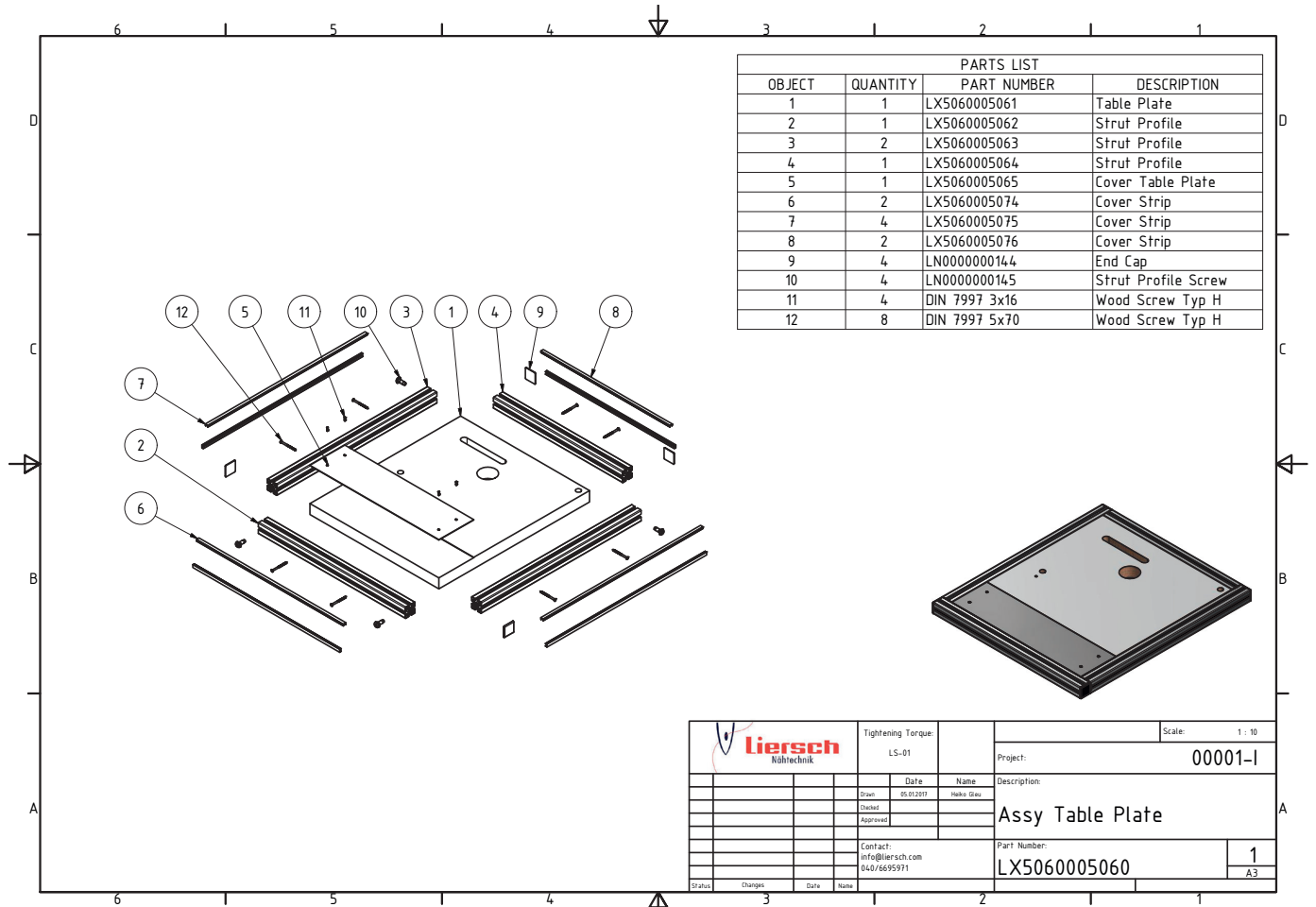


		Tightening Torque:		Scale: 1:6	
		LS-01		Project: 00001-I	
		Drawn:	Date:	Name:	Description:
		Checked:	05.01.2017	Hilke Glau	Pre Assembly Machine Base
		Approved:			
		Contact:	Part Number:		
		info@liersch.com	LX5060005040		1
		040/6695971			A3
Status:	Changes:	Date:	Name:		

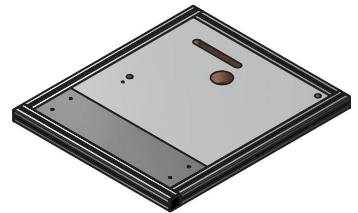


		PARTS LIST	
OBJECT	QUANTITY	PART NUMBER	DESCRIPTION
1	1	LX5060005040	Pre Assembly Machine Base
2	1	LX5060005051	Sound Insulation
3	1	LX5060005054	Pan
4	1	LX5060005055	Frieze Band
5	1	LX5060080020	Electrics & Pneumatics
6	4	DIN 1143 2.0x4.0	Nail
7	2	DIN 7996 3x30	Wood Screw Typ H

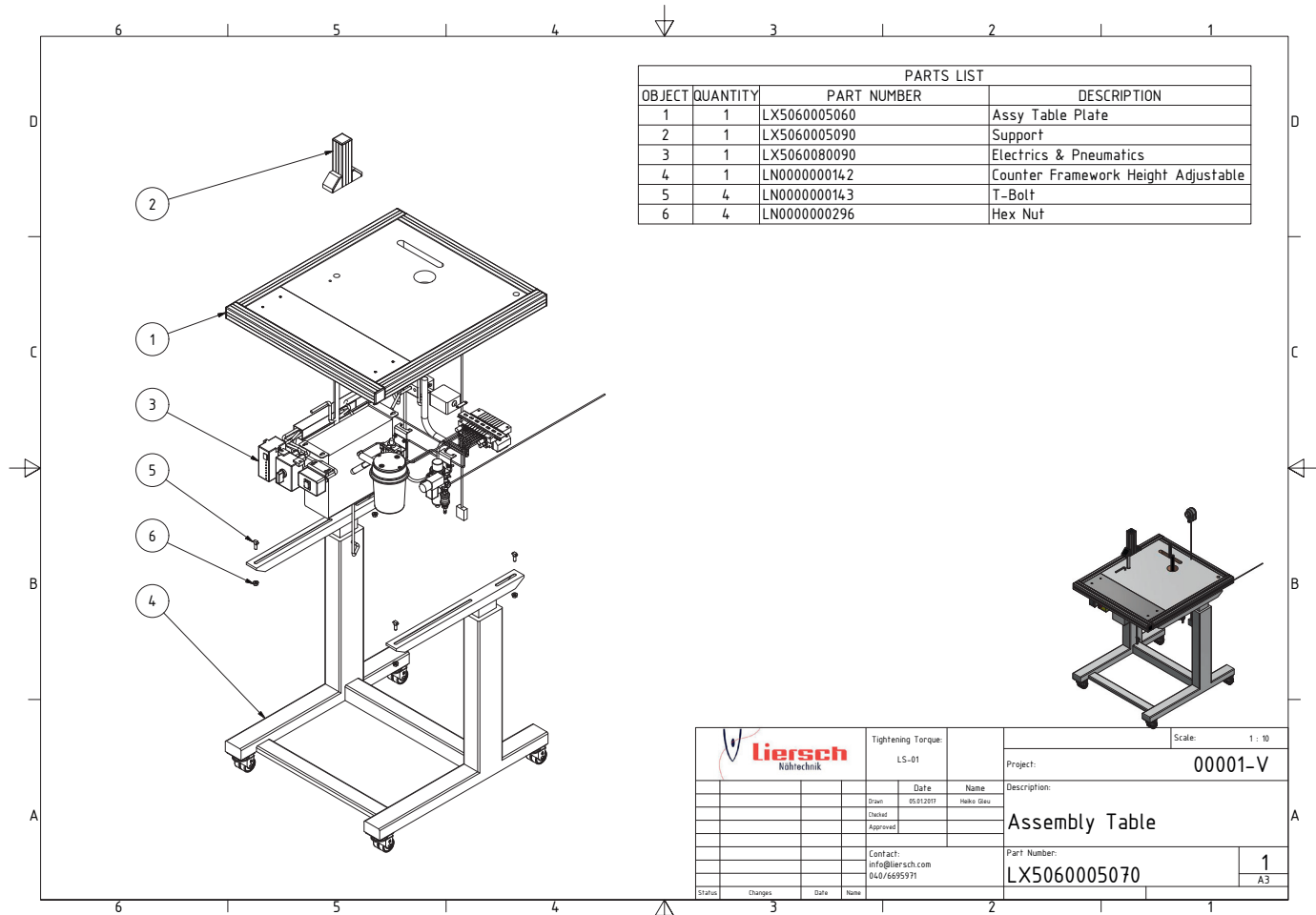
		Tightening Torque:		Scale: 1 : 10	
		LS-01		Project: 00001-I	
		Drawn:	Date:	Name:	Description: Assembly Machine Base
		05.01.2017		Hilke Glau	
		Checked:			
		Approved:			
		Contact:		Part Number:	
		info@liersch.com		LX5060005050	
		040/6695971		1	
Status:	Changes:	Date:	Name:	A3	



PARTS LIST			
OBJECT	QUANTITY	PART NUMBER	DESCRIPTION
1	1	LX5060005061	Table Plate
2	1	LX5060005062	Strut Profile
3	2	LX5060005063	Strut Profile
4	1	LX5060005064	Strut Profile
5	1	LX5060005065	Cover Table Plate
6	2	LX5060005074	Cover Strip
7	4	LX5060005075	Cover Strip
8	2	LX5060005076	Cover Strip
9	4	LN0000000144	End Cap
10	4	LN0000000145	Strut Profile Screw
11	4	DIN 7997 3x16	Wood Screw Typ H
12	8	DIN 7997 5x70	Wood Screw Typ H



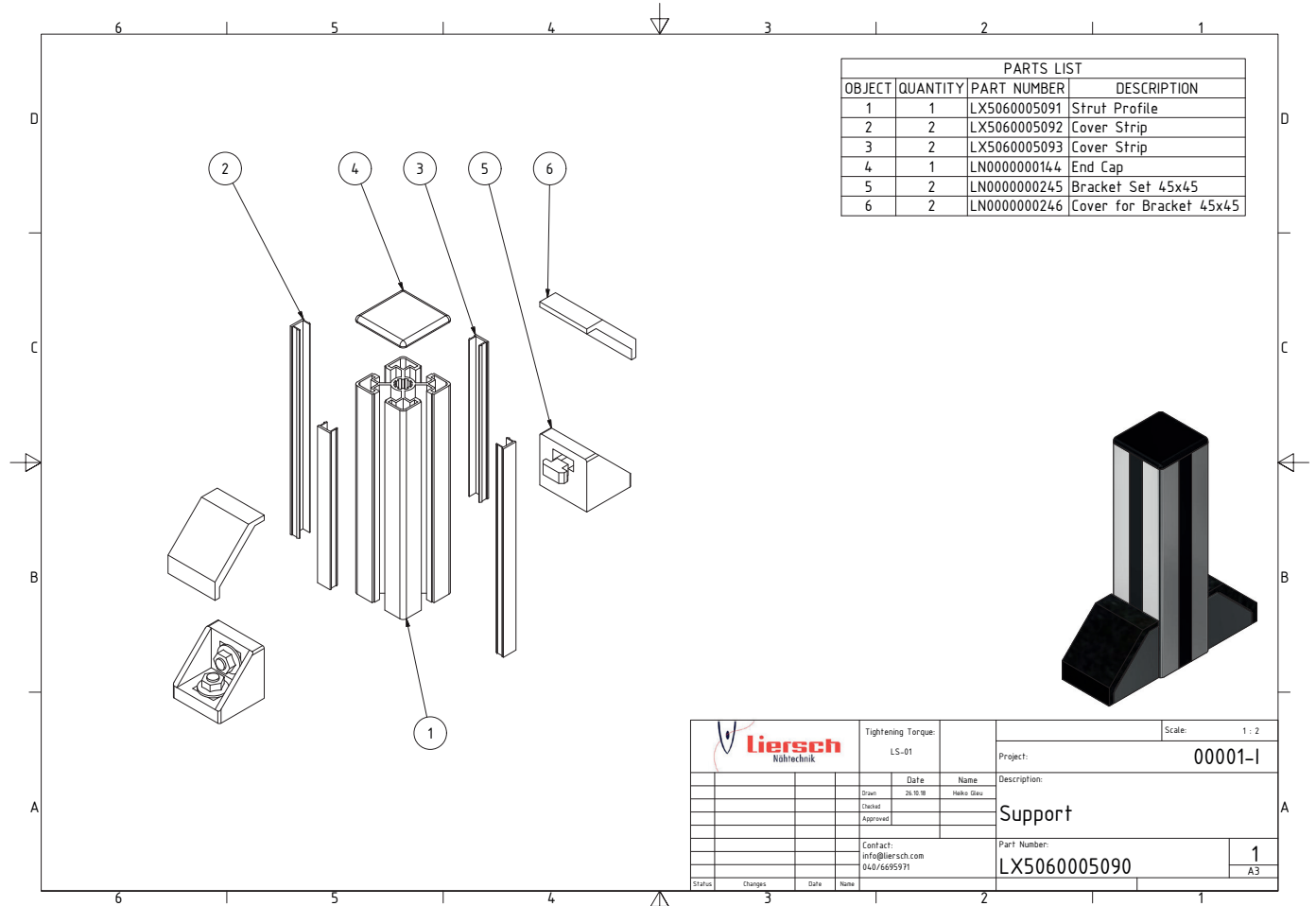
		Tightening Torque:		Scale: 1 : 10	
		LS-01		Project: 00001-I	
		Drawn:	Date:	Name:	Description: Assy Table Plate
		05.01.2017		Halle Glau	
		Checked:			
		Approved:			
		Contact:	Part Number:		
		info@liersch.com	LX5060005060		1
		040/6695971			A3
Status:	Changes:	Date:	Name:		



PARTS LIST					
OBJECT	QUANTITY	PART NUMBER		DESCRIPTION	
1	1	LX5060005060		Assy Table Plate	
2	1	LX5060005090		Support	
3	1	LX5060080090		Electrics & Pneumatics	
4	1	LN000000142		Counter Framework Height Adjustable	
5	4	LN0000000143		T-Bolt	
6	4	LN0000000296		Hex Nut	

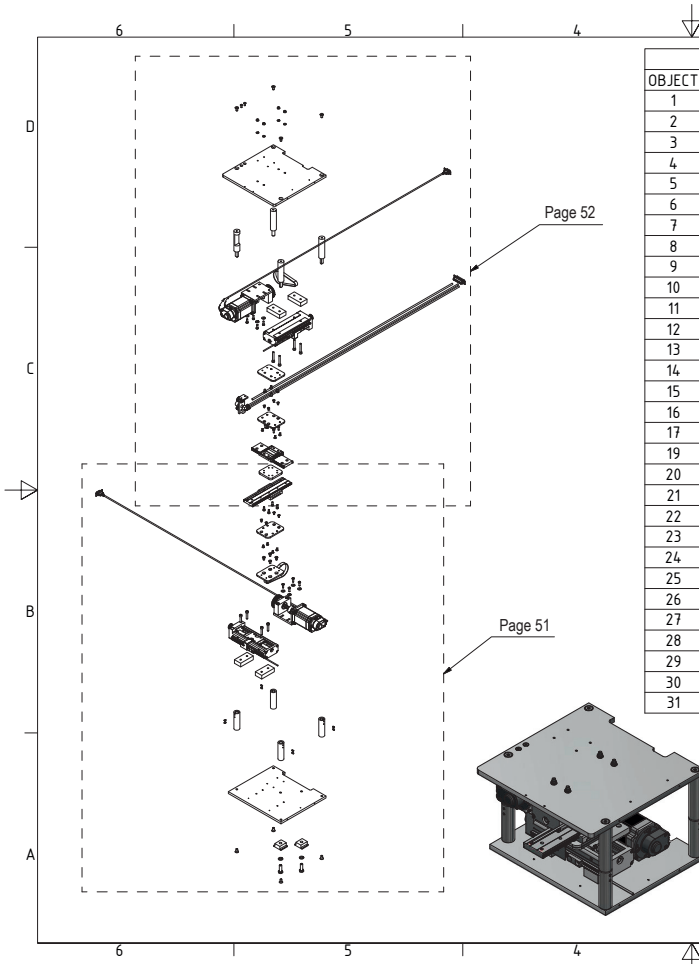
	Tightening Torque:		Scale: 1 : 10	
	LS-01		Project: 00001-V	
	Drawn:	Date:	Name:	Description:
	Checked:	05.01.2017	Hilke Glau	Assembly Table
Approved:				
Contact:			Part Number:	
info@liersch.com			LX5060005070	1
040/6695971				A3
Status:	Changes:	Date:	Name:	





PARTS LIST			
OBJECT	QUANTITY	PART NUMBER	DESCRIPTION
1	1	LX5060005091	Strut Profile
2	2	LX5060005092	Cover Strip
3	2	LX5060005093	Cover Strip
4	1	LN0000000144	End Cap
5	2	LN0000000245	Bracket Set 45x45
6	2	LN0000000246	Cover for Bracket 45x45

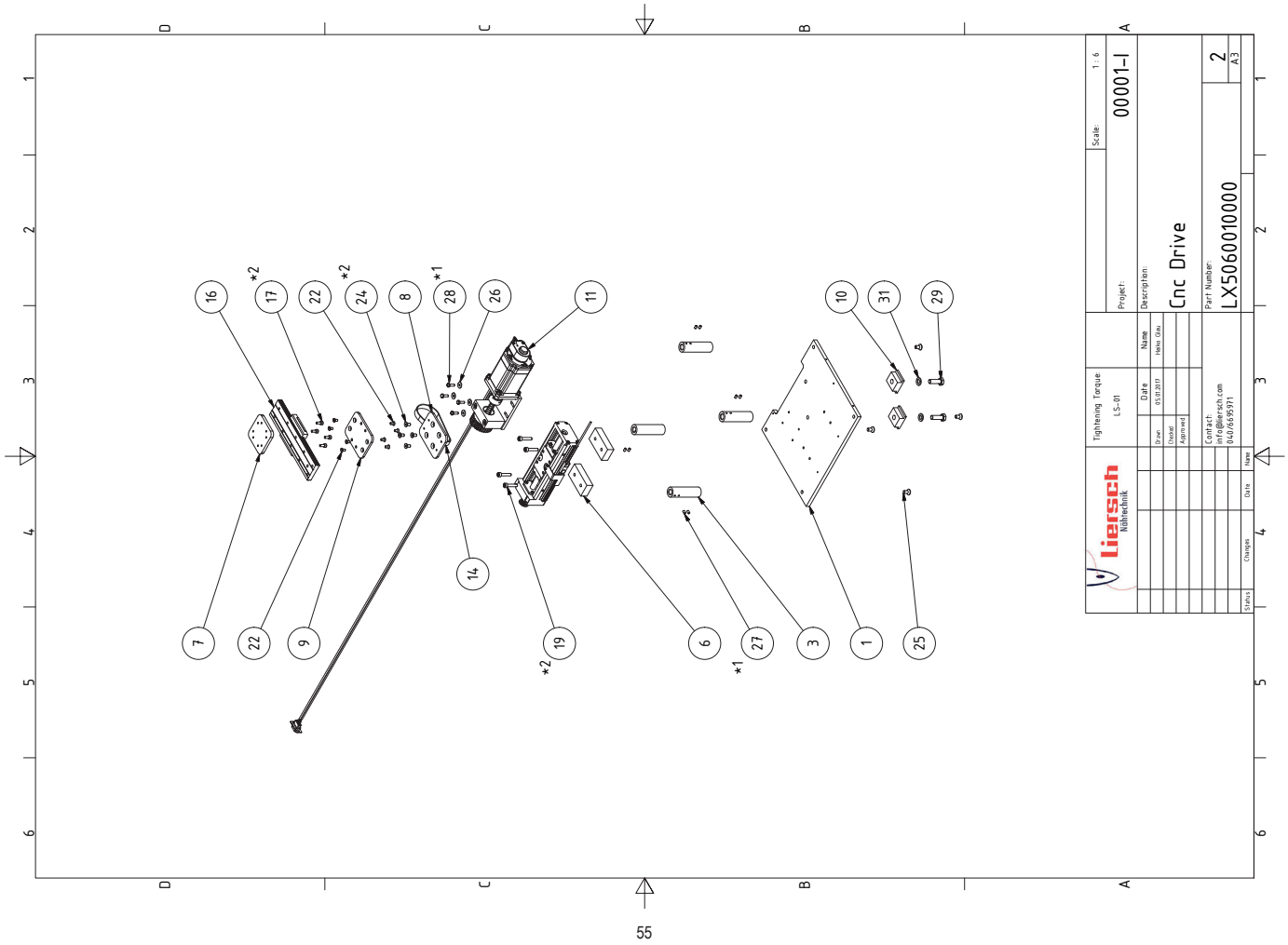
	Tightening Torque:		Scale: 1 : 2		
	LS-01		Project: 00001-I		
	Date	Name	Description:		
	Drawn: 25.10.18	Hilke Glau	Support		
	Checked:				
	Approved:				
	Contact:	Part Number:			
	info@liersch.com	LX5060005090		1	
	040/6695971			A3	
Status	Changes	Date	Name		



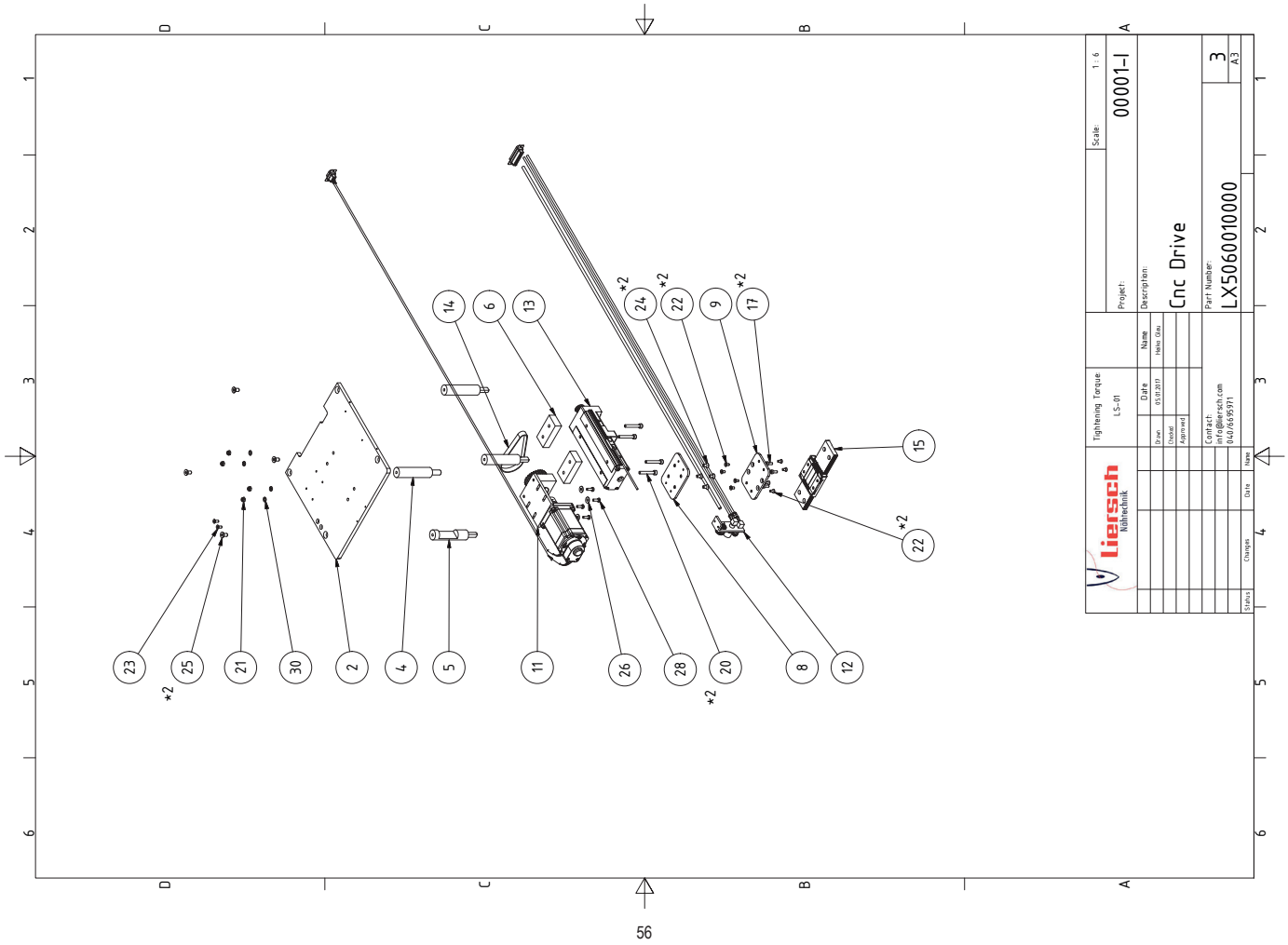
PARTS LIST				
OBJECT	QUANTITY	PART NUMBER	DESCRIPTION	
1	1	LX5060010002 Rev1	Base Plate	
2	1	LX5060010003 Rev2	Cover Plate	
3	4	LX5060010004	Spacer Female	
4	3	LX5060010005	Spacer Male	
5	1	LX5060010006 Rev1	Spacer Male w. Cutout	
6	4	LX5060010007	Block Spacer	
7	1	LX5060010008	Connecting Plate	
8	2	LX5060010009 Rev1	Connecting Plate Linear Guide Unit	
9	2	LX5060010011 Rev1	Connecting Plate Linear Guide	
10	2	LX5060010012	T-Nut Block	
11	2	LX5060010020	Assy Stepper Motor	
12	1	LX5060080000	Harness Cnc Drive	
13	2	LN0000000041	Linear Guide Unit	
14	2	LN0000000043	Toothed Belt	
15	1	LN0000000044	Linear Guide Short	
16	1	LN0000000045	Linear Guide Long	
17	8	DIN 912 - M4 x 10	Cylinder Head Cap Screw	
19	4	DIN 912 - M5 x 25	Cylinder Head Cap Screw	
20	4	DIN 912 - M5 x 35	Cylinder Head Cap Screw	
21	4	DIN 985 - M5	Hex Nut	
22	16	DIN 7991 - M4 x 8	Countersunk Screw	
23	2	DIN 7991 - M4 x 10	Countersunk Screw	
24	8	DIN 7991 - M5 x 10	Countersunk Screw	
25	8	DIN 7991 - M6 x 12	Countersunk Screw	
26	8	DIN 9021 - 4,3	Washer	
27	8	DIN EN ISO 4026 - M4 x 6	Hexagon socket set screws with flat point	
28	8	ISO 4017 - M4 x 14	Hex-Head Bolt	
29	2	ISO 4017 - M8 x 25	Hex-Head Bolt	
30	8	ISO 7092 - 5	Washer	
31	2	ISO 7092 - 8	Washer	

\*1 Apply Loctite 243  
\*2 Apply Loctite 648

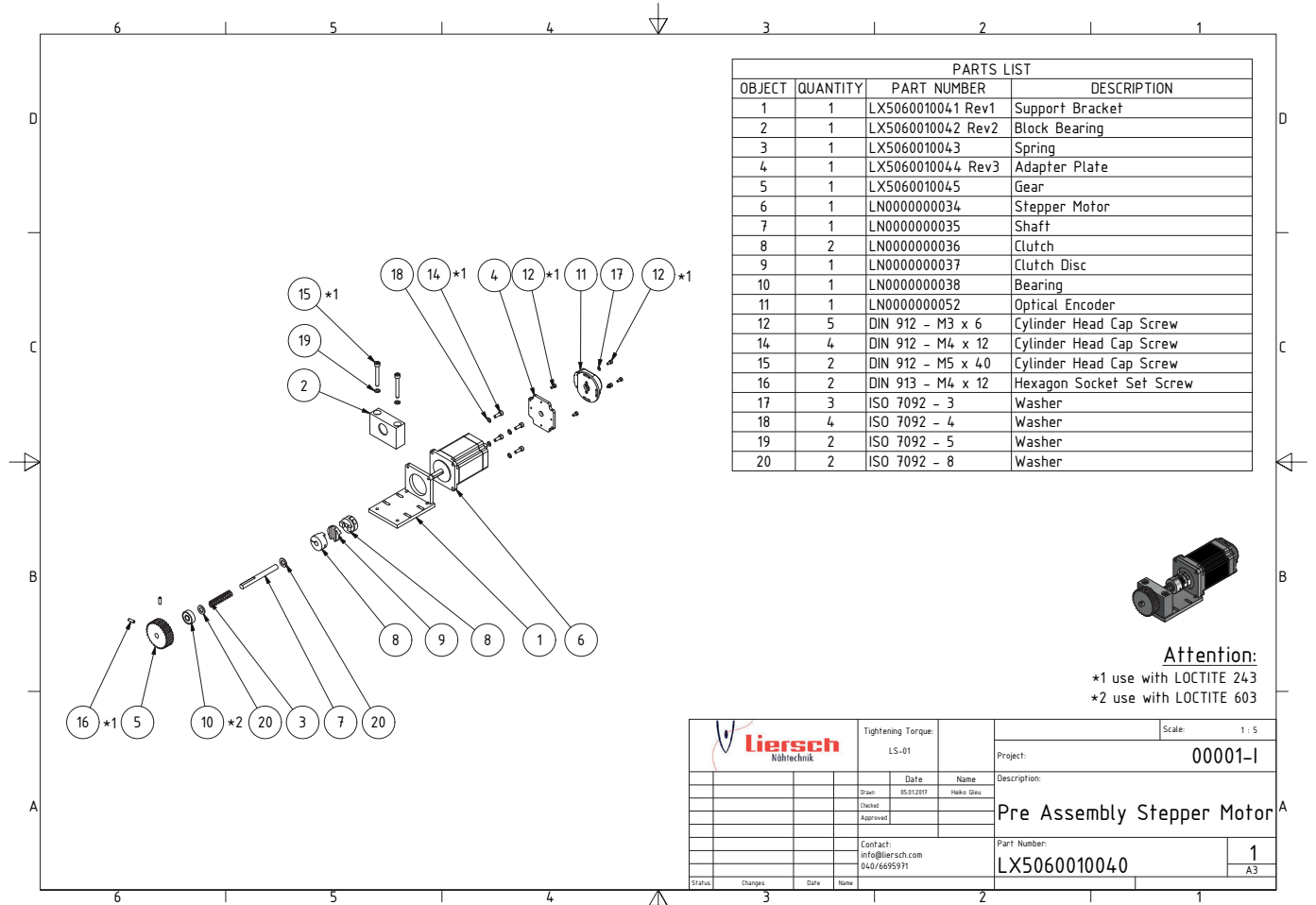
		Tightening Torque:		Scale: 1 : 5	
		LS-01		Project: 00001-I	
Drawn: 05.01.2017		Date	Name	Description: Cnc Drive	
Checked:			Halle Gou		
Approved:				Part Number: LX5060010000	
Contact: info@liersch.com				1	
040/6695971				A3	
Status	Changes	Date	Name		



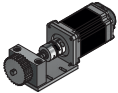
		Tightening Torque		Scale: 1:1.6	
		LS-01		00001-I	
Date		Name		Project:	
03.07.2010		Hans Gu.		00001-I	
Drawn		Checked		Description:	
Approved		Approved		Cnc Drive	
Contact:		Part Number:		2	
042@liersch.com		LX5060010000		A3	
042/6695971					



		Tightening Torque		Scale: 1:1.6	
		LS-01		Project:	00001-I
		Date	Name	Description: <b>Cnc Drive</b>	
Drawn:	03.07.2010	Heinr. Gau			
Checked:					
		Approved:		Part Number: <b>LX5060010000</b>	
		Conf. #1		3	
		042/659591		A3	



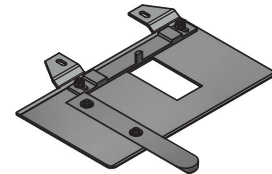
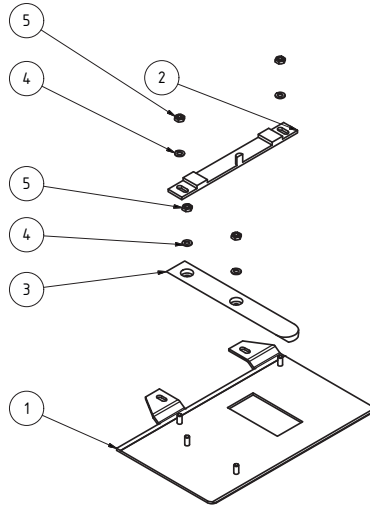
PARTS LIST			
OBJECT	QUANTITY	PART NUMBER	DESCRIPTION
1	1	LX5060010041 Rev1	Support Bracket
2	1	LX5060010042 Rev2	Block Bearing
3	1	LX5060010043	Spring
4	1	LX5060010044 Rev3	Adapter Plate
5	1	LX5060010045	Gear
6	1	LN0000000034	Stepper Motor
7	1	LN0000000035	Shaft
8	2	LN0000000036	Clutch
9	1	LN0000000037	Clutch Disc
10	1	LN0000000038	Bearing
11	1	LN0000000052	Optical Encoder
12	5	DIN 912 - M3 x 6	Cylinder Head Cap Screw
14	4	DIN 912 - M4 x 12	Cylinder Head Cap Screw
15	2	DIN 912 - M5 x 4.0	Cylinder Head Cap Screw
16	2	DIN 913 - M4 x 12	Hexagon Socket Set Screw
17	3	ISO 7092 - 3	Washer
18	4	ISO 7092 - 4	Washer
19	2	ISO 7092 - 5	Washer
20	2	ISO 7092 - 8	Washer




**Attention:**  
 \*1 use with LOCTITE 243  
 \*2 use with LOCTITE 603

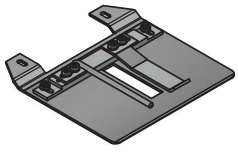
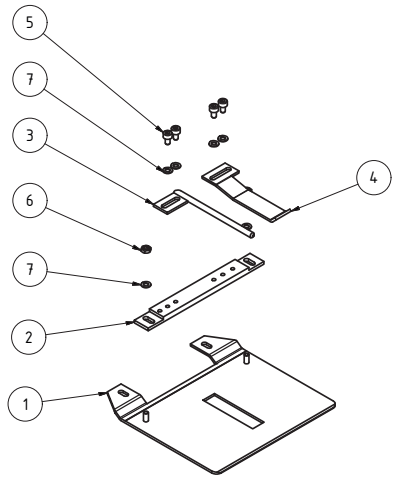
		Tightening Torque:		Scale: 1 : 5	
		LS-01		Project: 00001-I	
		Date	Name	Description:	
		Drawn: 05.01.2017	Hilke Glau	Pre Assembly Stepper Motor	
		Checked:		Part Number:	
		Approved:		LX5060010040	
		Contact: info@liersch.com 040/6695971		1	
Status	Changes	Date	Name	A3	

PARTS LIST			
OBJECT	QUANTITY	PART NUMBER	DESCRIPTION
1	1	LX5060020071	Bed Plate 84 Stitch
2	1	LX5060020012	Stop Bar
3	1	LX5060020013	Trapezoidal Cross Section
4	4	ISO 7092 - 3	Washer
5	4	DIN 934 - M3	Hex Nut



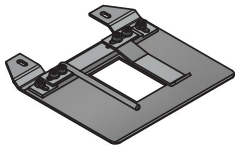
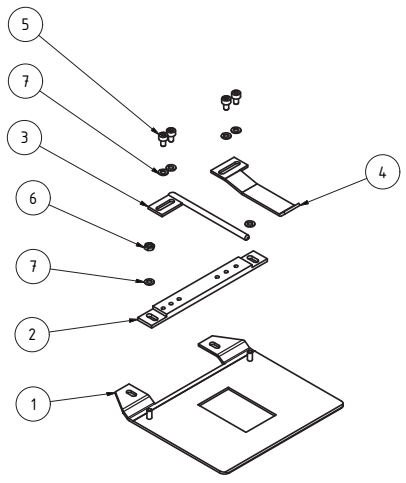
		Tightening Torque:		Scale: 1 : 2	
		LS-01		Project: 00001-V	
		Date	Name	Description:	
		Drawn: 05.01.2017	Halle Glau	Assy Bed Plate 84 Stitch	
		Quoted:			
		Approved:			
		Contact:		Part Number:	
		info@liersch.com		LX5060020070	
		040/6695971		1	
Status	Changes	Date	Name	A3	

PARTS LIST			
OBJECT	QUANTITY	PART NUMBER	DESCRIPTION
1	1	LX5060020005	Bed Plate Pin Loop
2	1	LX5060020006	Stop bar
3	1	LX5060020007	Pin Dummy
4	1	LX5060020008	Holding Down Clamp
5	4	DIN 912 - M3 x 5	Cylinder Head Cap Screw
6	2	DIN 934 - M3	Hex Nut
7	6	ISO 7092 - 3	Washer



		Tightening Torque:		Scale: 1 : 2		
		LS-01		Project: 00001-V		
		Drawn:	Date:	Name:	Description: <b>Assy Bed Plate Pin Loop</b>	
		05.01.2017		Halle Glau		
		Checked:				
		Approved:				
		Contact:	Part Number:			
		info@liersch.com	LX5060020080		1	
		040/6695971			A3	
Status:	Changes:	Date:	Name:			

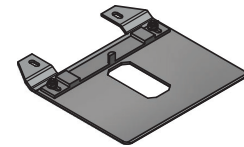
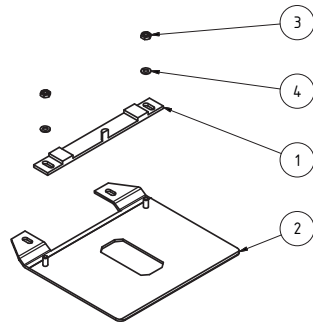
PARTS LIST			
OBJECT	QUANTITY	PART NUMBER	DESCRIPTION
1	1	LX5060020004	Bed Plate Pin Loop
2	1	LX5060020006	Stop bar
3	1	LX5060020007	Pin Dummy
4	1	LX5060020008	Holding Down Clamp
5	4	DIN 912 - M3 x 5	Cylinder Head Cap Screw
6	2	DIN 934 - M3	Hex Nut
7	6	ISO 7092 - 3	Washer




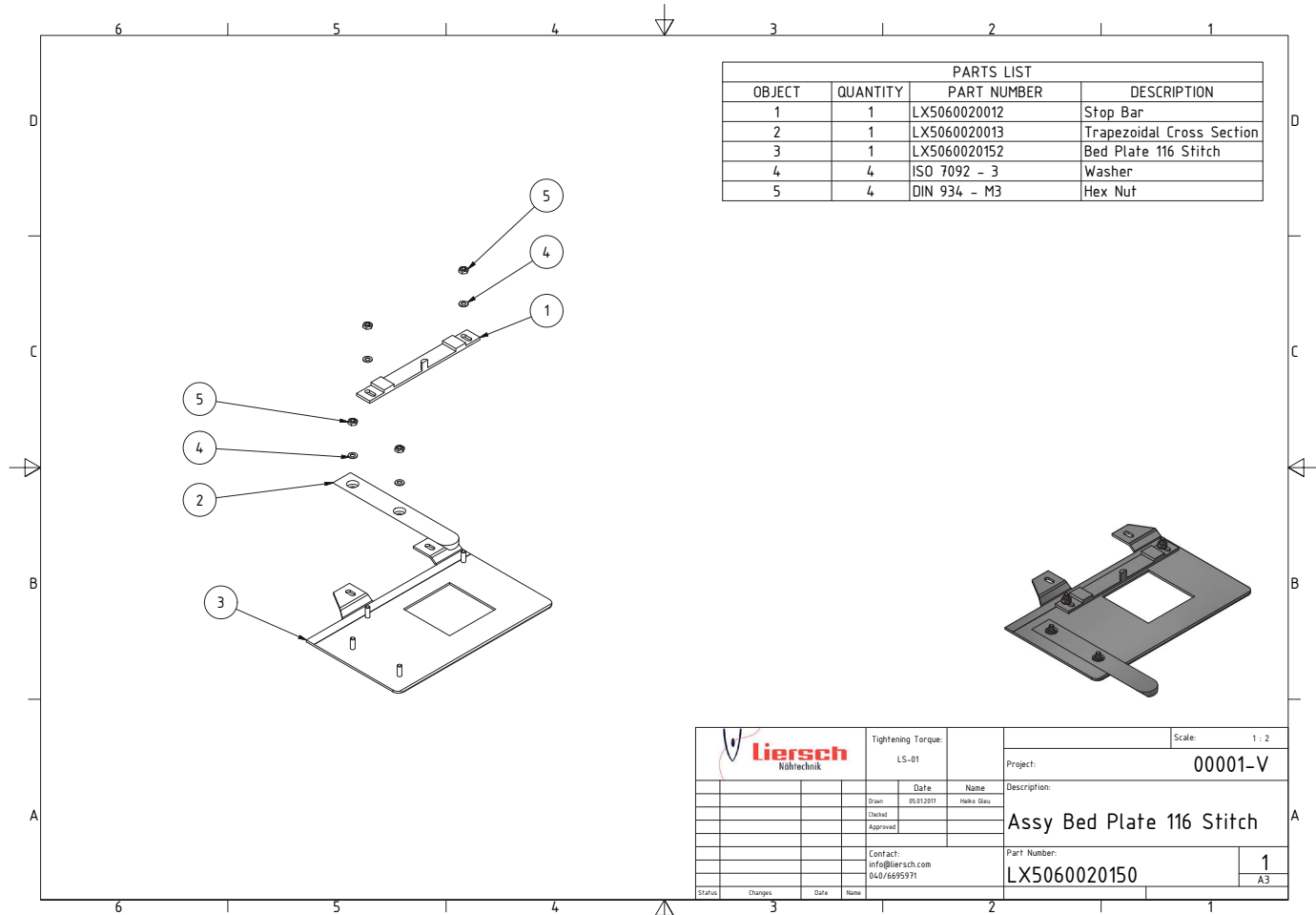
		Tightening Torque:		Scale: 1 : 2	
		LS-01		Project: 00001-V	
		Date	Name	Description:	
		Drawn: 05.01.2017	Halle Glau	Assy Bed Plate Pin Loop	
		Checked:		Part Number:	
		Approved:		LX5060020090	
		Contact: info@liersch.com 040/6695971		1	
Status	Changes	Date	Name	A3	



PARTS LIST			
OBJECT	QUANTITY	PART NUMBER	DESCRIPTION
1	1	LX5060020012	Stop Bar
2	1	LX5060020014	Bed Plate 94 Stitch
3	2	DIN 934 - M3	Hex Nut
4	2	ISO 7092 - 3	Washer

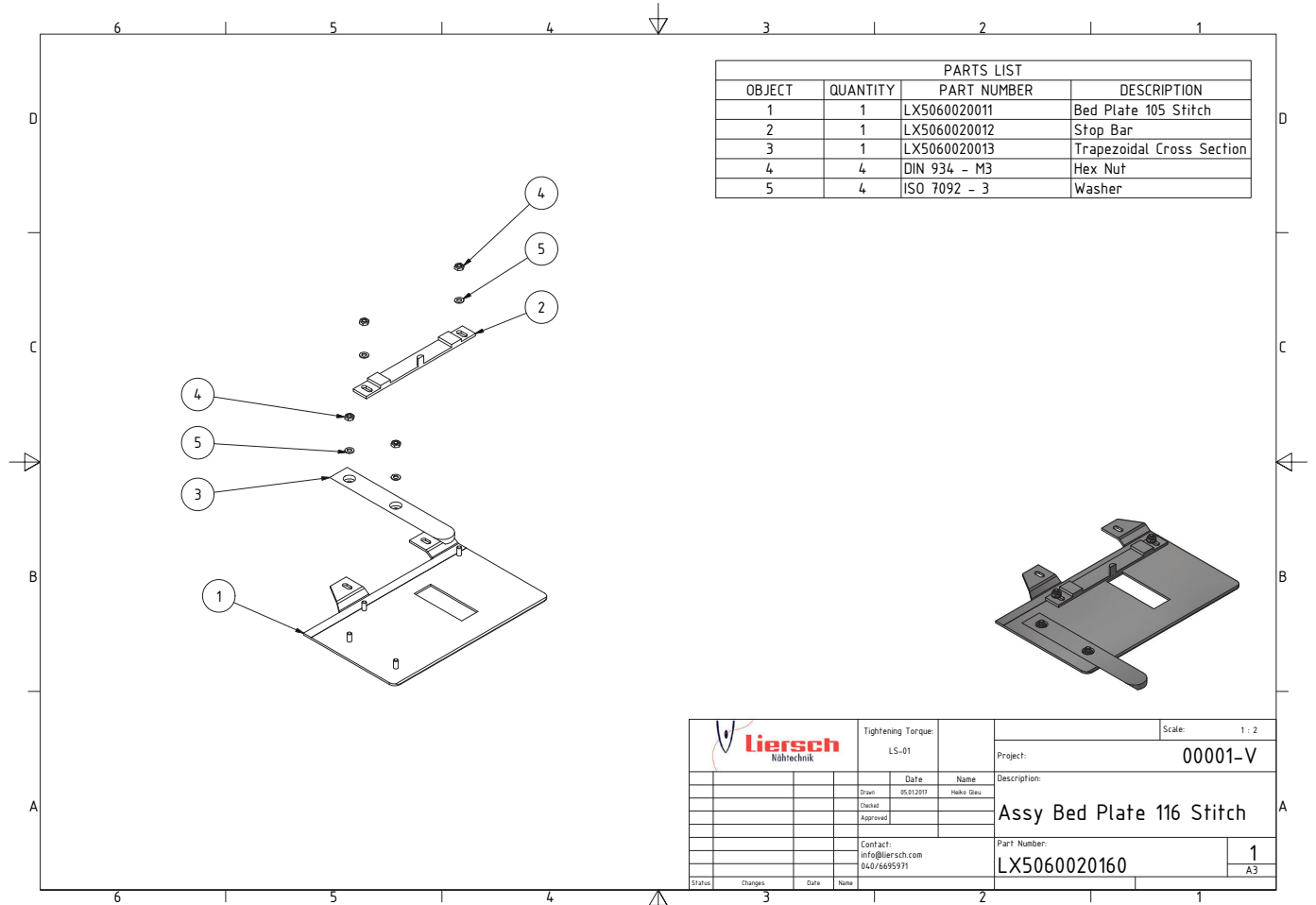


		Tightening Torque:		Scale: 1 : 2	
		LS-01		Project: 00001-I	
		Drawn:	Date:	Name:	Description: <b>Assy Bed Plate 94 Stitch</b>
		05.01.2017		Malte Glau	
		Checked:			
		Approved:			
		Contact:		Part Number:	
		info@liersch.com		LX5060020140	
		040/6695971		1	
Status:	Changes:	Date:	Name:	A3	



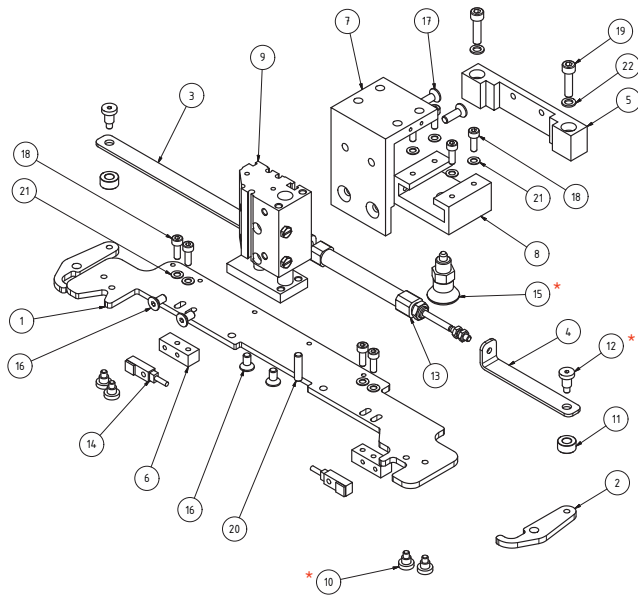
PARTS LIST			
OBJECT	QUANTITY	PART NUMBER	DESCRIPTION
1	1	LX5060020012	Stop Bar
2	1	LX5060020013	Trapezoidal Cross Section
3	1	LX5060020152	Bed Plate 116 Stitch
4	4	ISO 7092 - 3	Washer
5	4	DIN 934 - M3	Hex Nut

		Tightening Torque:		Scale: 1 : 2	
		LS-01		Project: 00001-V	
		Date	Name	Description:	
		Drawn: 05.01.2017	Hilke Glau	Assy Bed Plate 116 Stitch	
		Checked:		Part Number:	
		Approved:		LX5060020150	
		Contact: info@liersch.com 040/6695971		1	
Status	Changes	Date	Name	A3	

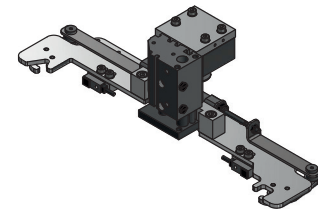


PARTS LIST			
OBJECT	QUANTITY	PART NUMBER	DESCRIPTION
1	1	LX5060020011	Bed Plate 105 Stitch
2	1	LX5060020012	Stop Bar
3	1	LX5060020013	Trapezoidal Cross Section
4	4	DIN 934 - M3	Hex Nut
5	4	ISO 7092 - 3	Washer

		Tightening Torque:		Scale: 1 : 2	
		LS-01		Project: 00001-V	
		Date	Name	Description: Assy Bed Plate 116 Stitch	
		Drawn: 05.01.2017	Hilke Glau		
		Checked:		Part Number: LX5060020160	
		Approved:			
		Contact: info@liersch.com 040/6695971		1	
Status	Changes	Date	Name	A3	

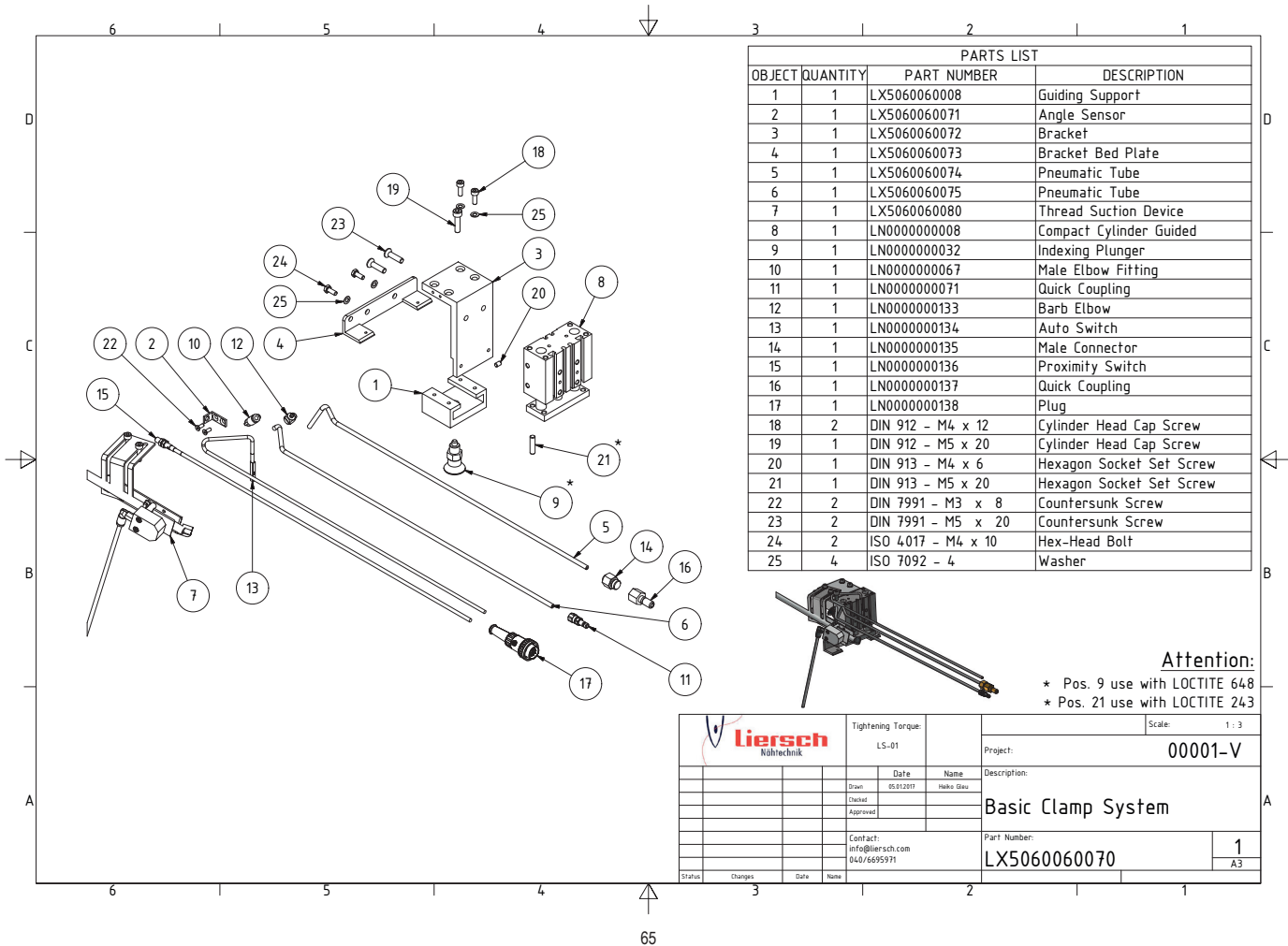


PARTS LIST			
OBJECT	QUANTITY	PART NUMBER	DESCRIPTION
1	1	LX5060060001	Base Plate
2	2	LX5060060002	Locking Lever
3	1	LX5060060003	Support Pneumatics
4	1	LX5060060004	Support Pneumatics
5	1	LX5060060005	Block
6	2	LX5060060006	Bracket Sensor
7	1	LX5060060007	Bracket
8	1	LX5060060008	Guiding Support
9	1	LX5060060020	Machined Cylinder Compact Guided
10	4	LN0000000002	Stepped Screw
11	2	LN0000000003	Washer
12	2	LN0000000004	Stepped Screw
13	1	LN0000000005	Actuator
14	2	LN0000000006	Proximity Sensor
15	1	LN0000000032	Indexing Plunger
16	4	DIN 7991 - M5 x 10	Countersunk Screw
17	2	DIN 7991 - M5 x 16	Countersunk Screw
18	8	DIN 912 - M4 x 12	Cylinder Head Cap Screw
19	2	DIN 912 - M5 x 20	Cylinder Head Cap Screw
20	1	DIN EN ISO 4026 - M5 x 20	Hexagon socket set screws with flat point
21	8	ISO 7092 - 4	Washer
22	2	ISO 7092 - 5	Washer



**Attention:**  
\* use with LOCTITE 243

	Tightening Torque		Scale: 1:3	
	LS-01		Project: 02064-V	
	Date:	Name:	Description:	
	Drawn:	Drawn Date:	Quick Change Clamp System	
	Checked:	Checked Date:	Part Number:	
	Approved:	Approved Date:	LX5060060010	
Drawn:	Checked:	Approved:	Quantity:	1
				A.2

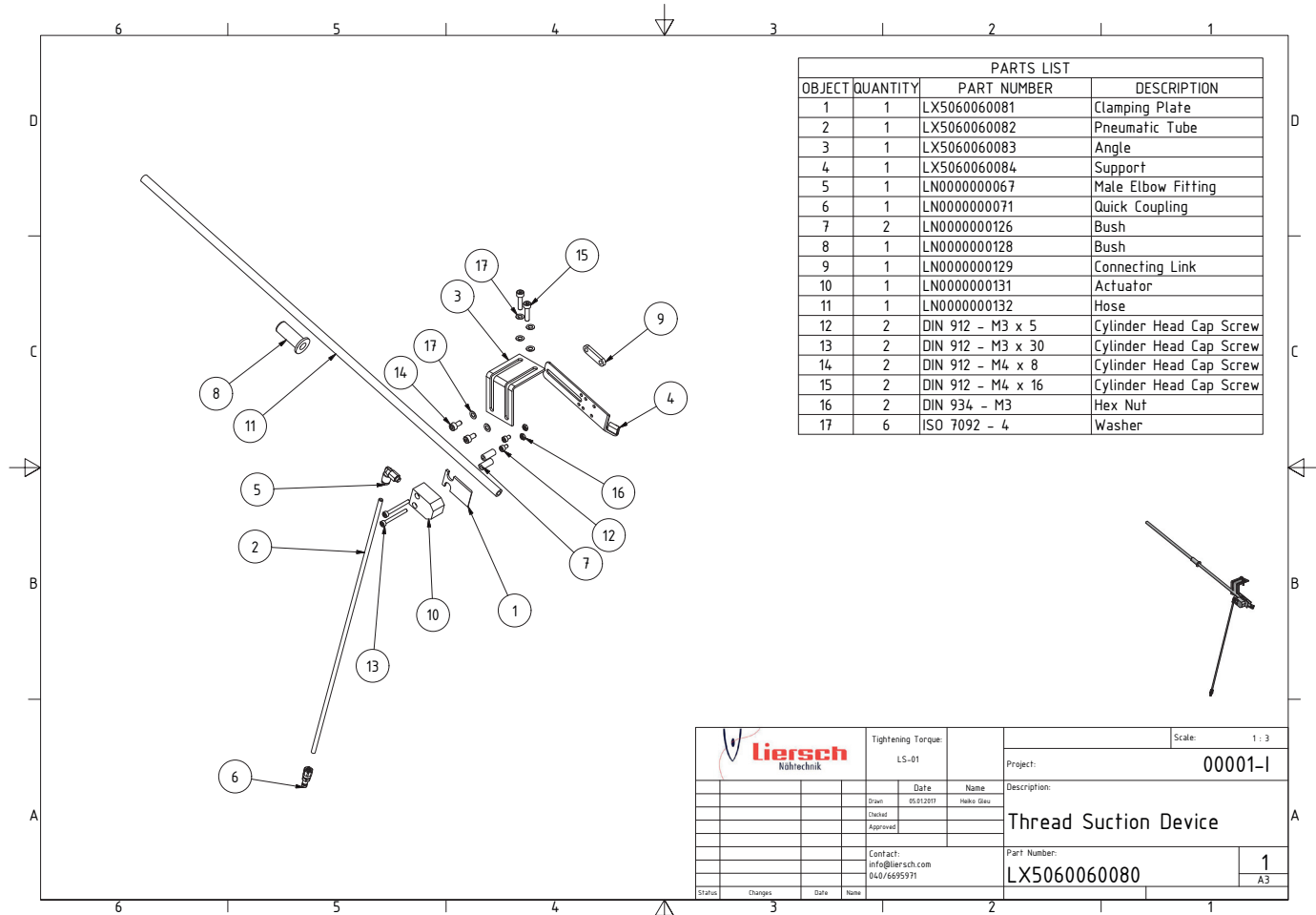


PARTS LIST			
OBJECT	QUANTITY	PART NUMBER	DESCRIPTION
1	1	LX5060060008	Guiding Support
2	1	LX5060060071	Angle Sensor
3	1	LX5060060072	Bracket
4	1	LX5060060073	Bracket Bed Plate
5	1	LX5060060074	Pneumatic Tube
6	1	LX5060060075	Pneumatic Tube
7	1	LX5060060080	Thread Suction Device
8	1	LN0000000008	Compact Cylinder Guided
9	1	LN0000000032	Indexing Plunger
10	1	LN0000000067	Male Elbow Fitting
11	1	LN0000000071	Quick Coupling
12	1	LN0000000133	Barb Elbow
13	1	LN0000000134	Auto Switch
14	1	LN0000000135	Male Connector
15	1	LN0000000136	Proximity Switch
16	1	LN0000000137	Quick Coupling
17	1	LN0000000138	Plug
18	2	DIN 912 - M4 x 12	Cylinder Head Cap Screw
19	1	DIN 912 - M5 x 20	Cylinder Head Cap Screw
20	1	DIN 913 - M4 x 6	Hexagon Socket Set Screw
21	1	DIN 913 - M5 x 20	Hexagon Socket Set Screw
22	2	DIN 7991 - M3 x 8	Countersunk Screw
23	2	DIN 7991 - M5 x 20	Countersunk Screw
24	2	ISO 4017 - M4 x 10	Hex-Head Bolt
25	4	ISO 7092 - 4	Washer

**Attention:**

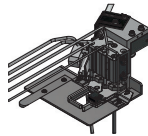
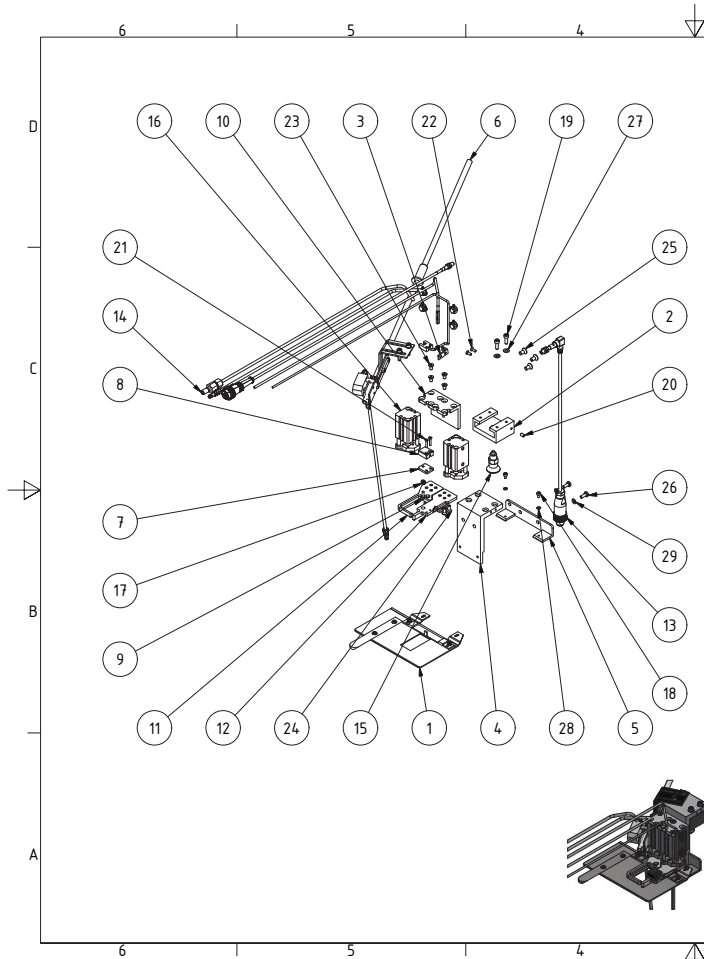
- \* Pos. 9 use with LOCTITE 648
- \* Pos. 21 use with LOCTITE 243

		Tightening Torque:		Scale: 1 : 3	
		LS-01		Project: 00001-V	
Drawn: 05.01.2017		Date	Name	Description:	
Checked:			Hilke Glau	Basic Clamp System	
Approved:				Part Number: LX5060060070	
Contact: info@liersch.com				1	
040/6695971				A3	
Status	Changes	Date	Name		




PARTS LIST			
OBJECT	QUANTITY	PART NUMBER	DESCRIPTION
1	1	LX5060060081	Clamping Plate
2	1	LX5060060082	Pneumatic Tube
3	1	LX5060060083	Angle
4	1	LX5060060084	Support
5	1	LN0000000067	Male Elbow Fitting
6	1	LN0000000071	Quick Coupling
7	2	LN0000000126	Bush
8	1	LN0000000128	Bush
9	1	LN0000000129	Connecting Link
10	1	LN0000000131	Actuator
11	1	LN0000000132	Hose
12	2	DIN 912 - M3 x 5	Cylinder Head Cap Screw
13	2	DIN 912 - M3 x 30	Cylinder Head Cap Screw
14	2	DIN 912 - M4 x 8	Cylinder Head Cap Screw
15	2	DIN 912 - M4 x 16	Cylinder Head Cap Screw
16	2	DIN 934 - M3	Hex Nut
17	6	ISO 7092 - 4	Washer

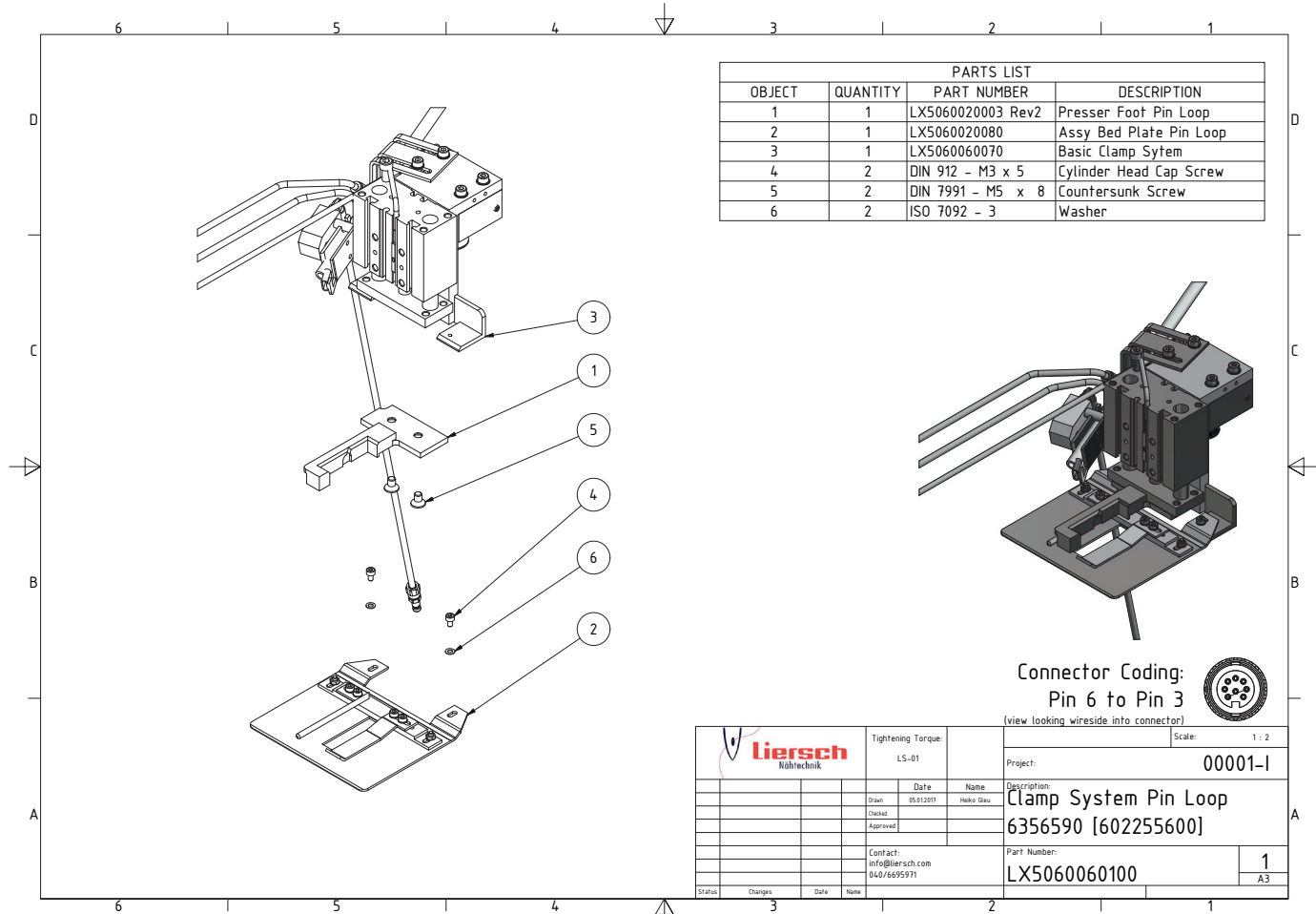
		Tightening Torque:		Scale: 1 : 3	
		LS-01		Project: 00001-I	
		Drawn:	Date:	Description:	
		Checked:	05.01.2017	Thread Suction Device	
		Approved:		Part Number:	
		Contact: info@liersch.com 040/6695971		LX5060060080	
Status:	Changes:	Date:	Name:	1 A3	



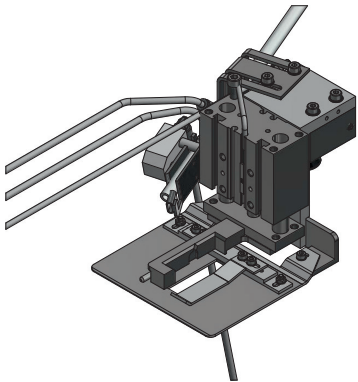
PARTS LIST			
OBJECT	QUANTITY	PART NUMBER	DESCRIPTION
1	1	LX5060020070	Assy Bed Plate 84 Stitch
2	1	LX5060060008	Guiding Support
3	1	LX5060060071	Angle Sensor
4	1	LX5060060072	Bracket
5	1	LX5060060073	Bracket Bed Plate
6	1	LX5060060080	Thread Suction Device
7	1	LX5060060092	Spring Retainer
8	1	LX5060060093	Sensor Cover
9	1	LX5060060094	Pin Length Detection
10	1	LX5060060096	Bracket Twin Actuators
11	1	LX5060060097	Presser Foot
12	1	LX5060060098 Rev2	Presser Foot Sensing
13	1	LX5060080150	Harness Clamp Inductive Sensor
14	1	LX5060080160	Electrics & Pneumatics
15	1	LN0000000032	Indexing Plunger
16	2	LN0000000208	Compact Cylinder Guide Rod Type
17	1	LN0000000217	Spring
18	2	DIN 912 - M3 x 5	Cylinder Head Cap Screw
19	2	DIN 912 - M4 x 12	Cylinder Head Cap Screw
20	1	DIN 913 - M4 x 6	Hexagon Socket Set Screw
21	2	DIN 963 - M2,5 x 14	Countersunk Screw
22	2	DIN 7991 - M3 x 8	Countersunk Screw
23	4	DIN 7991 - M4 x 8	Countersunk Screw
24	8	DIN 7991 - M4 x 10	Countersunk Screw
25	3	DIN 7991 - M5 x 10	Countersunk Screw
26	2	ISO 4017 - M4 x 10	Hex-Head Bolt
27	2	ISO 7089 - 4	Plain washers - Normal series
28	2	ISO 7092 - 3	Washer
29	2	ISO 7092 - 4	Washer

Connector Coding:   
 Pin 6 to Pin 2 & 5  
 (view looking wires into connector)

		Tightening Torque:		Scale: 1 : 5	
		LS-01		Project: 04350-V	
Drawn: 05.01.2017		Date: 05.01.2017		Description: Clamp System 84 Stitch	
Checked:		Name: Heiko Gau		6375326 [602255400]	
Approved:				Part Number: LX5060060090	
Contact: info@liersch.com				1	
040/6695971				A3	
Status	Changes	Date	Name		



PARTS LIST			
OBJECT	QUANTITY	PART NUMBER	DESCRIPTION
1	1	LX5060020003 Rev2	Presser Foot Pin Loop
2	1	LX5060020080	Assy Bed Plate Pin Loop
3	1	LX5060060070	Basic Clamp Sytem
4	2	DIN 912 - M3 x 5	Cylinder Head Cap Screw
5	2	DIN 7991 - M5 x 8	Countersunk Screw
6	2	ISO 7092 - 3	Washer

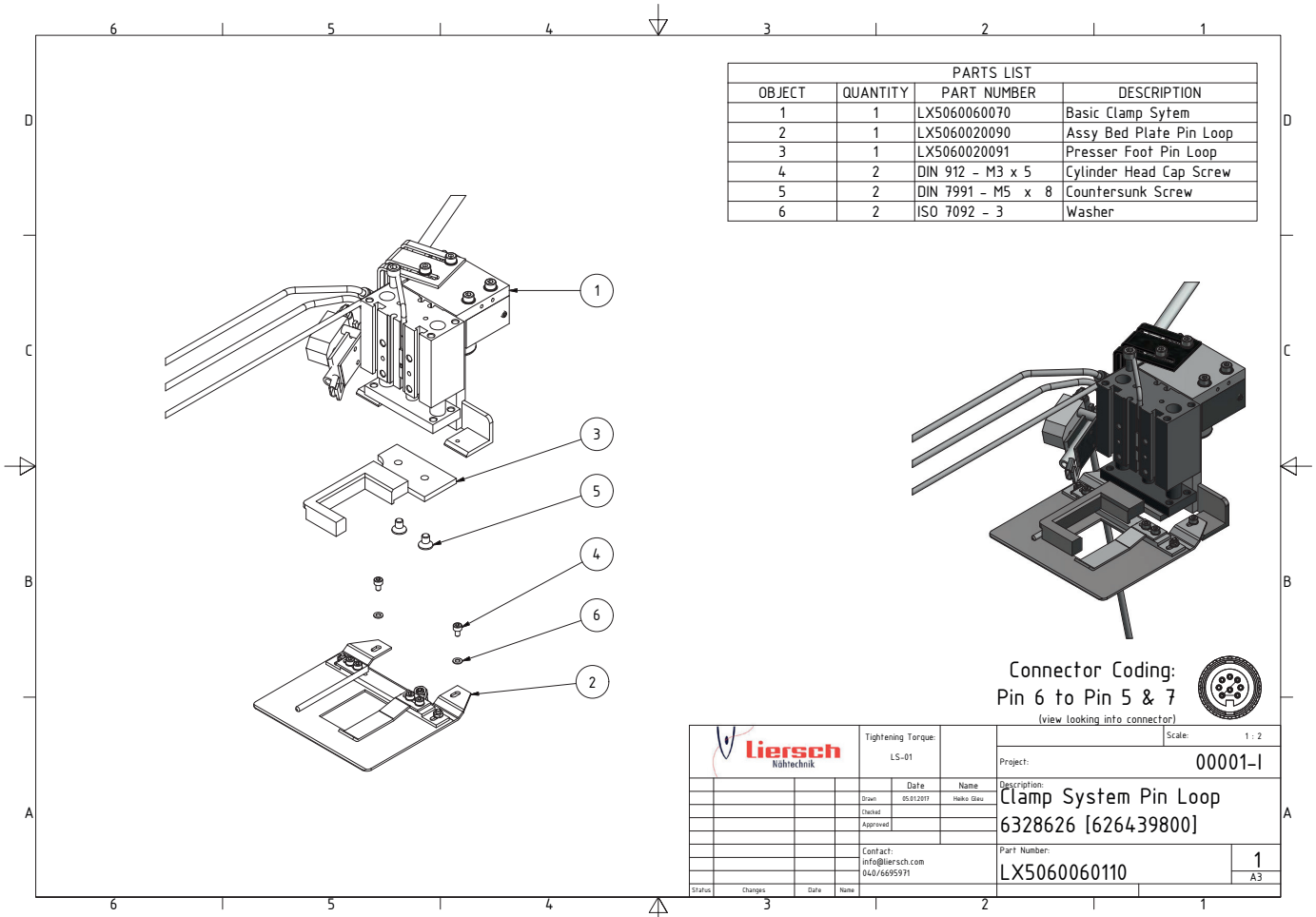


Connector Coding:  
Pin 6 to Pin 3  
(view looking wireside into connector)



		Tightening Torque:		Scale: 1 : 2	
		LS-01		Project: 00001-I	
Drawn: 05.01.2017 Checked: Approved:		Date	Name	Description: <b>Clamp System Pin Loop</b> <b>6356590 [602255600]</b>	
Contact: info@liersch.com 040/6695971		Part Number: <b>LX5060060100</b>		1 A3	
Status	Changes	Date	Name		



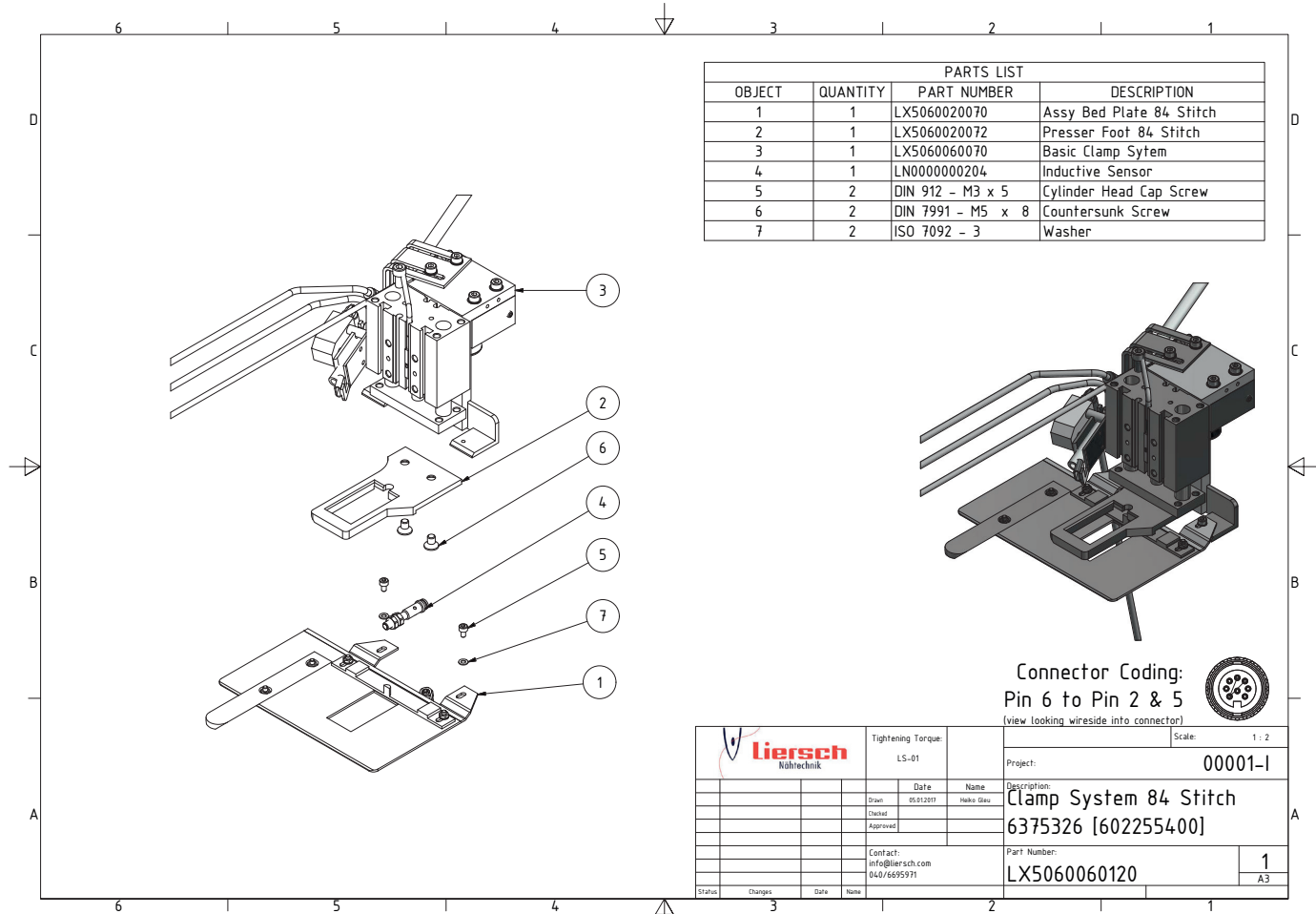


PARTS LIST			
OBJECT	QUANTITY	PART NUMBER	DESCRIPTION
1	1	LX5060060070	Basic Clamp Sytem
2	1	LX5060020090	Assy Bed Plate Pin Loop
3	1	LX5060020091	Presser Foot Pin Loop
4	2	DIN 912 - M3 x 5	Cylinder Head Cap Screw
5	2	DIN 7991 - M5 x 8	Countersunk Screw
6	2	ISO 7092 - 3	Washer

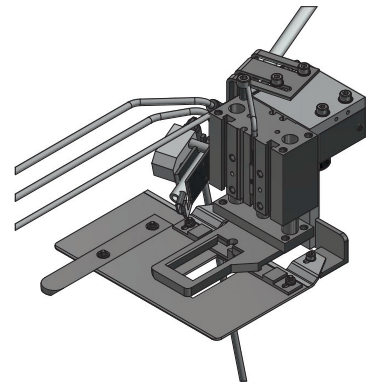
Connector Coding:  
 Pin 6 to Pin 5 & 7  
 (view looking into connector)



		Tightening Torque:		Scale: 1 : 2	
		LS-01		Project: 00001-I	
Drawn: 05.01.2017 Checked: Approved:		Date: 05.01.2017	Name: Heiko Geu	Description: <b>Clamp System Pin Loop</b> <b>6328626 [626439800]</b>	
Contact: info@liersch.com 040/6695971		Part Number: <b>LX5060060110</b>		1 A3	
Status:	Changes:	Date:	Name:		



PARTS LIST			
OBJECT	QUANTITY	PART NUMBER	DESCRIPTION
1	1	LX5060020070	Assy Bed Plate 84 Stitch
2	1	LX5060020072	Presser Foot 84 Stitch
3	1	LX5060060070	Basic Clamp Sytem
4	1	LN0000000204	Inductive Sensor
5	2	DIN 912 - M3 x 5	Cylinder Head Cap Screw
6	2	DIN 7991 - M5 x 8	Countersunk Screw
7	2	ISO 7092 - 3	Washer

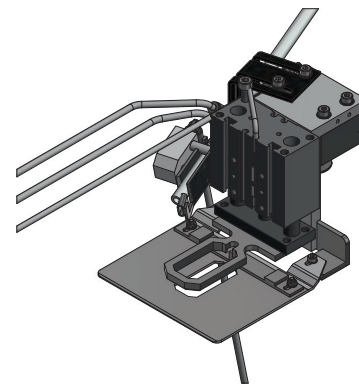
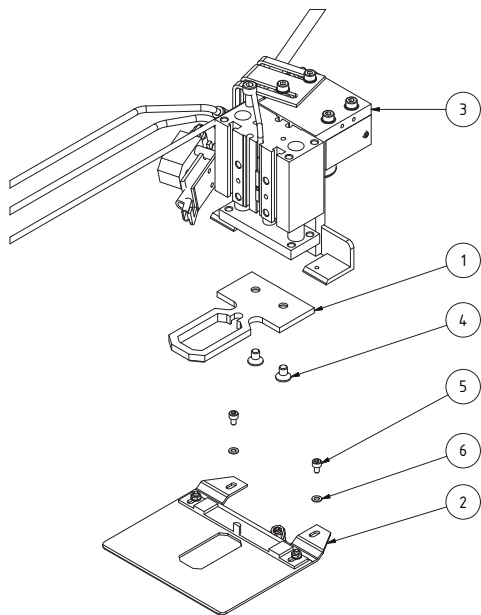


Connector Coding:  
Pin 6 to Pin 2 & 5  
(view looking wireside into connector)



	Tightening Torque:		Scale: 1 : 2	
	LS-01		Project: 00001-I	
	Drawn:	Date:	Name:	Description: <b>Clamp System 84 Stitch</b> 6375326 [602255400]
	Checked:	05.01.2017	Halle Gau	
Approved:				
Contact: info@liersch.com 040/6695971			Part Number: <b>LX5060060120</b>	1 A3
Status:	Changes:	Date:	Name:	

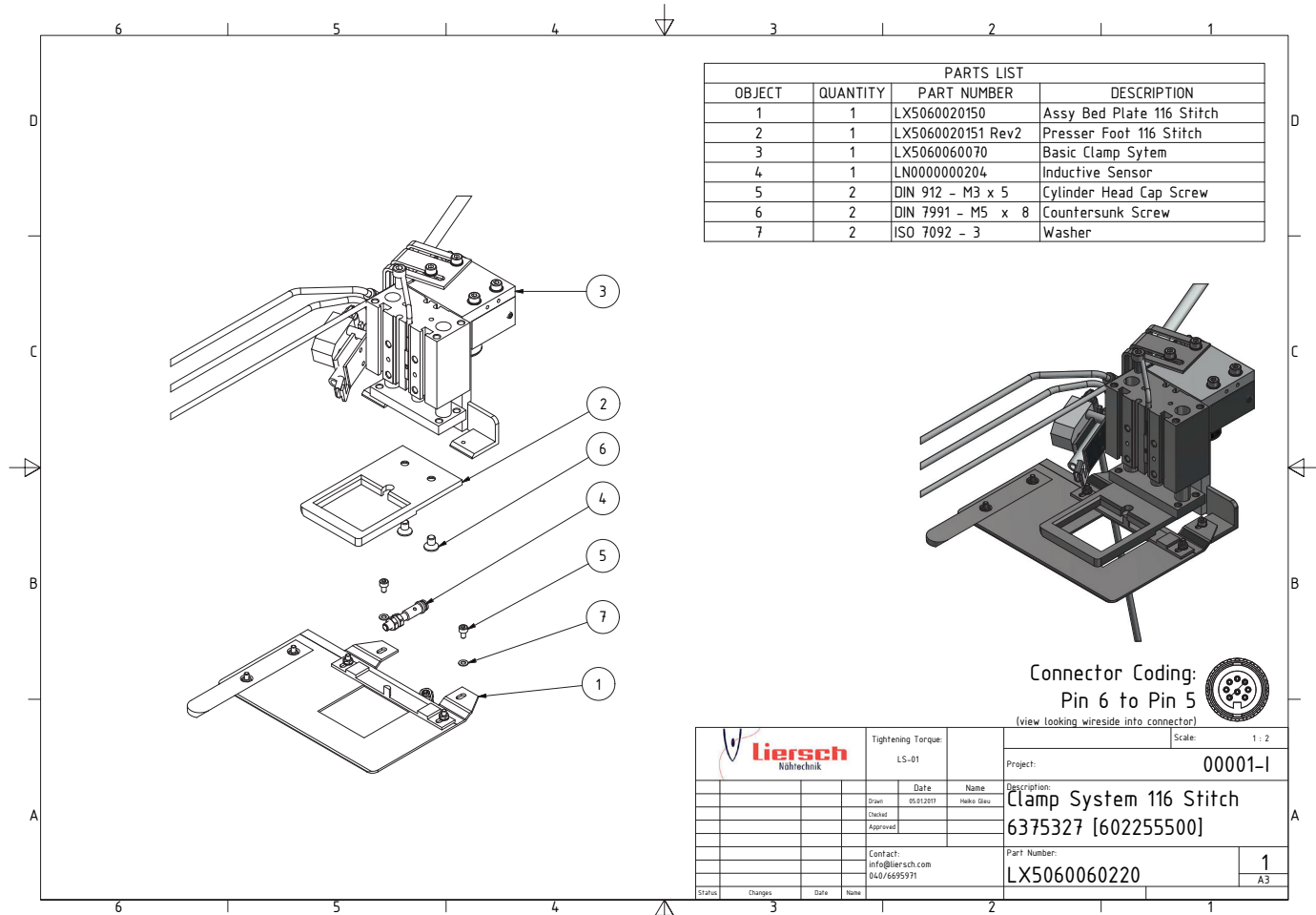
PARTS LIST			
OBJECT	QUANTITY	PART NUMBER	DESCRIPTION
1	1	LX5060020002	Presser Foot 94 Stitch
2	1	LX5060020140	Assy Bed Plate 94 Stitch
3	1	LX5060060070	Basic Clamp Sytem
4	2	DIN 7991 - M5 x 8	Countersunk Screw
5	2	DIN 912 - M3 x 5	Cylinder Head Cap Screw
6	2	ISO 7092 - 3	Washer



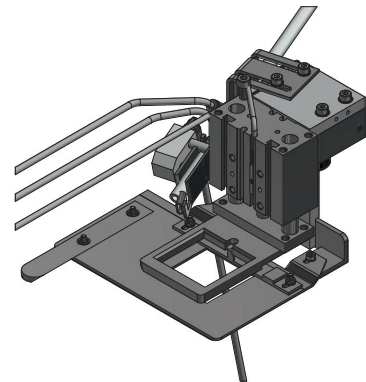
Connector Coding:  
Pin 6 to Pin 2 & 3  
(view looking wireside into connector)



		Tightening Torque:		Scale: 1 : 2	
		LS-01		Project: 00001-I	
		Drawn:	Date:	Description:	
		Checked:	05.01.2017	Clamp System 94 Stitch	
		Approved:	Halle Gau	6328621 [603847000]	
		Contact:	Part Number:		
		info@liersch.com	LX5060060210		1
		040/6695971			A3
Status:	Changes:	Date:	Name:		



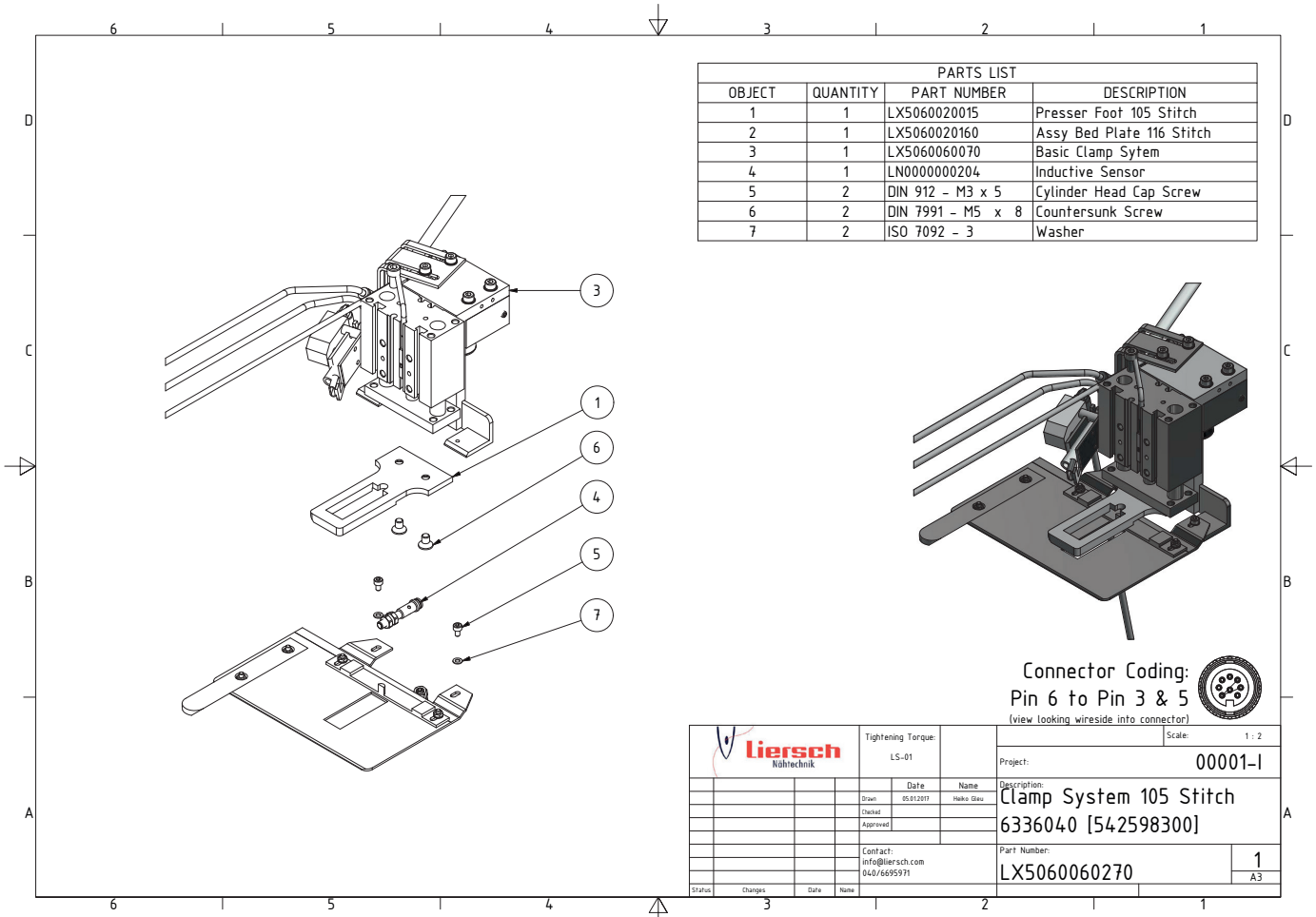
PARTS LIST			
OBJECT	QUANTITY	PART NUMBER	DESCRIPTION
1	1	LX5060020150	Assy Bed Plate 116 Stitch
2	1	LX5060020151 Rev2	Presser Foot 116 Stitch
3	1	LX5060060070	Basic Clamp Sytem
4	1	LN0000000204	Inductive Sensor
5	2	DIN 912 - M3 x 5	Cylinder Head Cap Screw
6	2	DIN 7991 - M5 x 8	Countersunk Screw
7	2	ISO 7092 - 3	Washer



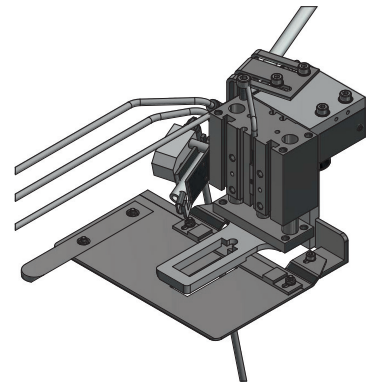
Connector Coding:  
Pin 6 to Pin 5  
(view looking wireside into connector)



		Tightening Torque:		Scale: 1 : 2	
		LS-01		Project: 00001-I	
Drawn: 05.01.2017 Checked: Approved:		Date	Name	Description: <b>Clamp System 116 Stitch</b> <b>6375327 [602255500]</b>	
Contact: info@liersch.com 040/6695971		Part Number: <b>LX5060060220</b>		<b>1</b> A3	
Status	Changes	Date	Name		



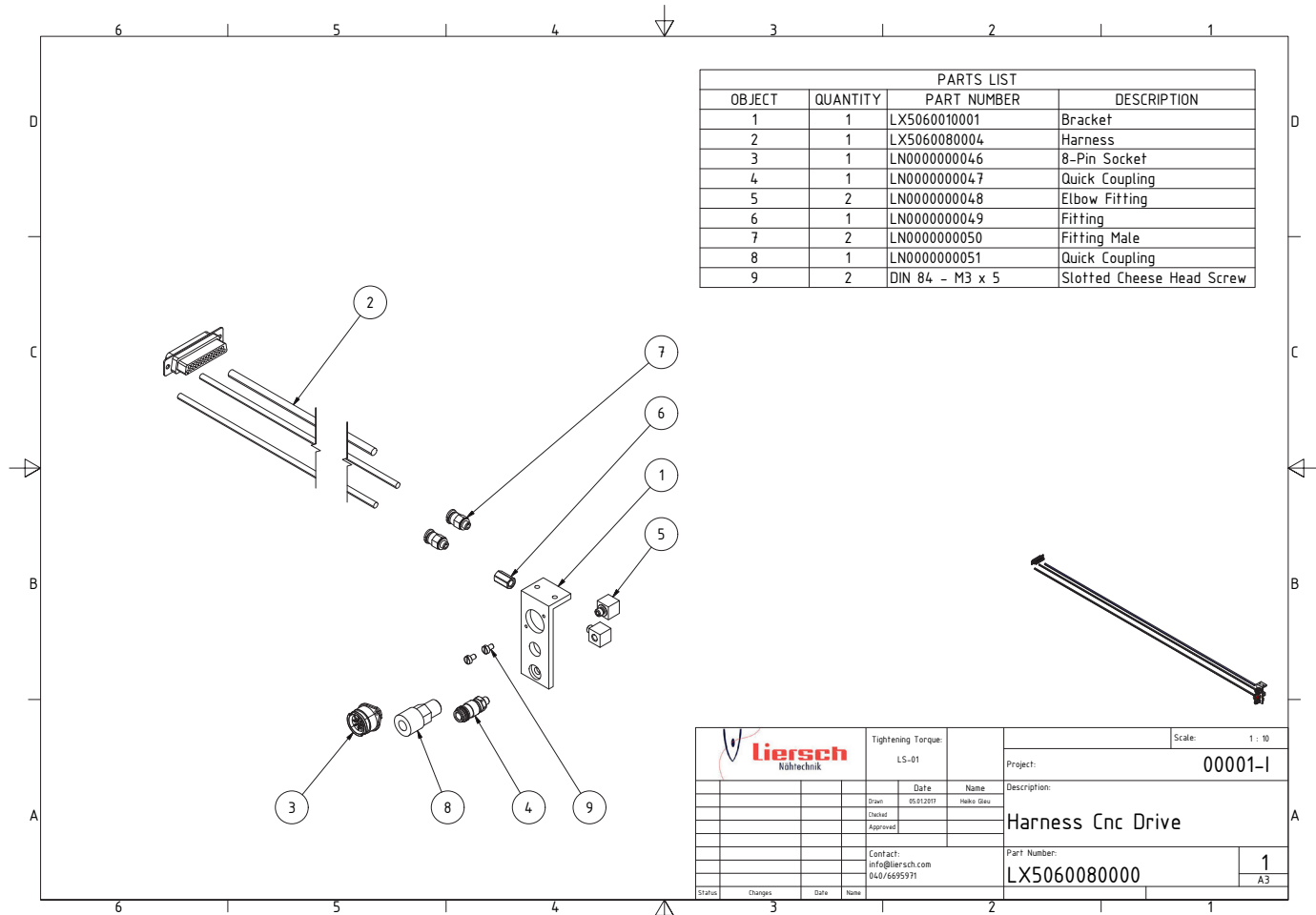
PARTS LIST			
OBJECT	QUANTITY	PART NUMBER	DESCRIPTION
1	1	LX5060020015	Presser Foot 105 Stitch
2	1	LX5060020160	Assy Bed Plate 116 Stitch
3	1	LX5060060070	Basic Clamp Sytem
4	1	LN0000000204	Inductive Sensor
5	2	DIN 912 - M3 x 5	Cylinder Head Cap Screw
6	2	DIN 7991 - M5 x 8	Countersunk Screw
7	2	ISO 7092 - 3	Washer



Connector Coding:  
Pin 6 to Pin 3 & 5  
(view looking wireside into connector)

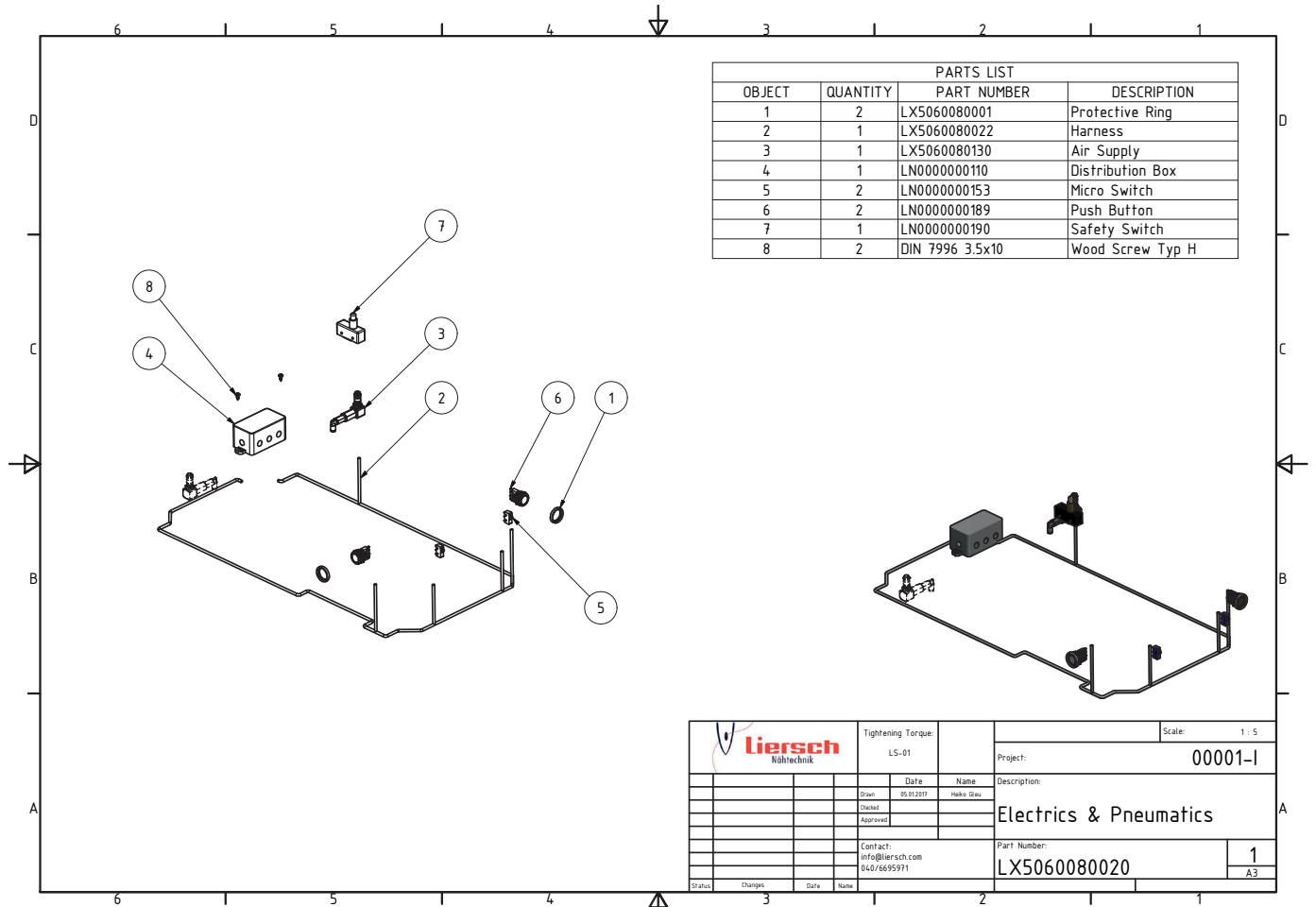


		Tightening Torque:		Scale: 1 : 2	
		LS-01		Project: 00001-I	
Drawn: 05.01.2017 Checked: Approved:		Date	Name	Description: <b>Clamp System 105 Stitch</b> <b>6336040 [542598300]</b>	
Contact: info@liersch.com 040/6695971		Part Number: <b>LX5060060270</b>		<b>1</b> A3	
Status	Changes	Date	Name		



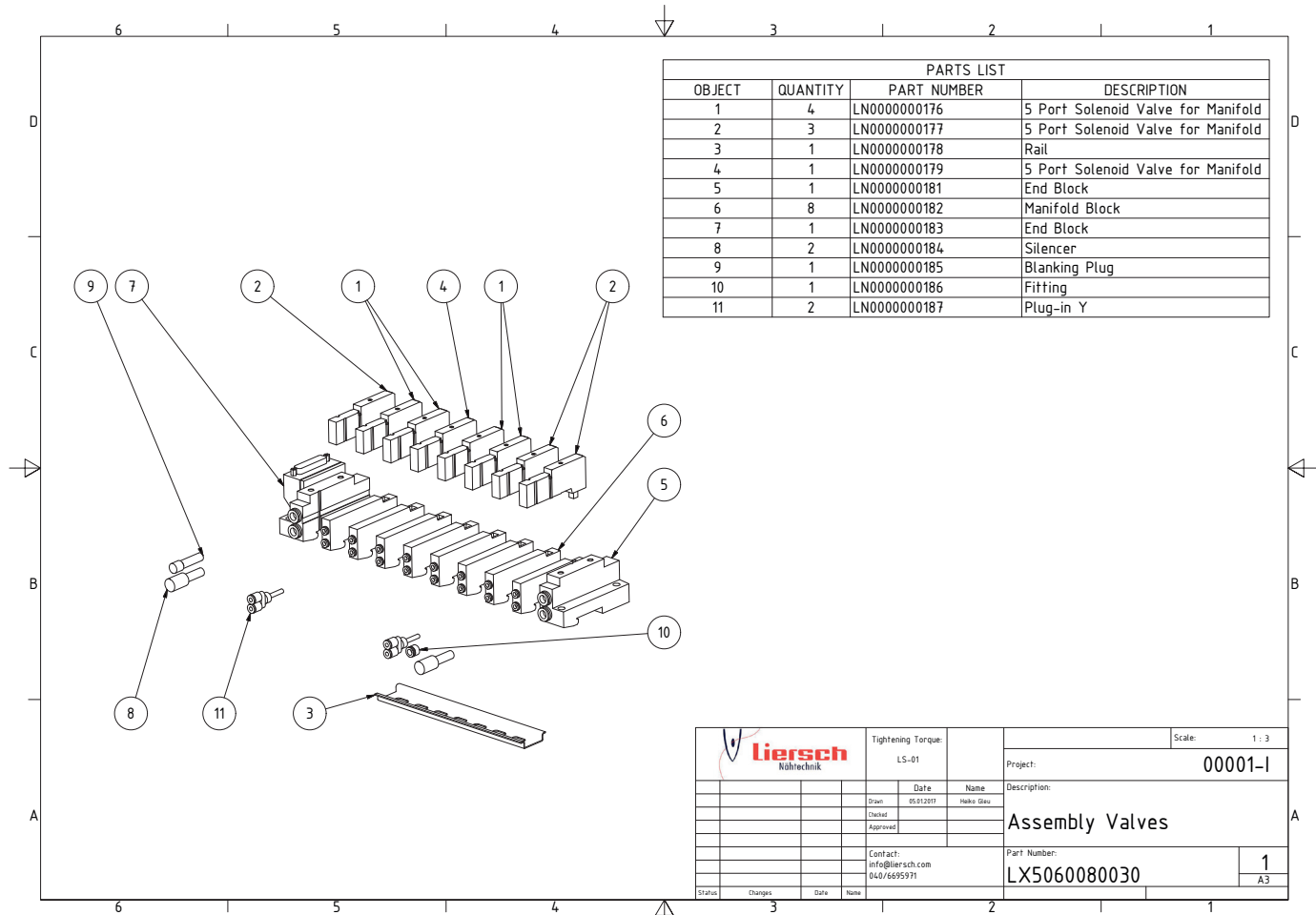
PARTS LIST			
OBJECT	QUANTITY	PART NUMBER	DESCRIPTION
1	1	LX5060010001	Bracket
2	1	LX5060080004	Harness
3	1	LN0000000046	8-Pin Socket
4	1	LN0000000047	Quick Coupling
5	2	LN0000000048	Elbow Fitting
6	1	LN0000000049	Fitting
7	2	LN0000000050	Fitting Male
8	1	LN0000000051	Quick Coupling
9	2	DIN 84 - M3 x 5	Slotted Cheese Head Screw

	Tightening Torque:		Scale: 1 : 10	
	LS-01		Project: 00001-I	
		Date	Name	Description: <b>Harness Cnc Drive</b>
		Drawn: 05.01.2017	Hilke Glau	
		Checked:		
		Approved:		
		Contact:	Part Number:	1 A3
		info@liersch.com 040/6695971	<b>LX5060080000</b>	
Status	Changes	Date	Name	



PARTS LIST			
OBJECT	QUANTITY	PART NUMBER	DESCRIPTION
1	2	LX5060080001	Protective Ring
2	1	LX5060080022	Harness
3	1	LX5060080130	Air Supply
4	1	LN0000000110	Distribution Box
5	2	LN0000000153	Micro Switch
6	2	LN0000000189	Push Button
7	1	LN0000000190	Safety Switch
8	2	DIN 7996 3.5x10	Wood Screw Typ H

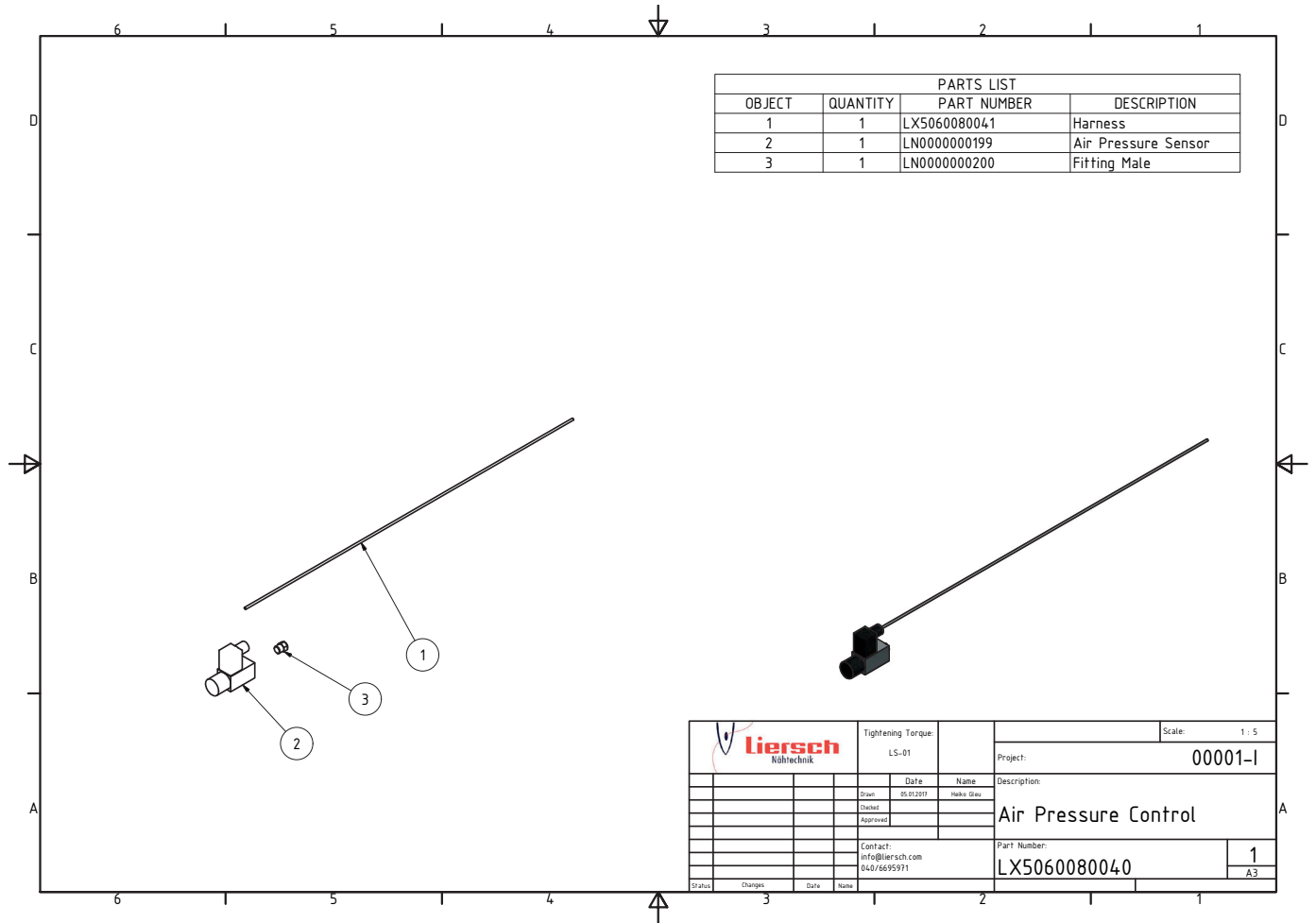
		Tightening Torque:		Scale: 1 : 5	
		LS-01		Project: 00001-I	
		Date	Name	Description:	
		Drawn: 05.01.2017	Halle Glau	Electrics & Pneumatics	
		Checked:			
		Approved:			
		Contact:	Part Number:		
		info@liersch.com	LX5060080020	1	
		040/6695971		A3	
Status	Changes	Date	Name		



PARTS LIST			
OBJECT	QUANTITY	PART NUMBER	DESCRIPTION
1	4	LN000000176	5 Port Solenoid Valve for Manifold
2	3	LN000000177	5 Port Solenoid Valve for Manifold
3	1	LN000000178	Rail
4	1	LN000000179	5 Port Solenoid Valve for Manifold
5	1	LN000000181	End Block
6	8	LN000000182	Manifold Block
7	1	LN000000183	End Block
8	2	LN000000184	Silencer
9	1	LN000000185	Blanking Plug
10	1	LN000000186	Fitting
11	2	LN000000187	Plug-in Y

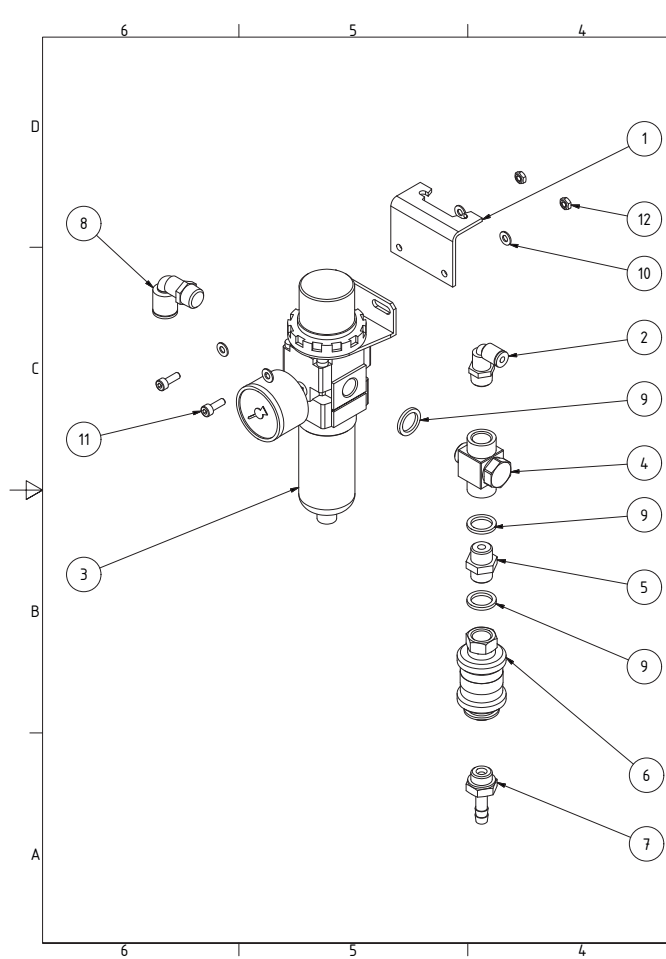
		Tightening Torque:		Scale: 1 : 3	
		LS-01		Project: 00001-I	
		Drawn:	Date:	Description:	
		Checked:	05.01.2017	Assemble Valves	
		Approved:	Halle Glau	Part Number:	
		Contact:	info@liersch.com	LX5060080030	
		040/6695971		1	
Status:	Changes:	Date:	Name:	A3	



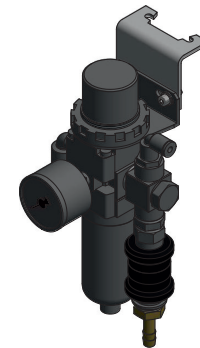


PARTS LIST			
OBJECT	QUANTITY	PART NUMBER	DESCRIPTION
1	1	LX5060080041	Harness
2	1	LN0000000199	Air Pressure Sensor
3	1	LN0000000200	Fitting Male

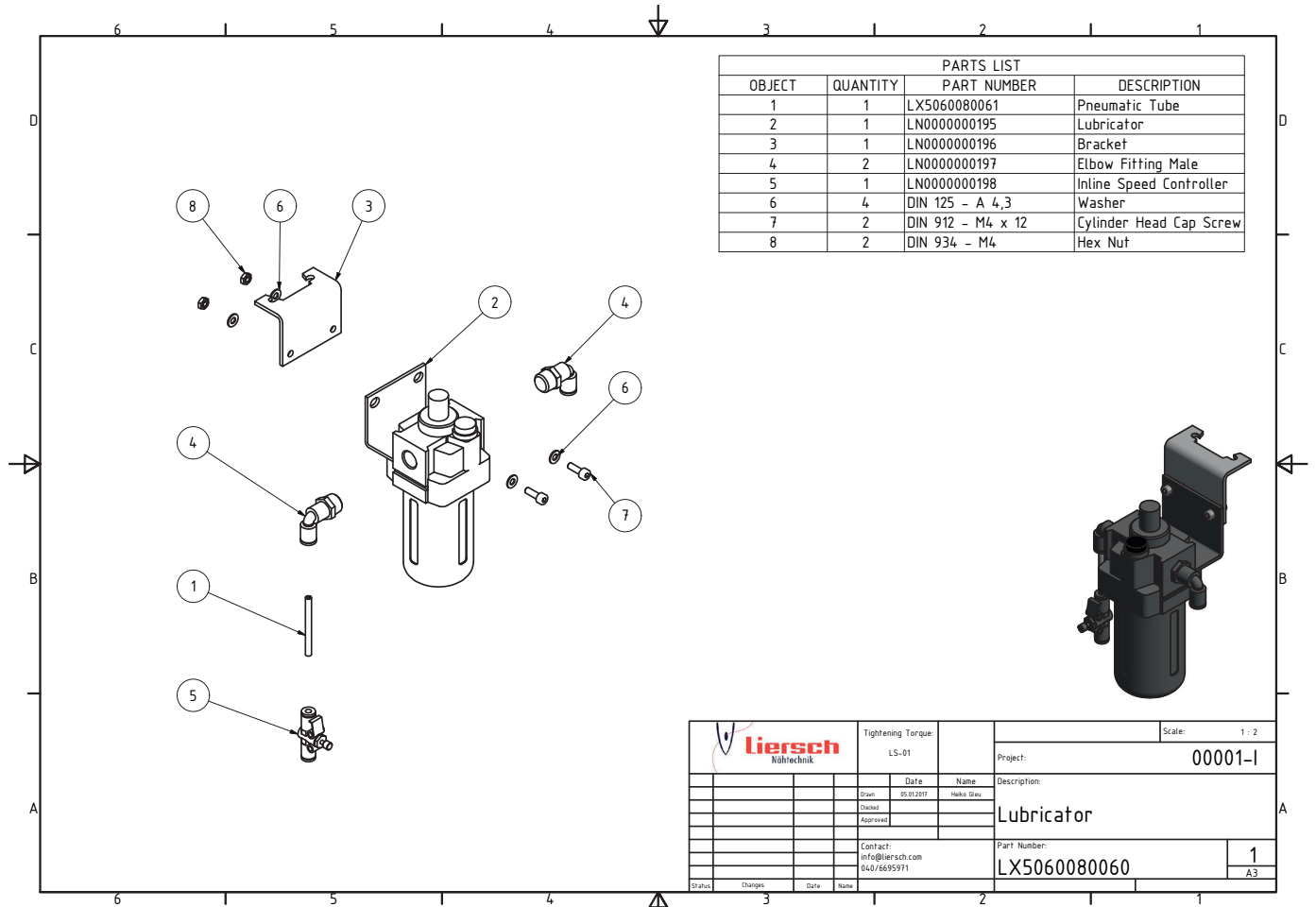
		Tightening Torque:		Scale: 1 : 5	
		LS-01		Project: 00001-I	
		Date	Name	Description: Air Pressure Control	
		Drawn: 05.01.2017	Halle G10		
		Checked:			
		Approved:			
		Contact: info@liersch.com 040/6695971		Part Number: LX5060080040	
Status	Changes	Date	Name	1 A3	



PARTS LIST			
OBJECT	QUANTITY	PART NUMBER	DESCRIPTION
1	1	LN000000196	Bracket
2	1	LN000000197	Elbow Fitting Male
3	1	LN000000238	Filter Regulator
4	1	LN000000239	Fitting
5	1	LN000000240	Fitting
6	1	LN000000241	Manual Valve
7	1	LN000000242	Fitting
8	1	LN000000243	Elbow Fitting Male
9	3	LN000000285	O-Sealing ring
10	4	DIN 125 - A 4,3	Washer
11	2	DIN 912 - M4 x 12	Cylinder Head Cap Screw
12	2	DIN 934 - M4	Hex Nut

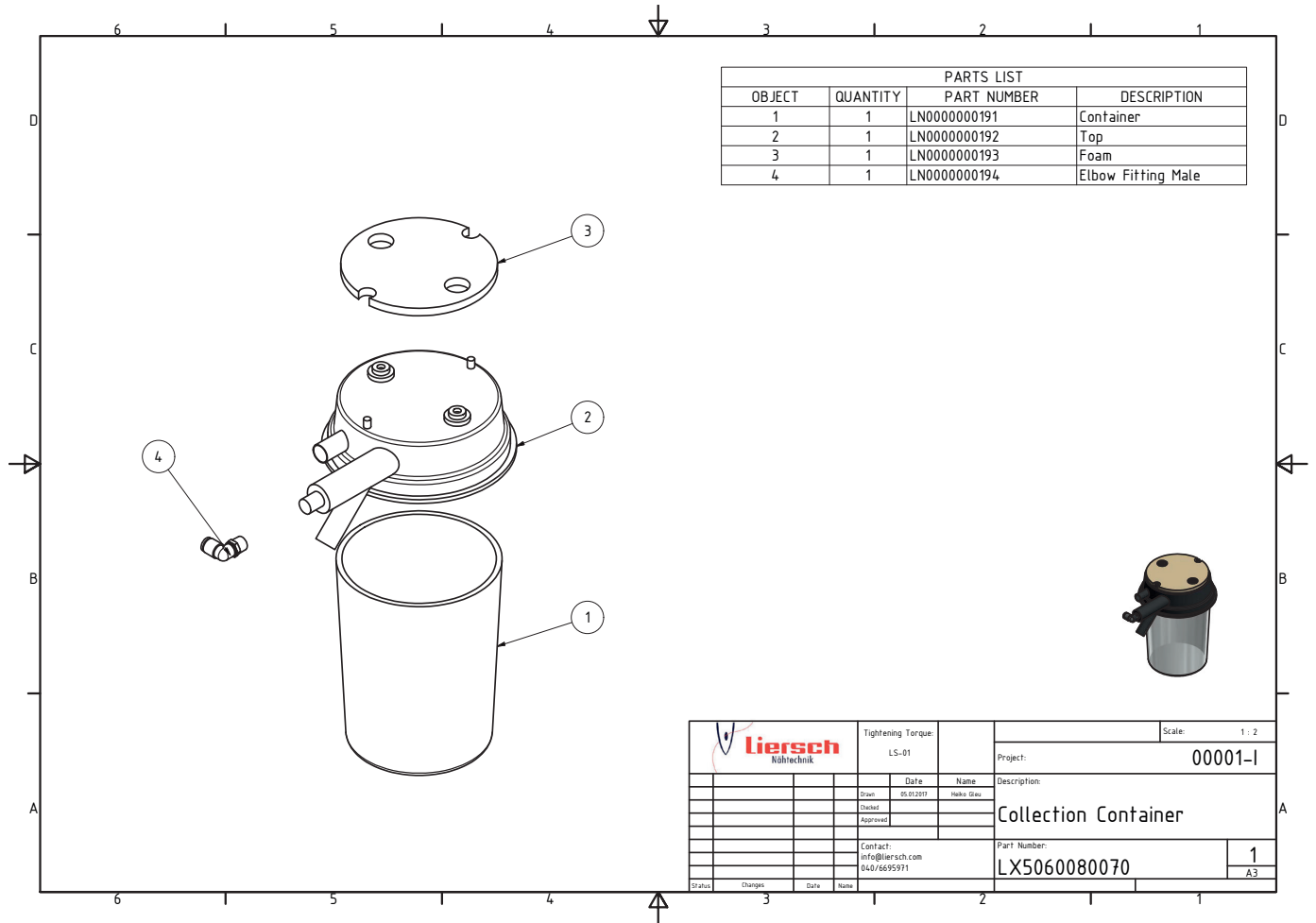


		Tightening Torque:		Scale: 1 : 2	
		LS-01		Project: 00001-I	
		Drawn:	Date:	Name:	Description:
		Checked:	23.10.18	Halle Glau	Air Service Unit
		Approved:			
		Contact:	Part Number:		
		info@liersch.com	LX5060080050		1
		040/6695971			A3
Status:	Changes:	Date:	Name:		



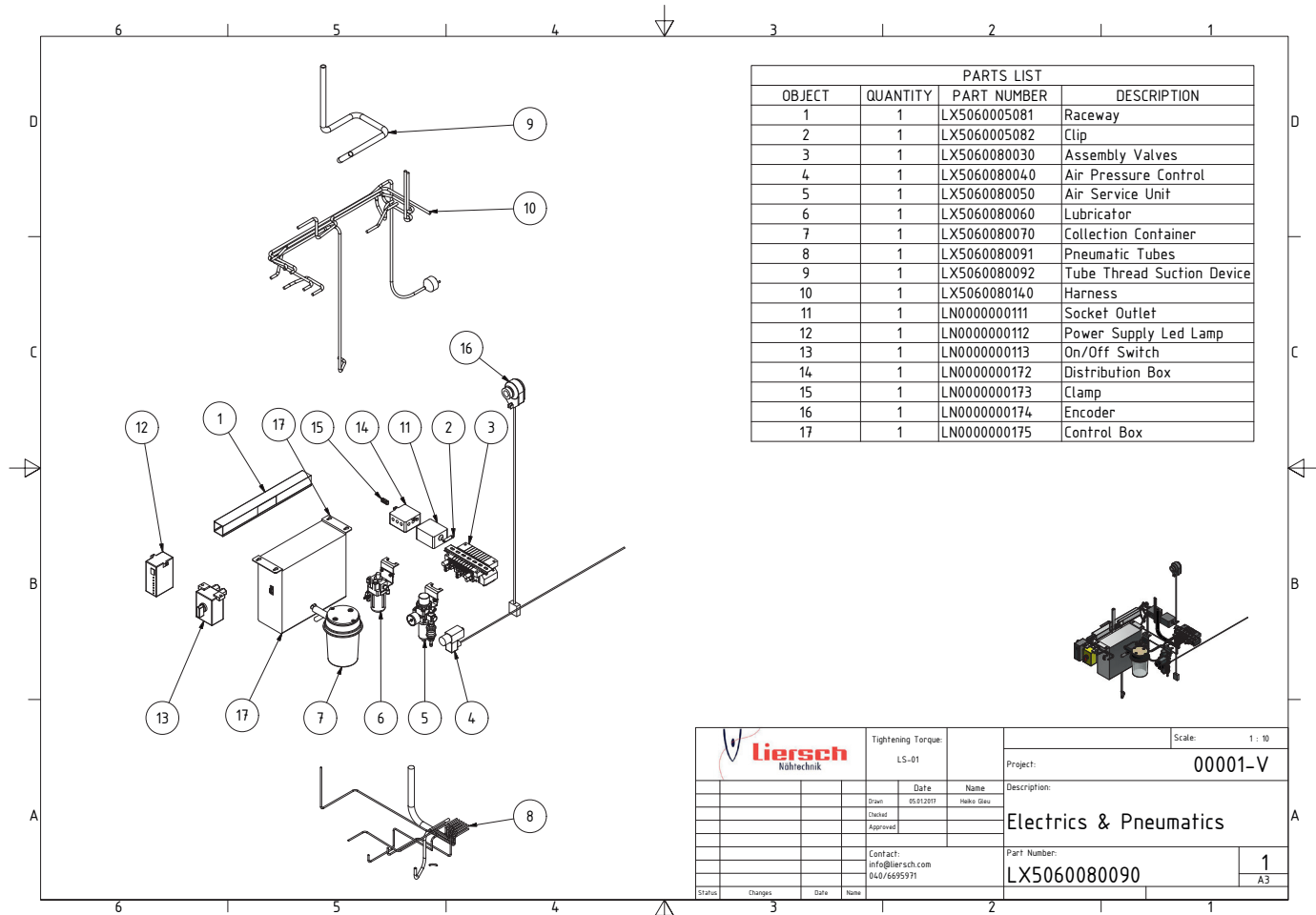
PARTS LIST			
OBJECT	QUANTITY	PART NUMBER	DESCRIPTION
1	1	LX5060080061	Pneumatic Tube
2	1	LN0000000195	Lubricator
3	1	LN0000000196	Bracket
4	2	LN0000000197	Elbow Fitting Male
5	1	LN0000000198	Inline Speed Controller
6	4	DIN 125 - A 4,3	Washer
7	2	DIN 912 - M4 x 12	Cylinder Head Cap Screw
8	2	DIN 934 - M4	Hex Nut

		Tightening Torque:		Scale: 1 : 2	
		LS-01		Project: 00001-I	
		Drawn:	Date:	Description:	
		05.01.2017		Lubricator	
		Checked:	Name:	Part Number:	
		Approved:		LX5060080060	
		Contact:		1	
		info@liersch.com		A3	
		040/6695971			
Status:	Changes:	Date:	Name:		



PARTS LIST			
OBJECT	QUANTITY	PART NUMBER	DESCRIPTION
1	1	LN0000000191	Container
2	1	LN0000000192	Top
3	1	LN0000000193	Foam
4	1	LN0000000194	Elbow Fitting Male

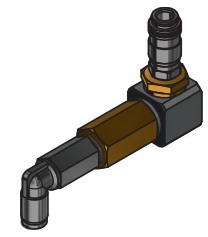
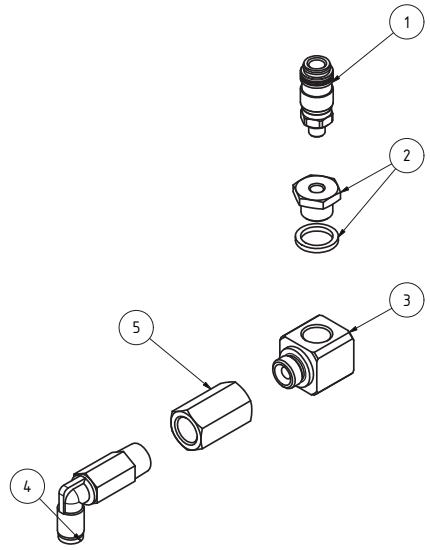
		Tightening Torque:		Scale: 1 : 2	
		LS-01		Project: 00001-I	
		Date	Name	Description: Collection Container	
		Drawn: 05.01.2017	Halle Glau		
		Checked:			
		Approved:			
		Contact: info@liersch.com 040/6695971		Part Number: LX5060080070	
Status	Changes	Date	Name	1 A3	



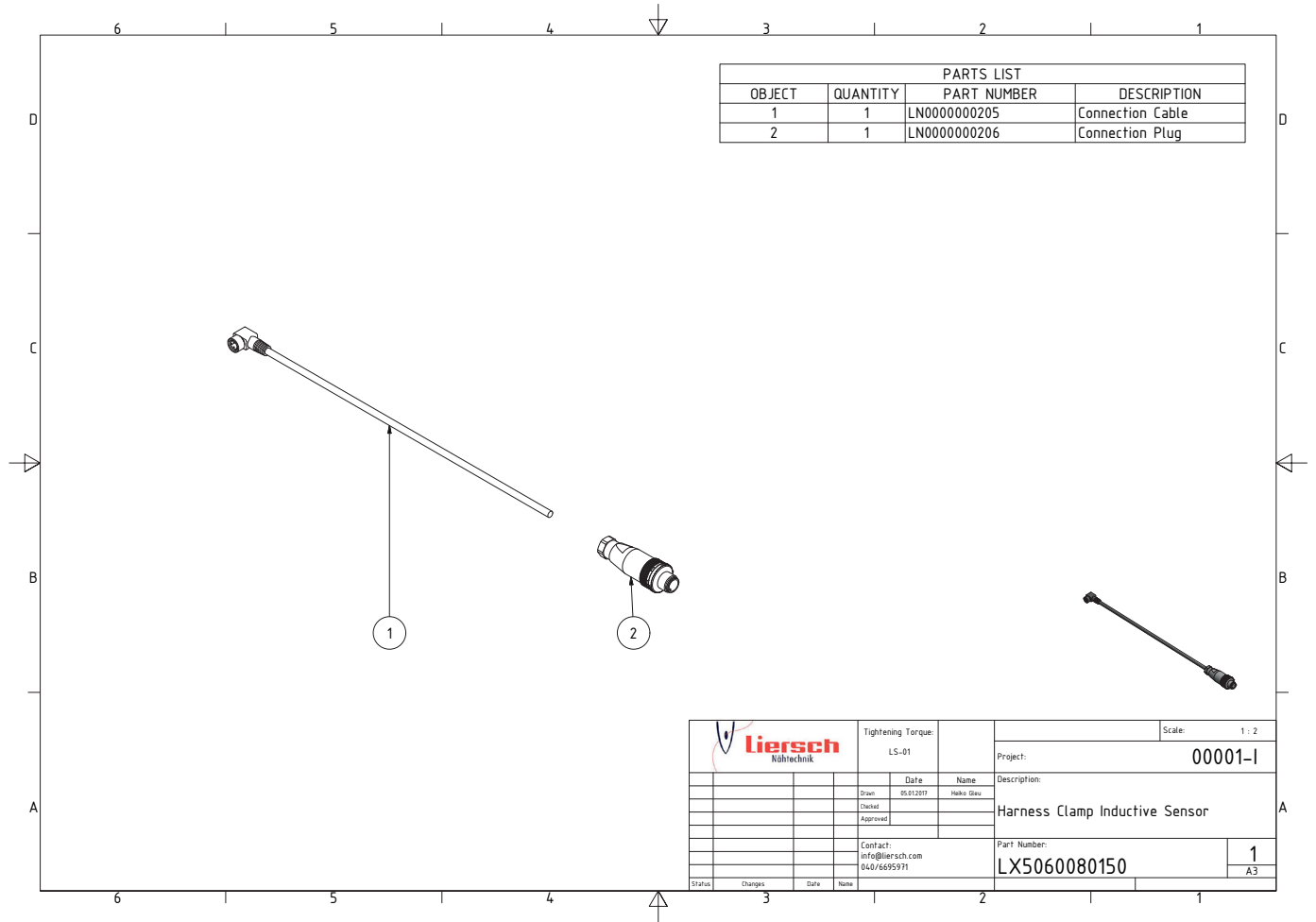
PARTS LIST			
OBJECT	QUANTITY	PART NUMBER	DESCRIPTION
1	1	LX506005081	Raceway
2	1	LX506005082	Clip
3	1	LX5060080030	Assembly Valves
4	1	LX5060080040	Air Pressure Control
5	1	LX5060080050	Air Service Unit
6	1	LX5060080060	Lubricator
7	1	LX5060080070	Collection Container
8	1	LX5060080091	Pneumatic Tubes
9	1	LX5060080092	Tube Thread Suction Device
10	1	LX5060080140	Harness
11	1	LN0000001111	Socket Outlet
12	1	LN0000000112	Power Supply Led Lamp
13	1	LN0000000113	On/Off Switch
14	1	LN0000000172	Distribution Box
15	1	LN0000000173	Clamp
16	1	LN0000000174	Encoder
17	1	LN0000000175	Control Box

		Tightening Torque:		Scale: 1 : 10	
		LS-01		Project: 00001-V	
		Drawn:	Date:	Name:	Description:
		Checked:	05.01.2017	Hilke Glau	Electrics & Pneumatics
		Approved:			
		Contact:		Part Number:	
		info@liersch.com		LX5060080090	
		040/6695971		1	
Status:	Changes:	Date:	Name:	A3	

PARTS LIST			
OBJECT	QUANTITY	PART NUMBER	DESCRIPTION
1	1	LN0000000047	Quick Coupling
2	1	LN0000000072	Reducing Nipple
3	1	LN0000000073	Elbow fitting
4	1	LN0000000086	Elbow Fitting Male
5	1	LN0000000075	Sleeve

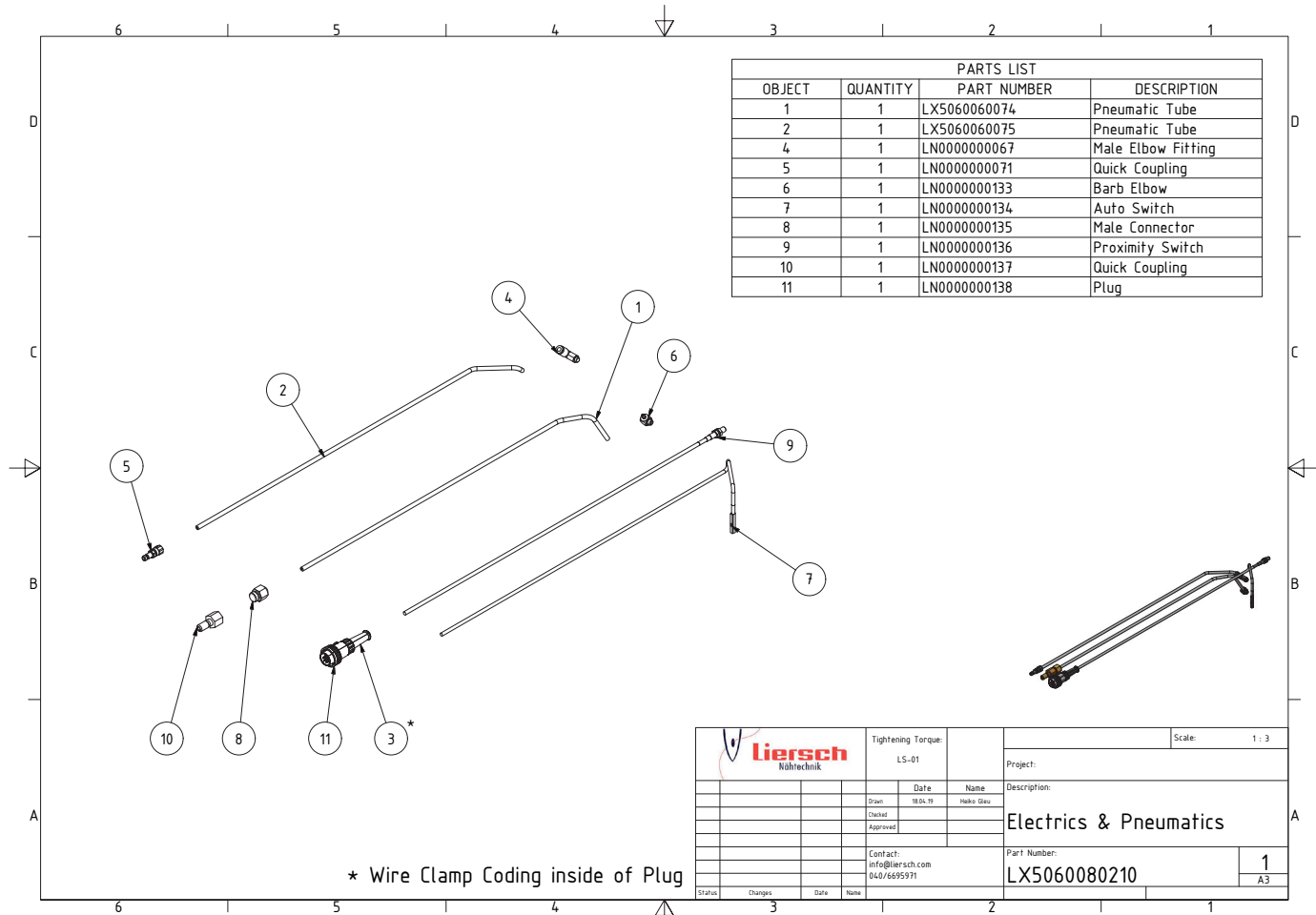


		Tightening Torque:		Scale: 1 : 1	
		LS-01		Project: 00001-I	
		Date	Name	Description:	
		Drawn: 05.01.2017	Halle Glau	Air Supply	
		Checked:		Part Number:	
		Approved:		LX5060080130	
		Contact: info@liersch.com 040/6695971		1	
Status	Changes	Date	Name	A3	



PARTS LIST			
OBJECT	QUANTITY	PART NUMBER	DESCRIPTION
1	1	LN0000000205	Connection Cable
2	1	LN0000000206	Connection Plug

		Tightening Torque:		Scale: 1 : 2	
		LS-01		Project: 00001-I	
		Date	Name	Description: Harness Clamp Inductive Sensor	
		Drawn: 05.01.2017	Hilke Glau		
		Checked:			
		Approved:			
		Contact: info@liersch.com 040/6695971		Part Number: LX5060080150	
Status	Changes	Date	Name	1 A3	

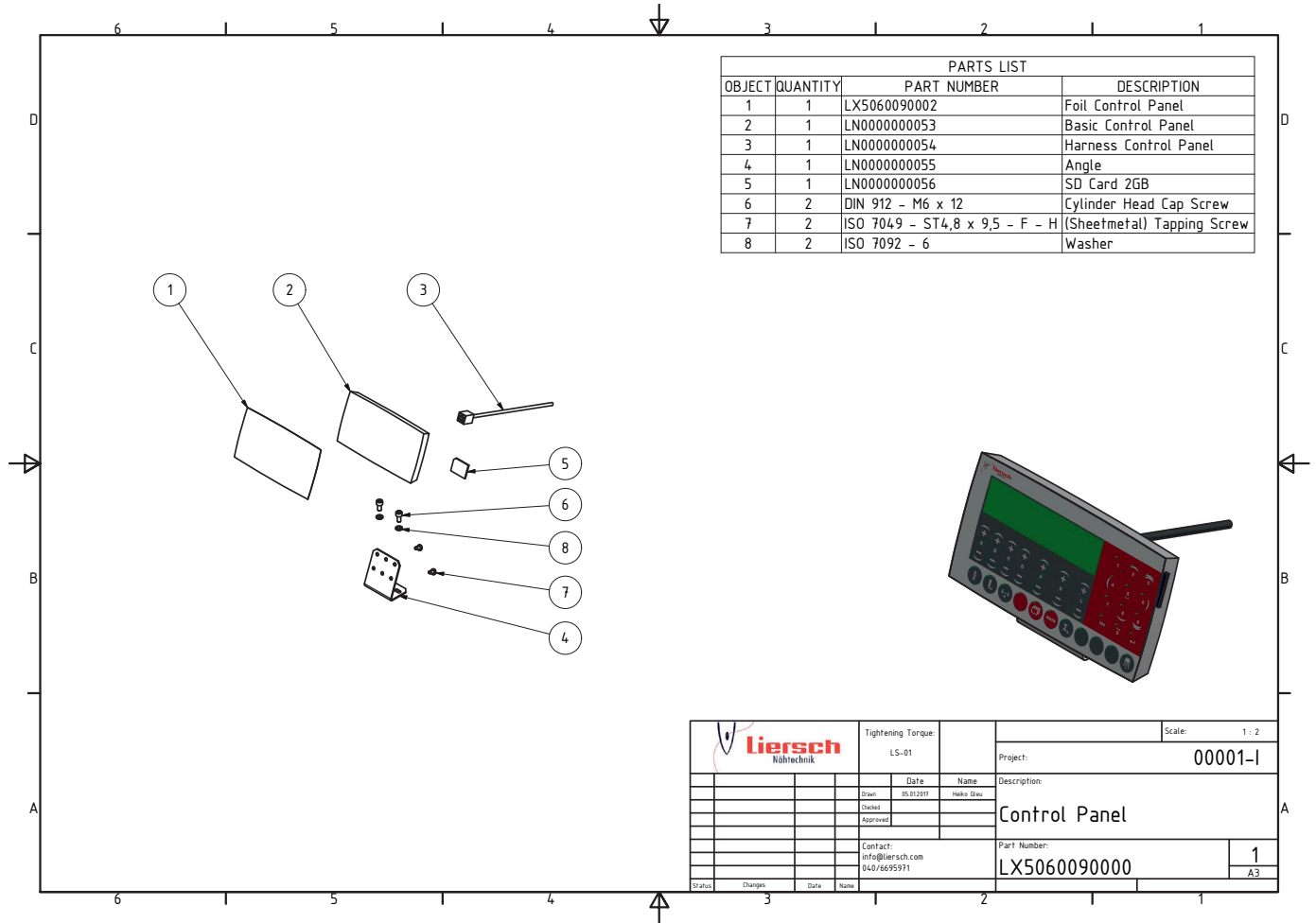


PARTS LIST			
OBJECT	QUANTITY	PART NUMBER	DESCRIPTION
1	1	LX5060060074	Pneumatic Tube
2	1	LX5060060075	Pneumatic Tube
4	1	LN0000000067	Male Elbow Fitting
5	1	LN0000000071	Quick Coupling
6	1	LN0000000133	Barb Elbow
7	1	LN0000000134	Auto Switch
8	1	LN0000000135	Male Connector
9	1	LN0000000136	Proximity Switch
10	1	LN0000000137	Quick Coupling
11	1	LN0000000138	Plug

\* Wire Clamp Coding inside of Plug

		Tightening Torque:		Scale: 1 : 3	
		LS-01		Project:	
		Date	Name	Description:	
		Drawn	18.04.19	Hilke Glau	
		Checked			
		Approved			
		Contact:		Part Number:	
		info@liersch.com		LX5060080210	
		040/6695971		1	
Status	Changes	Date	Name	A3	



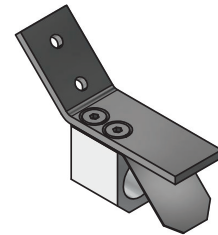
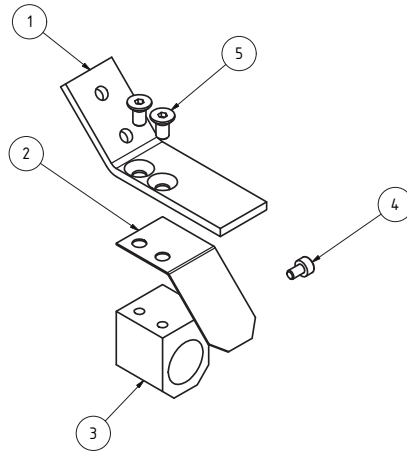



PARTS LIST			
OBJECT	QUANTITY	PART NUMBER	DESCRIPTION
1	1	LX5060090002	Foil Control Panel
2	1	LN0000000053	Basic Control Panel
3	1	LN0000000054	Harness Control Panel
4	1	LN0000000055	Angle
5	1	LN0000000056	SD Card 2GB
6	2	DIN 912 - M6 x 12	Cylinder Head Cap Screw
7	2	ISO 7049 - ST4,8 x 9,5 - F - H	(Sheetmetal) Tapping Screw
8	2	ISO 7092 - 6	Washer

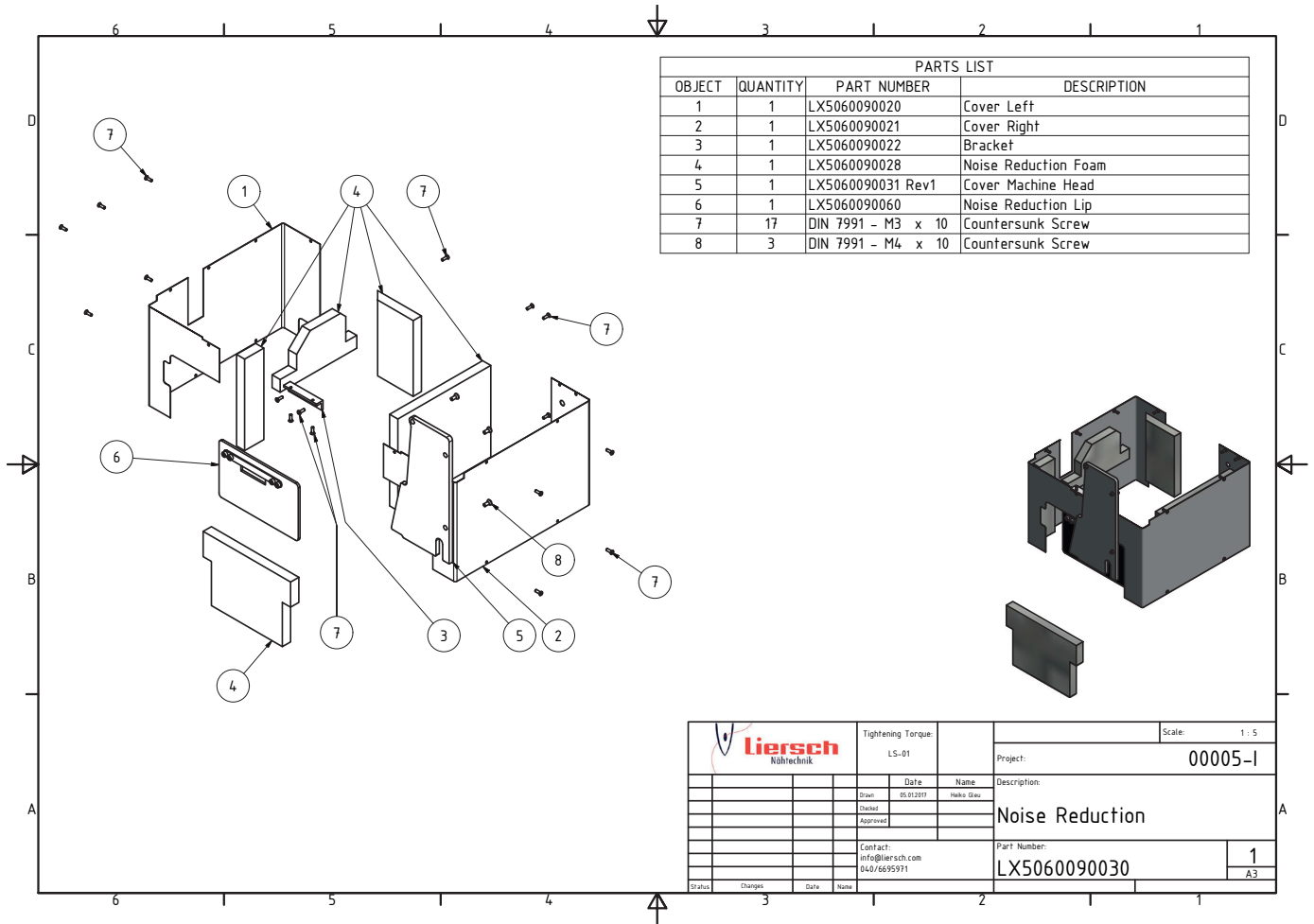


		Tightening Torque:		Scale: 1 : 2	
		LS-01		Project: 00001-I	
		Drawn:	Date:	Description:	
		05.01.2017		Control Panel	
		Checked:	Name:	Part Number:	
		Approved:		LX5060090000	
		Contact:		1	
		info@liersch.com		A3	
		040/6695971			
Status:	Changes:	Date:	Name:		

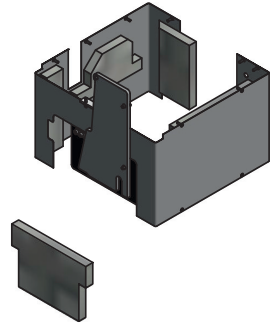
PARTS LIST			
OBJECT	QUANTITY	PART NUMBER	DESCRIPTION
1	1	LX5060090011	Bracket
2	1	LX5060090012	Reflector
3	1	LX5060090013	Block
4	1	DIN 912 - M3 x 5	Cylinder Head Cap Screw
5	2	DIN 7991 - M4 x 8	Countersunk Screw



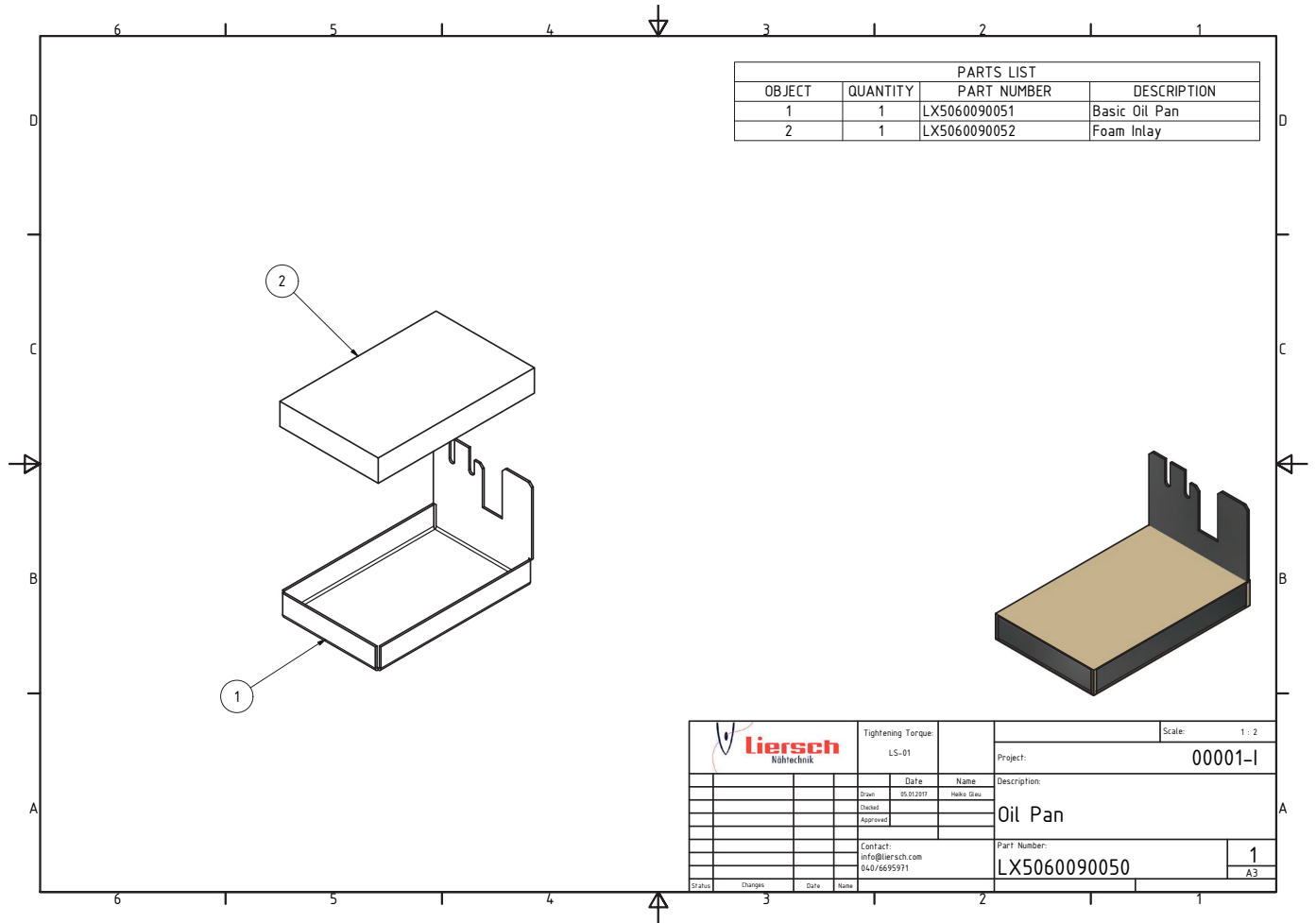
		Tightening Torque:		Scale: 1 : 1	
		LS-01		Project: 00001-I	
		Drawn:	Date:	Description:	
		05.01.2017		Bracket Lamp	
		Checked:	Name:	Part Number:	
		Approved:	Halle Glau	LX5060090010	
		Contact:		1	
		info@liersch.com		A3	
		040/6695971			
Status:	Changes:	Date:	Name:		



PARTS LIST			
OBJECT	QUANTITY	PART NUMBER	DESCRIPTION
1	1	LX5060090020	Cover Left
2	1	LX5060090021	Cover Right
3	1	LX5060090022	Bracket
4	1	LX5060090028	Noise Reduction Foam
5	1	LX5060090031 Rev1	Cover Machine Head
6	1	LX5060090060	Noise Reduction Lip
7	17	DIN 7991 - M3 x 10	Countersunk Screw
8	3	DIN 7991 - M4 x 10	Countersunk Screw

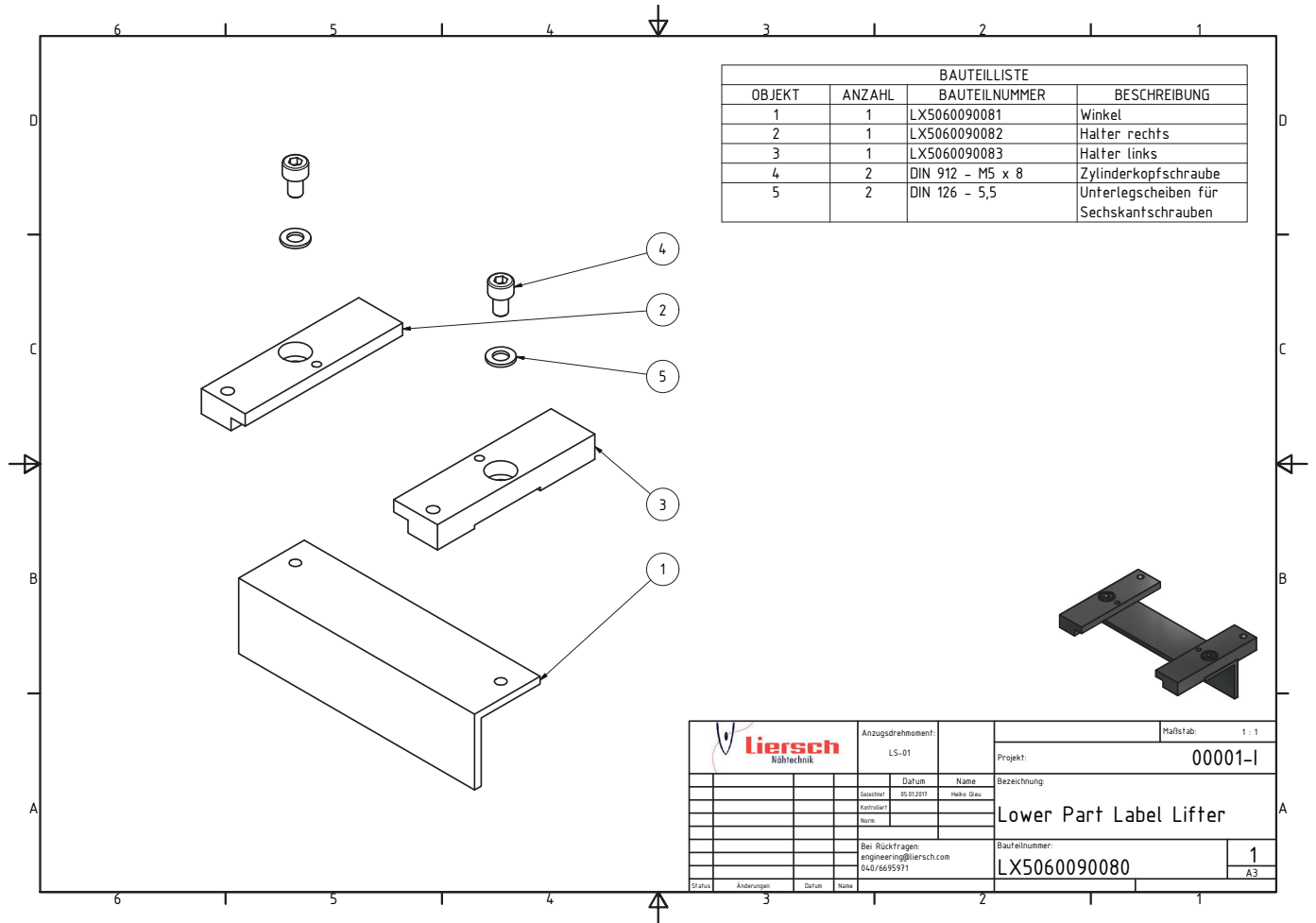


		Tightening Torque:		Scale: 1 : 5	
		LS-01		Project: 00005-I	
		Drawn:	Date:	Name:	Description:
		05.01.2017		Halle Glau	Noise Reduction
		Checked:			
		Approved:			
		Contact:	Part Number:		
		info@liersch.com	LX5060090030		1
		040/6695971			A3
Status:	Changes:	Date:	Name:		



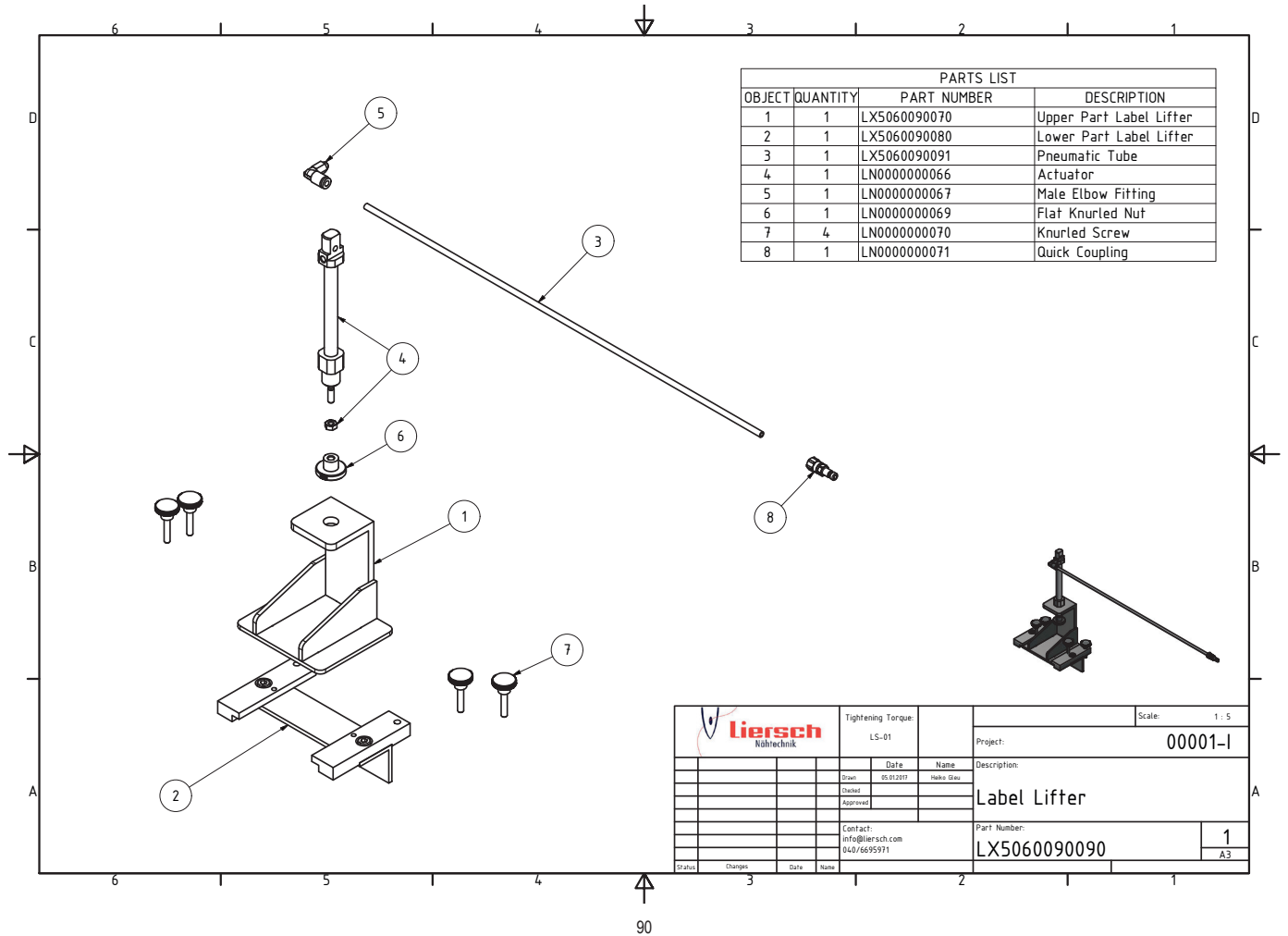
PARTS LIST			
OBJECT	QUANTITY	PART NUMBER	DESCRIPTION
1	1	LX5060090051	Basic Oil Pan
2	1	LX5060090052	Foam Inlay

		Tightening Torque:		Scale: 1 : 2	
		LS-01		Project: 00001-I	
		Date	Name	Description: Oil Pan	
		Drawn: 05.01.2017	Halle Glau		
		Checked:			
		Approved:			
		Contact:	Part Number:	1	
		info@liersch.com	LX5060090050	A3	
		040/6695971			
Status	Changes	Date	Name		



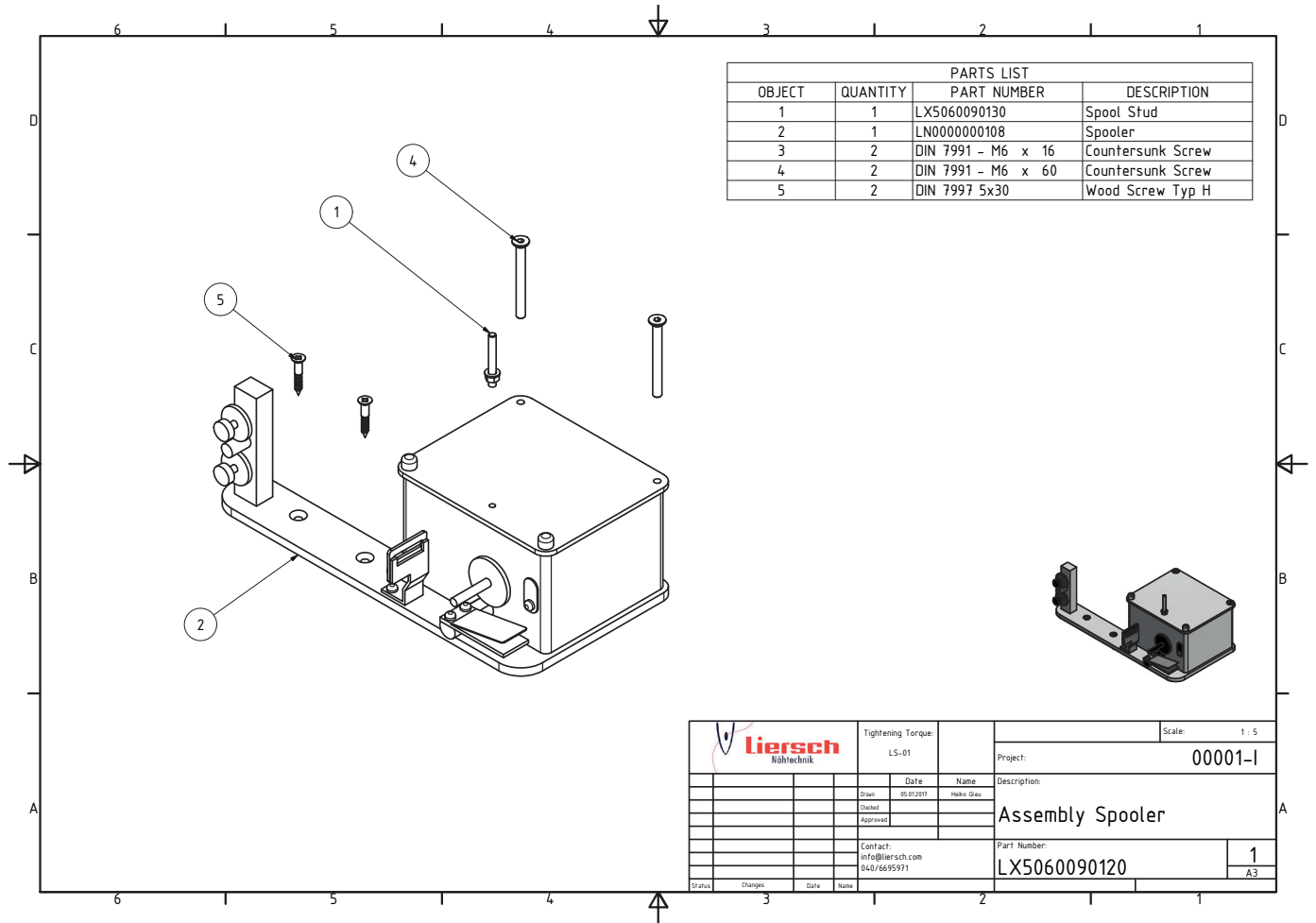
BAUTEILLISTE			
OBJEKT	ANZAHL	BAUTEILNUMMER	BESCHREIBUNG
1	1	LX5060090081	Winkel
2	1	LX5060090082	Halter rechts
3	1	LX5060090083	Halter links
4	2	DIN 912 - M5 x 8	Zylinderkopfschraube
5	2	DIN 126 - 5,5	Unterlegscheiben für Sechskantschrauben

		Anzugsdrehmoment:		Maßstab: 1 : 1	
		LS-01		Projekt: 00001-I	
		Datum	Name	Bezeichnung:	
		05.01.2017	Hilke Glau	Lower Part Label Lifter	
		Kontrolliert			
		Freigegeben			
		Bei Rückfragen:		Bauteilnummer:	
		engineering@liersch.com		LX5060090080	
		040/6695971		1	
Status	Änderungen	Datum	Name	A3	



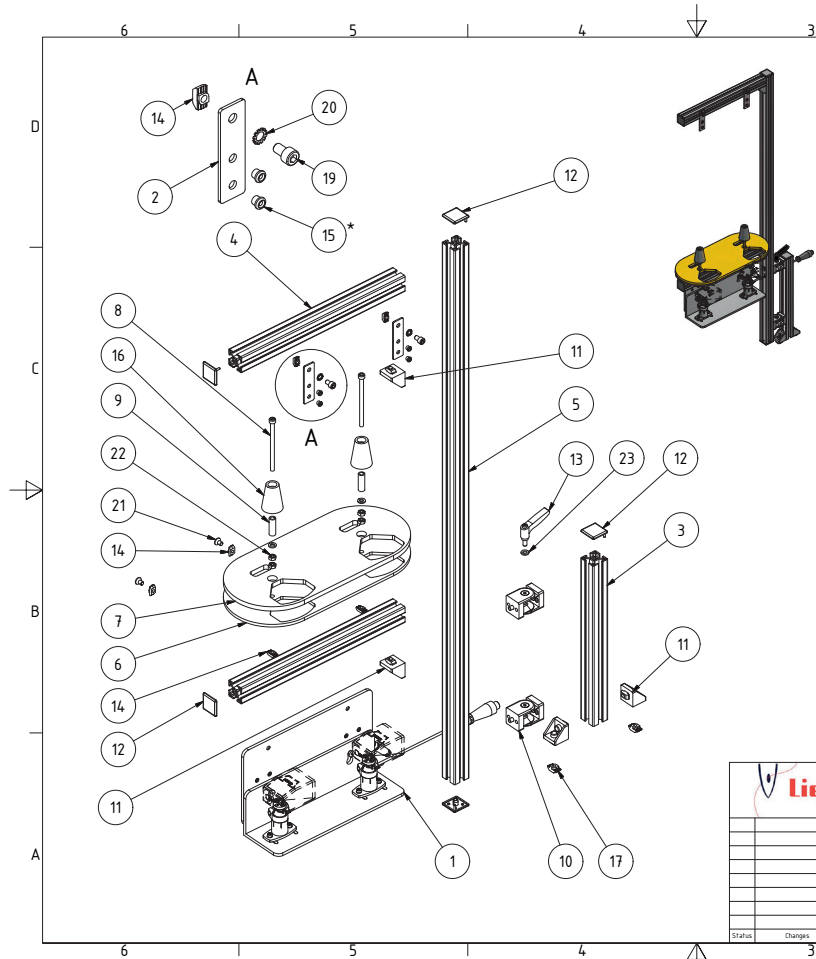
PARTS LIST			
OBJECT	QUANTITY	PART NUMBER	DESCRIPTION
1	1	LX5060090070	Upper Part Label Lifter
2	1	LX5060090080	Lower Part Label Lifter
3	1	LX5060090091	Pneumatic Tube
4	1	LN0000000066	Actuator
5	1	LN0000000067	Male Elbow Fitting
6	1	LN0000000069	Flat Knurled Nut
7	4	LN0000000070	Knurled Screw
8	1	LN0000000071	Quick Coupling

		Tightening Torque:		Scale: 1 : 5	
		LS-01		Project: 00001-I	
		Drawn:	Date:	Description:	
		Checked:	05.01.2017	Label Lifter	
		Approved:	Halle Glau	Part Number:	
		Contact:	info@liersch.com	LX5060090090	
		040/6695971		1	
Status:	Changes:	Date:	Name:	A3	



PARTS LIST			
OBJECT	QUANTITY	PART NUMBER	DESCRIPTION
1	1	LX5060090130	Spool Stud
2	1	LN0000000108	Spooler
3	2	DIN 7991 - M6 x 16	Countersunk Screw
4	2	DIN 7991 - M6 x 60	Countersunk Screw
5	2	DIN 7997 5x30	Wood Screw Typ H

		Tightening Torque:		Scale: 1 : 5	
		LS-01		Project: 00001-I	
		Drawn:	Date:	Name:	Description:
		05.01.2017		Halle Glau	Assembly Spooler
		Checked:			
		Approved:			
		Contact:	Part Number:		
		info@liersch.com	LX5060090120		1
		040/6695971			A3
Status:	Changes:	Date:	Name:		



PARTS LIST			
OBJECT	QUANTITY	PART NUMBER	DESCRIPTION
1	1	LX5060090170	Mounting Scanner
2	2	LX5060090101	Sheet Yarn Guide
3	1	LX5060090102	Aluminium Strut
4	2	LX5060090103	Aluminium Strut
5	1	LX5060090104	Aluminium Strut
6	1	LX5060090161	Base Plate
7	1	LX5060090163	Supporting Foam
8	2	LX5060090164	Spacer Screw
9	2	LX5060090165	Spacer
10	2	LN0000000078	Strut Profile Joint Clamp
11	4	LN0000000079	Strut Profil Angle Bracket
12	5	LN0000000080	End Cap
13	1	LN0000000081	Clamp Lever
14	6	LN0000000082	T-Slot Nut N8 M6
15	4	LN0000000083	Ceramic Yarn Guide
16	2	LN0000000084	Centering Cone
17	2	LN0000000139	T-Slot Nut N10 M8
18	2	DIN 125 - A 6,4	Washer
19	2	DIN 912 - M6 x 10	Cylinder Head Cap Screw
20	2	DIN 6798 - A 6,4	Serrated Lock Washer
21	2	DIN 7991 - M6 x 10	Countersunk Screw
22	4	ISO 4032 - M6	Hex Nut
23	1	ISO 7091 - 6	Plain washers

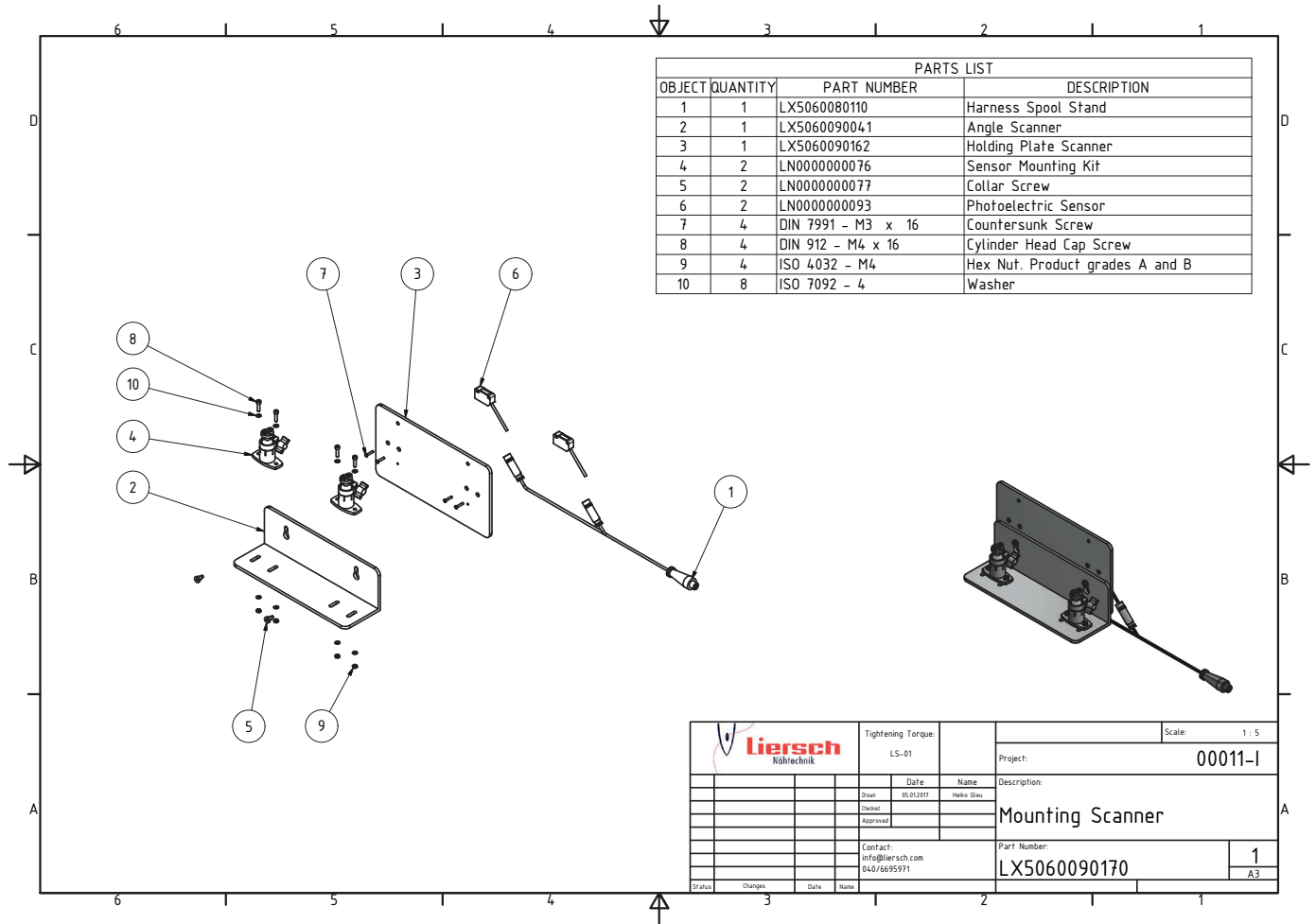
Production:  
\*1 use adhesive

Scale: 1 : 10

Project: 00001-I

	Tightening Torque:		LS-01		Project:		00001-I	
	Drawn:	Date:	Name:	Description:				
	Drawn:	Date:	Name:	Spool Stand				
	Checked:	Date:	Name:	Part Number:				
Approved:	Date:	Name:	LX5060090160					
Contact:	info@liersch.com		040/6695971		Part Number:		1	
Status:	Changes:	Date:	Name:	Part Number:		A3		

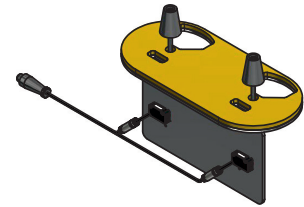
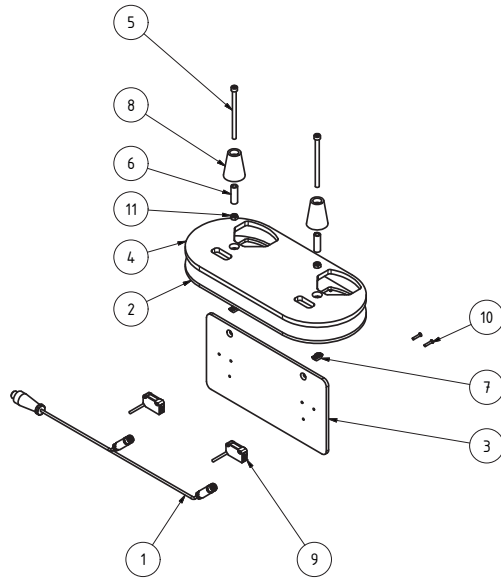




PARTS LIST			
OBJECT	QUANTITY	PART NUMBER	DESCRIPTION
1	1	LX5060080110	Harness Spool Stand
2	1	LX5060090041	Angle Scanner
3	1	LX5060090162	Holding Plate Scanner
4	2	LN0000000076	Sensor Mounting Kit
5	2	LN0000000077	Collar Screw
6	2	LN0000000093	Photoelectric Sensor
7	4	DIN 7991 - M3 x 16	Countersunk Screw
8	4	DIN 912 - M4 x 16	Cylinder Head Cap Screw
9	4	ISO 4032 - M4	Hex Nut, Product grades A and B
10	8	ISO 7092 - 4	Washer

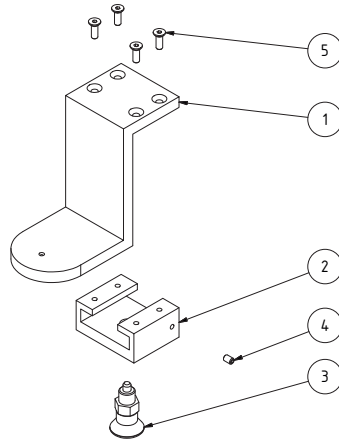
		Tightening Torque:		Scale: 1 : 5	
		LS-01		Project: 00011-I	
		Drawn:	Date:	Name:	Description:
		Checked:	05.01.2017	Halle Glau	Mounting Scanner
		Approved:			
		Contact:	Part Number:		
		info@liersch.com	LX5060090170		1
		040/6695971			A3
Status:	Changes:	Date:	Name:		

PARTS LIST			
OBJECT	QUANTITY	PART NUMBER	DESCRIPTION
1	1	LX5060080110	Harness Spool Stand
2	1	LX5060090161	Base Plate
3	1	LX5060090162	Holding Plate Scanner
4	1	LX5060090163	Supporting Foam
5	2	LX5060090164	Spacer Screw
6	2	LX5060090165	Spacer
7	2	LN0000000082	T-Slot Nut
8	2	LN0000000084	Centering Cone
9	2	LN0000000093	Photoelectric Sensor
10	4	DIN 7991 - M3 x 16	Countersunk Screw
11	2	ISO 4032 - M6	Hex Nut. Product grades A and B

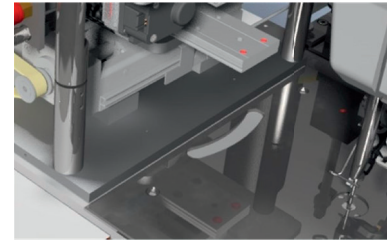
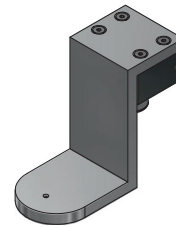


		Tightening Torque:		Scale: 1 : 5	
		LS-01		Project: 00011-I	
		Drawn:	Date:	Name:	Description: <b>Conversion Kit Spool Stand</b>
		05.01.2017		Halle G10	
		Checked:			
		Approved:			
		Contact:	Part Number:		
		info@liersch.com	LX5060090180		1
		040/6695971			A3
Status:	Changes:	Date:	Name:		

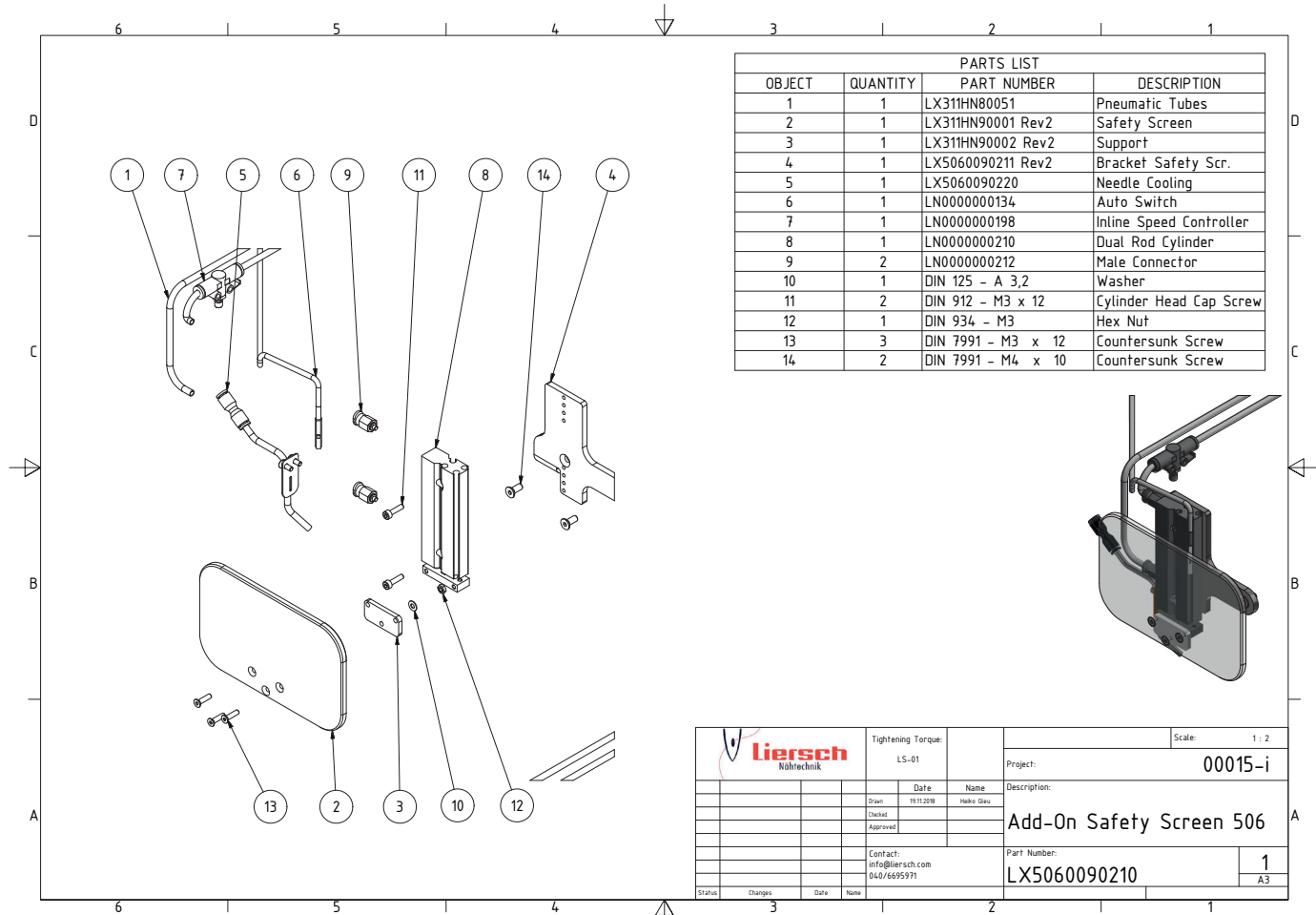
PARTS LIST			
OBJECT	QUANTITY	PART NUMBER	DESCRIPTION
1	1	LX5060090004	Reference Bracket
2	1	LX5060060008	Guiding Support
3	1	LN0000000032	Indexing Plunger
4	1	DIN 913 - M4 x 6	Hexagon Socket Set Screw
5	4	DIN 7991 - M4 x 12	Countersunk Screw



**Attention:**  
Ensure CNC Drive is parallel to Sewing machine



		Tightening Torque:		Scale: 1 : 2	
		LS-01		Project: 00013-I	
		Drawn:	Date:	Description:	
		Checked:	05.01.2017	Reference Gauge	
		Approved:		Part Number:	
		Contact:	info@liersch.com		1
		040/6695971	LX5060090190		A3
Status:	Changes:	Date:	Name:		



PARTS LIST			
OBJECT	QUANTITY	PART NUMBER	DESCRIPTION
1	1	LX311HN80051	Pneumatic Tubes
2	1	LX311HN90001 Rev2	Safety Screen
3	1	LX311HN90002 Rev2	Support
4	1	LX5060090211 Rev2	Bracket Safety Scr.
5	1	LX5060090220	Needle Cooling
6	1	LN0000000134	Auto Switch
7	1	LN0000000198	Inline Speed Controller
8	1	LN0000000210	Dual Rod Cylinder
9	2	LN0000000212	Male Connector
10	1	DIN 125 - A 3,2	Washer
11	2	DIN 912 - M3 x 12	Cylinder Head Cap Screw
12	1	DIN 934 - M3	Hex Nut
13	3	DIN 7991 - M3 x 12	Countersunk Screw
14	2	DIN 7991 - M4 x 10	Countersunk Screw

		Tightening Torque:		Scale: 1 : 2	
		LS-01		Project: 00015-i	
		Drawn:	Date:	Description:	
		Checked:	19.11.2018	Add-On Safety Screen 506	
		Approved:	Halle Glau	Part Number:	
		Contact:	info@liersch.com	LX5060090210	
			040/6695971	1	
Status:	Changes:	Date:	Name:	A3	

**A. Liersch GmbH**  
Rögen 48 · 23843 Bad Oldesloe

Fon: +49 (0) 4531-168770 · Fax: +49 (0) 4531-1687729  
E-Mail: [info@liersch.com](mailto:info@liersch.com) · [www.liersch.com](http://www.liersch.com)

---